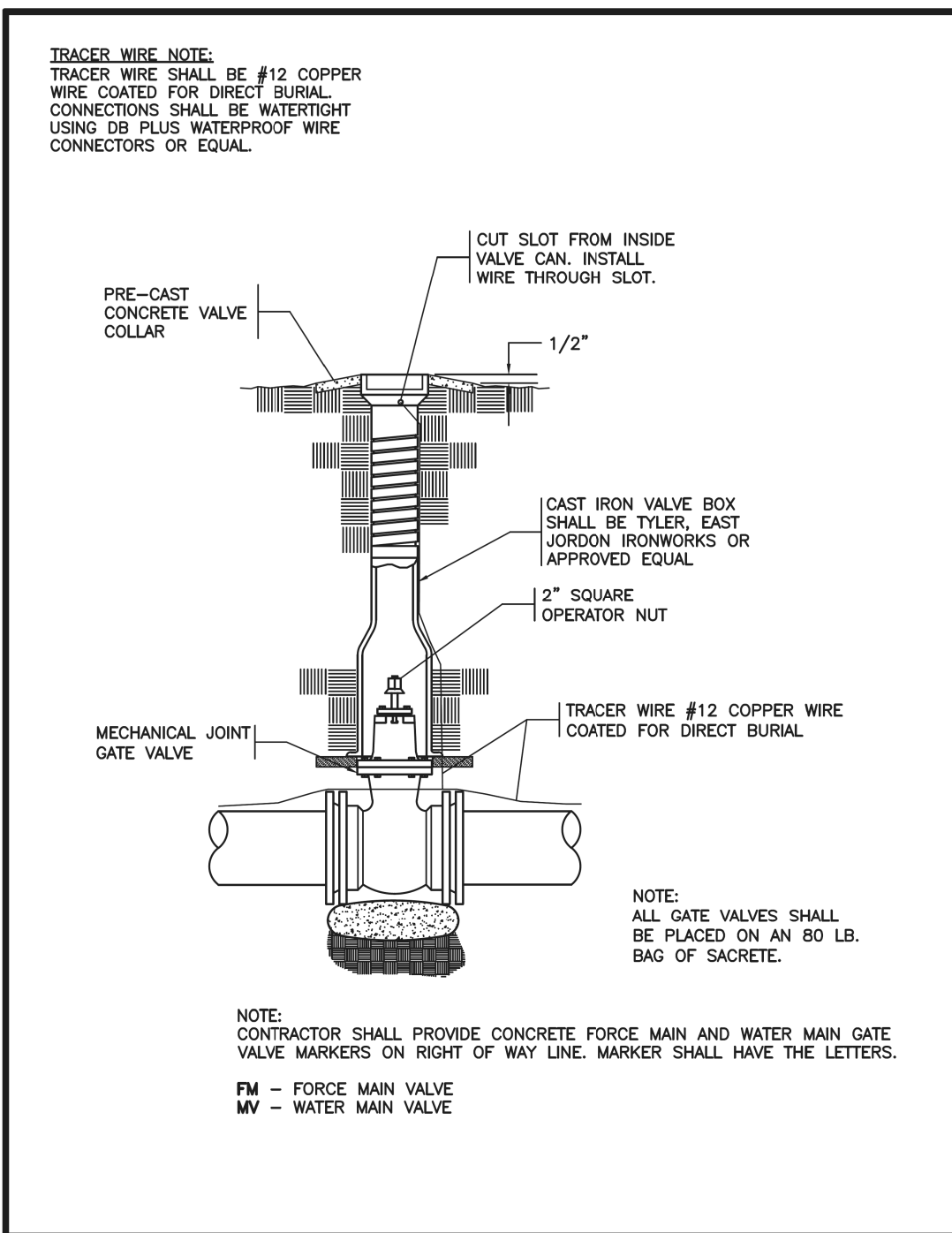
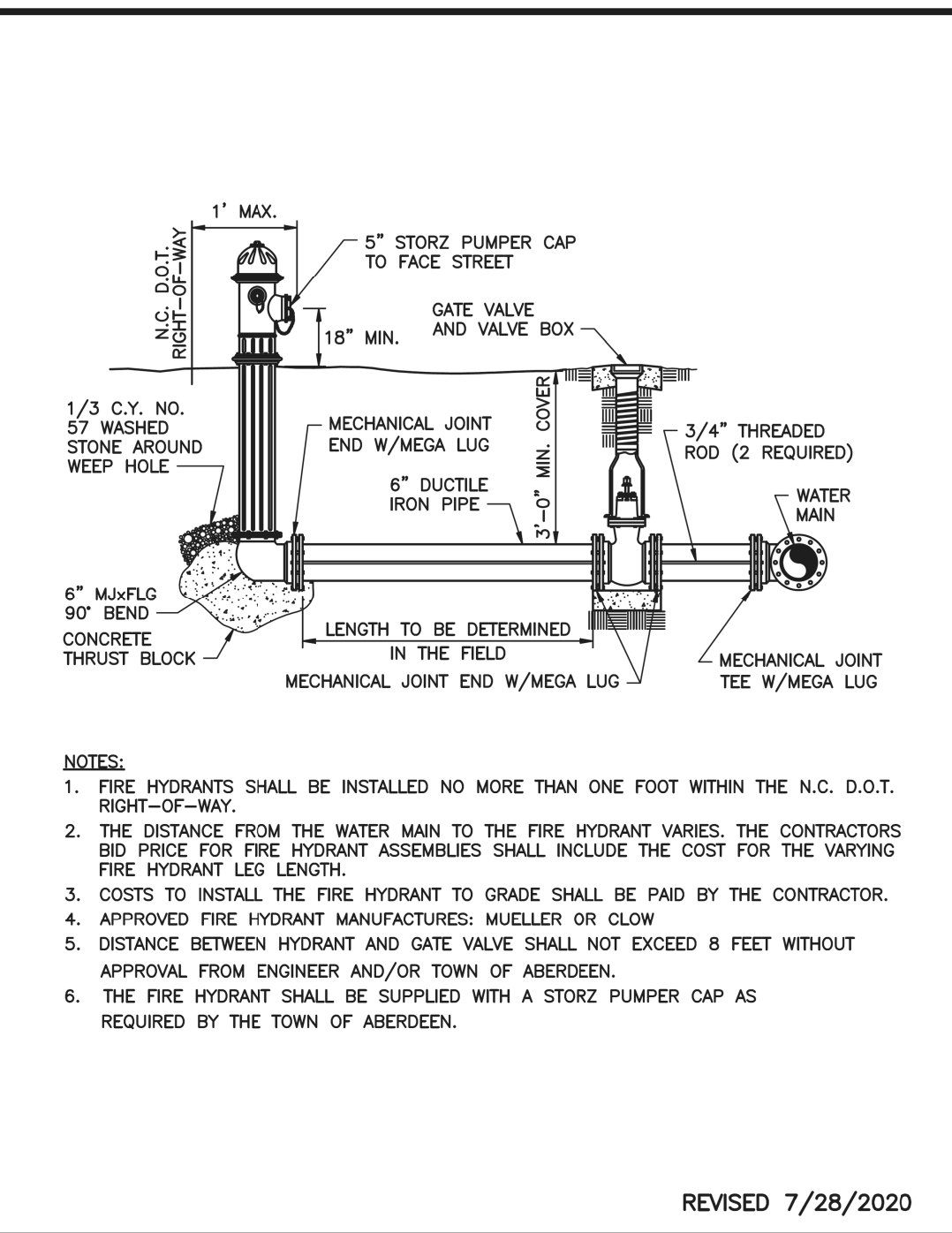


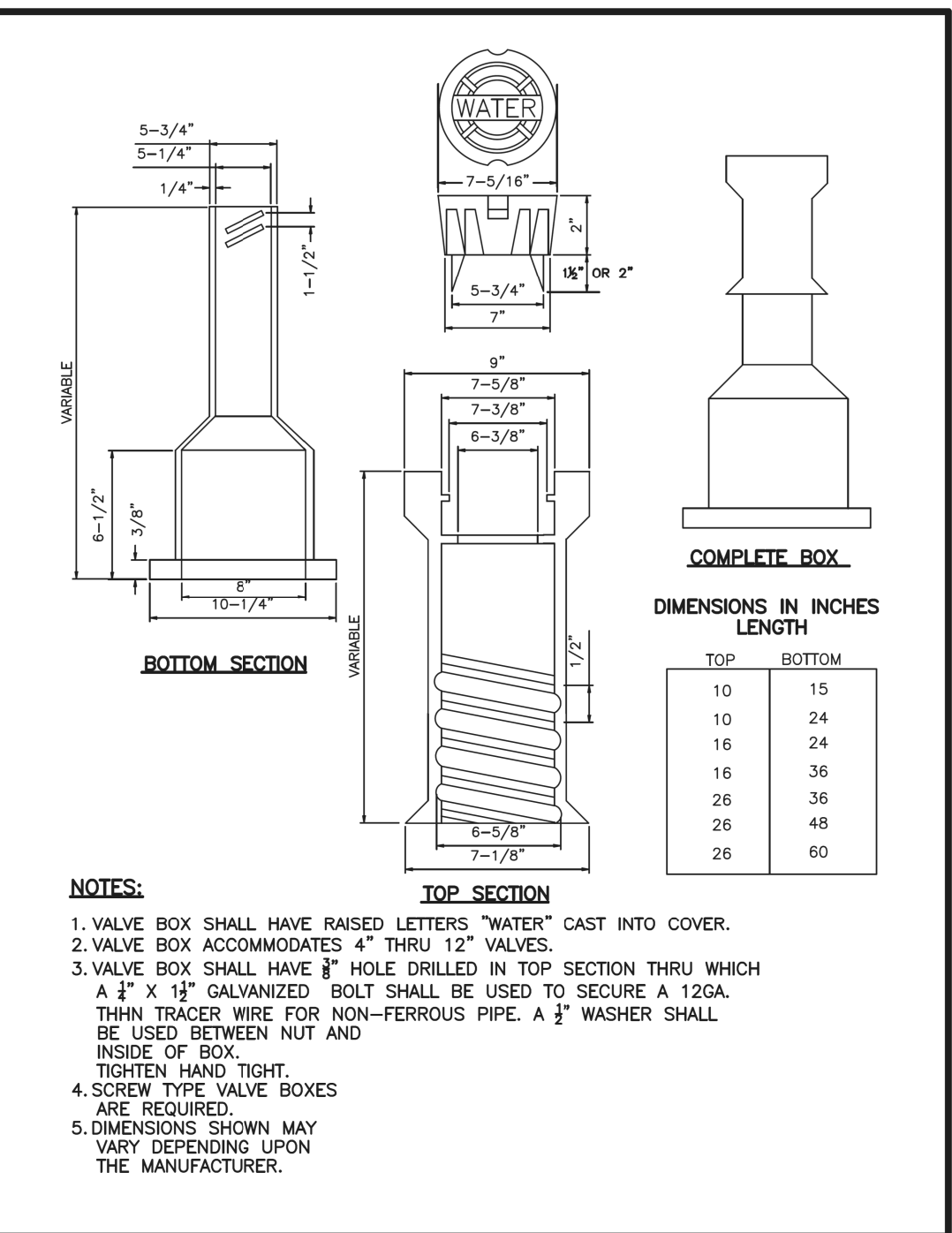
UTILITY CONSTRUCTION



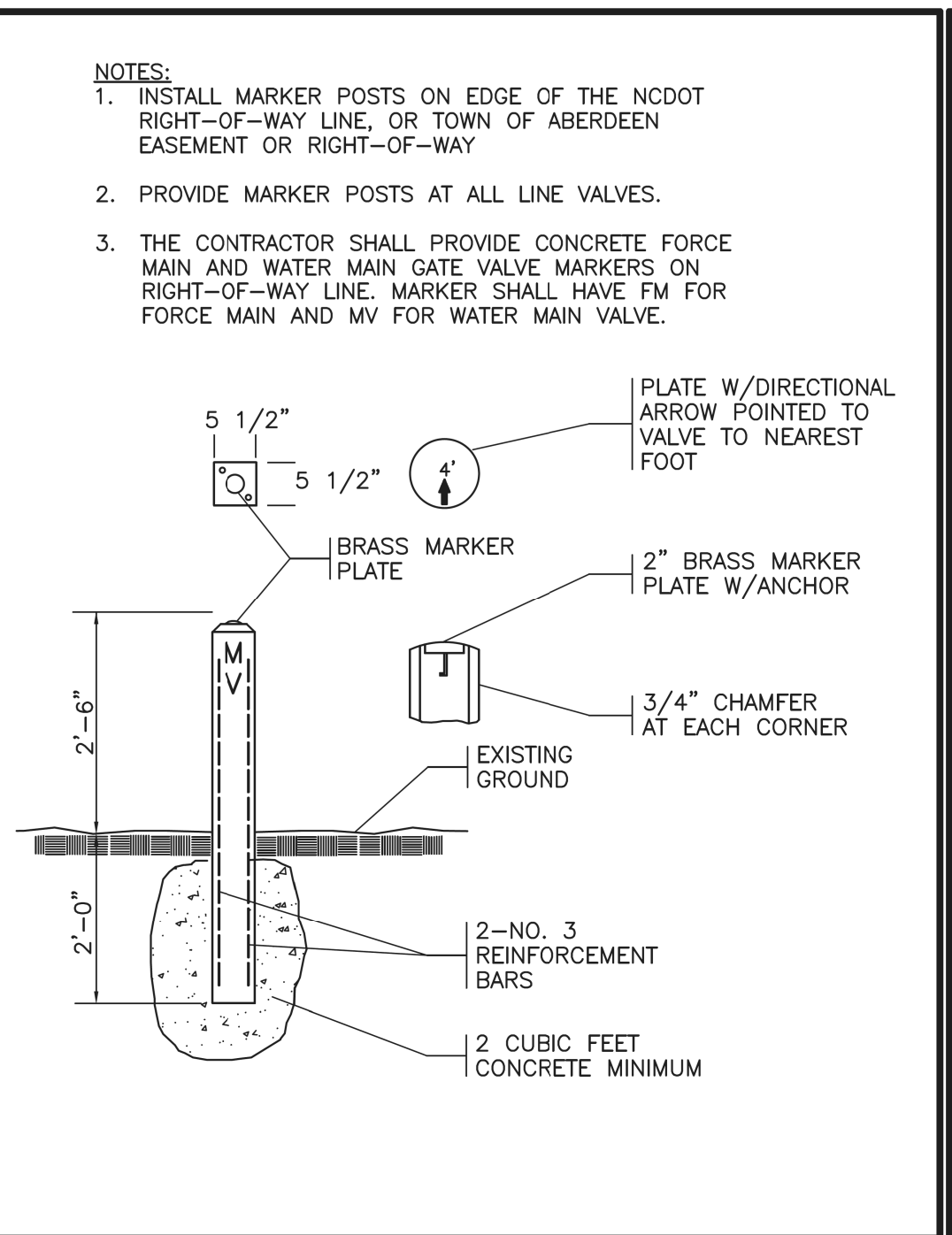
WATER SYSTEM DETAILS FOR THE TOWN OF ABERDEEN, MOORE COUNTY, NORTH CAROLINA
 Gate Valve Assembly W.1



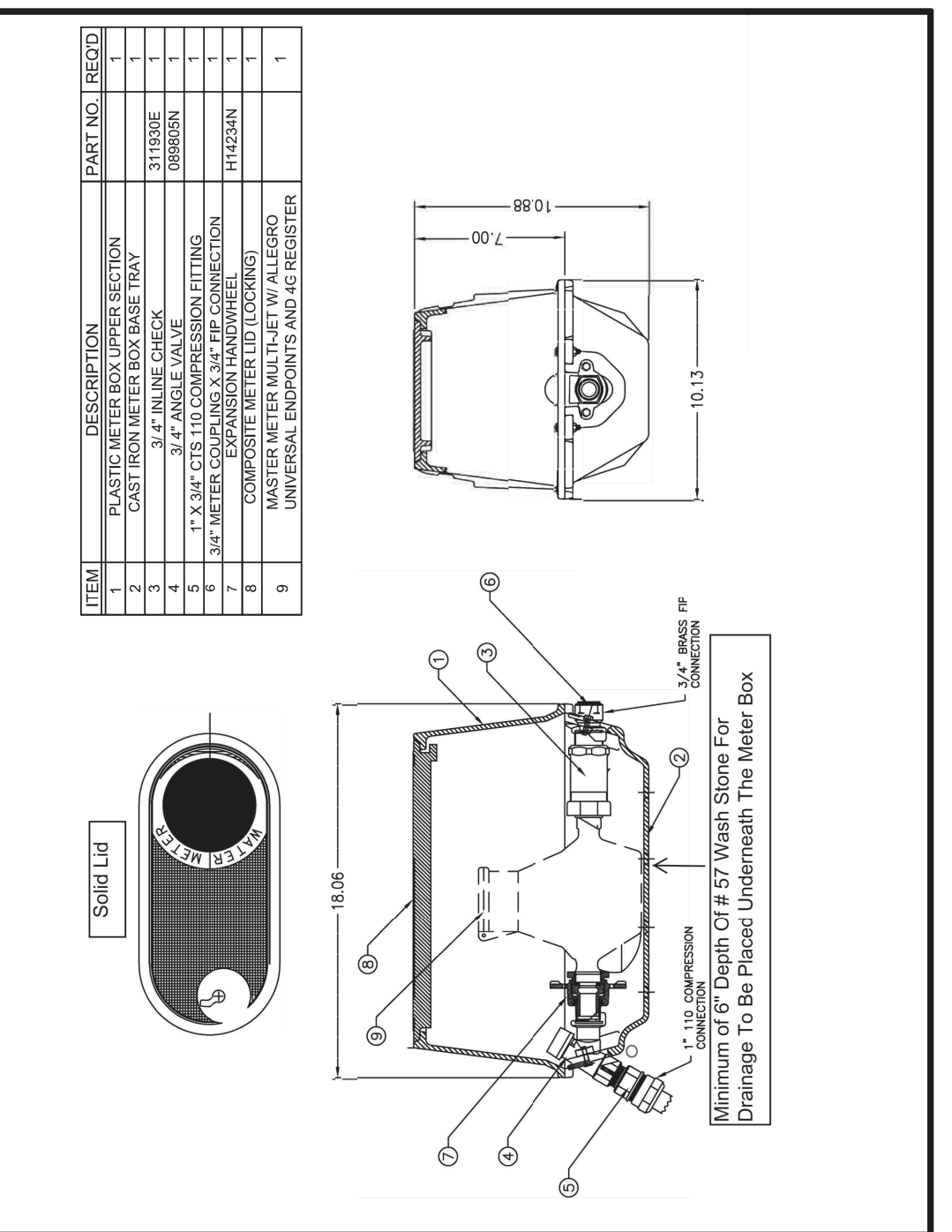
WATER SYSTEM DETAILS FOR THE TOWN OF ABERDEEN, MOORE COUNTY, NORTH CAROLINA
 Fire Hydrant And Valve Detail W.2



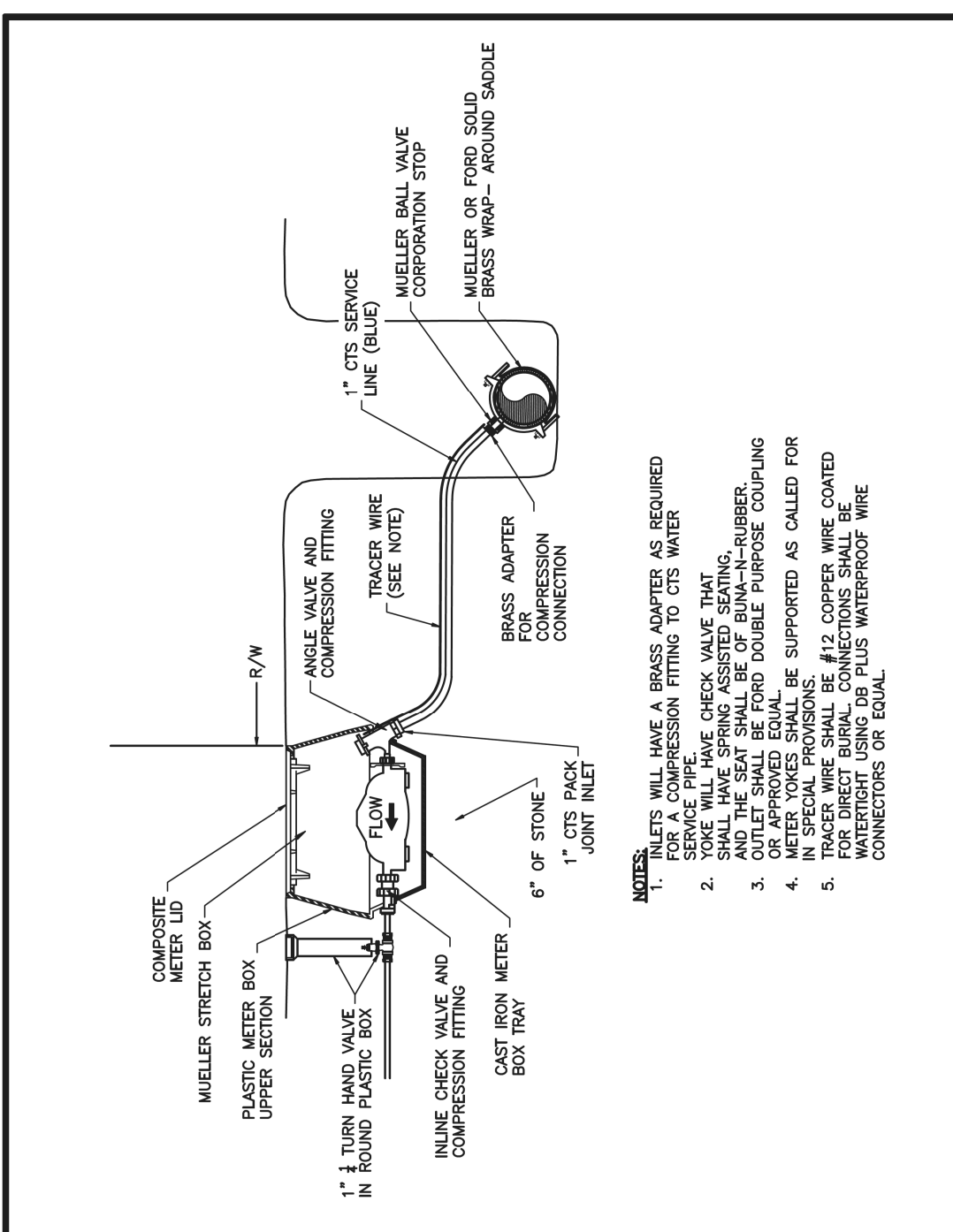
WATER SYSTEM DETAILS FOR THE TOWN OF ABERDEEN, MOORE COUNTY, NORTH CAROLINA
 Valve Box Detail W.3



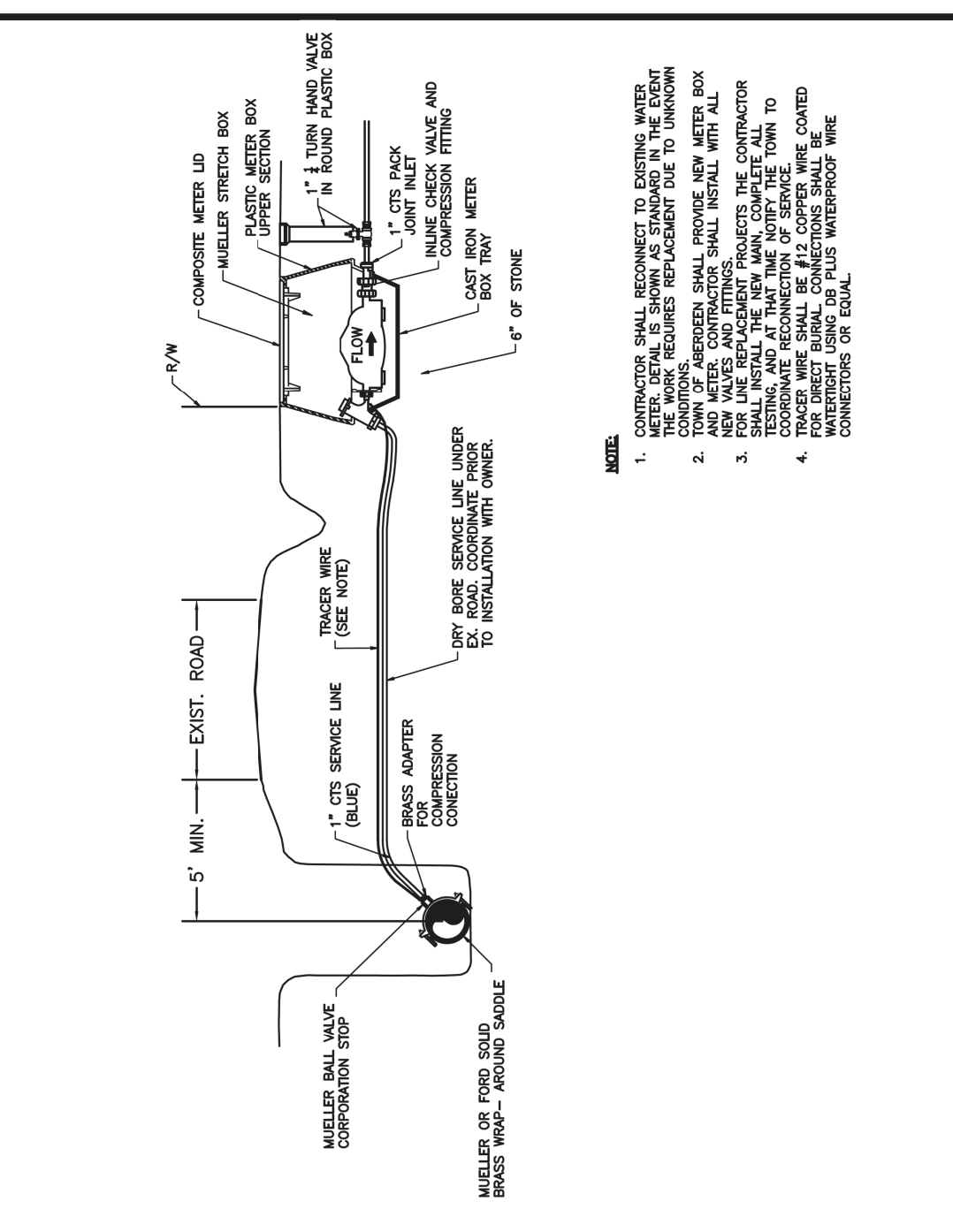
WATER SYSTEM DETAILS FOR THE TOWN OF ABERDEEN, MOORE COUNTY, NORTH CAROLINA
 Valve Marker Post Detail W.4



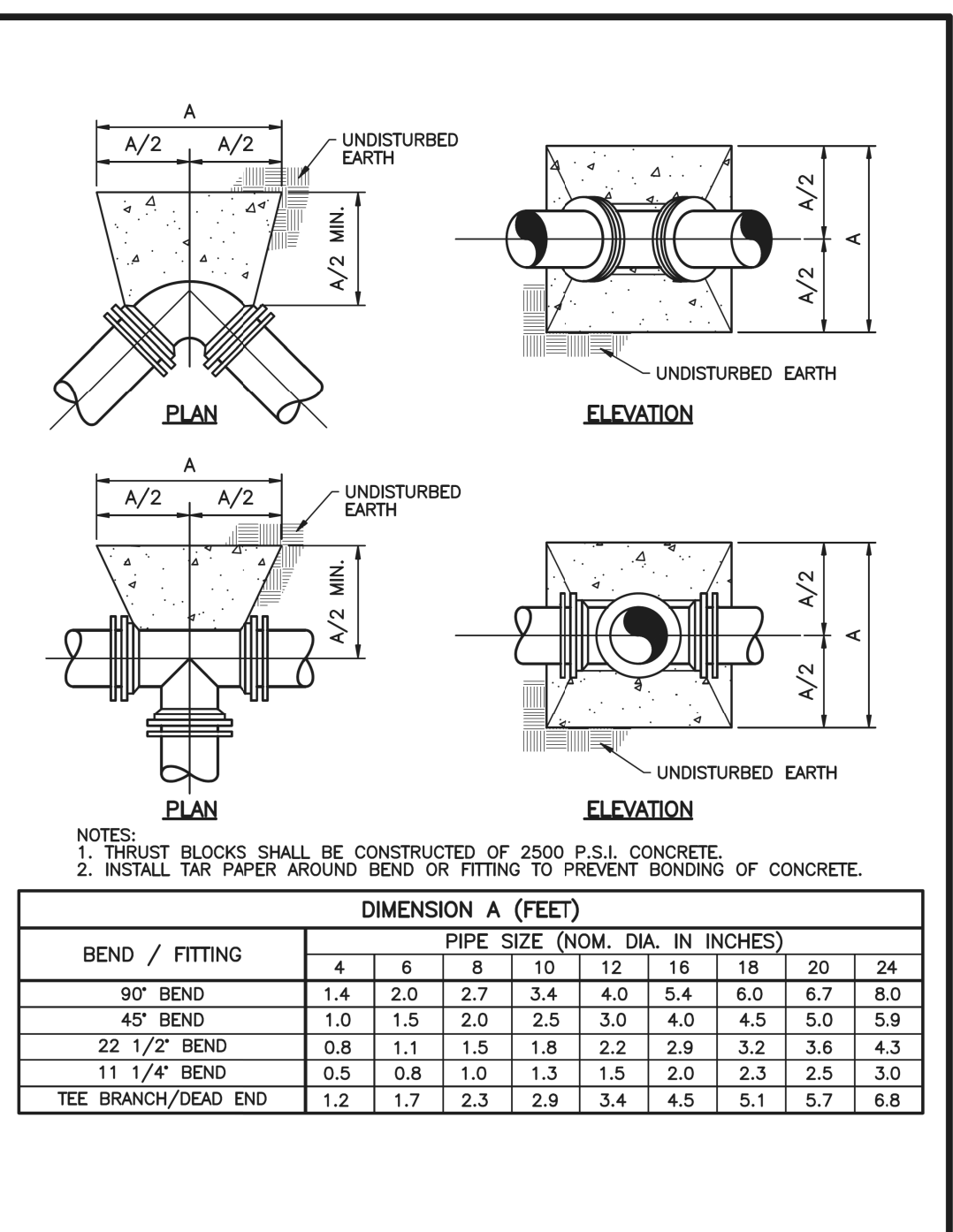
WATER SYSTEM DETAILS FOR THE TOWN OF ABERDEEN, MOORE COUNTY, NORTH CAROLINA
 Water Meter Box Detail W.5



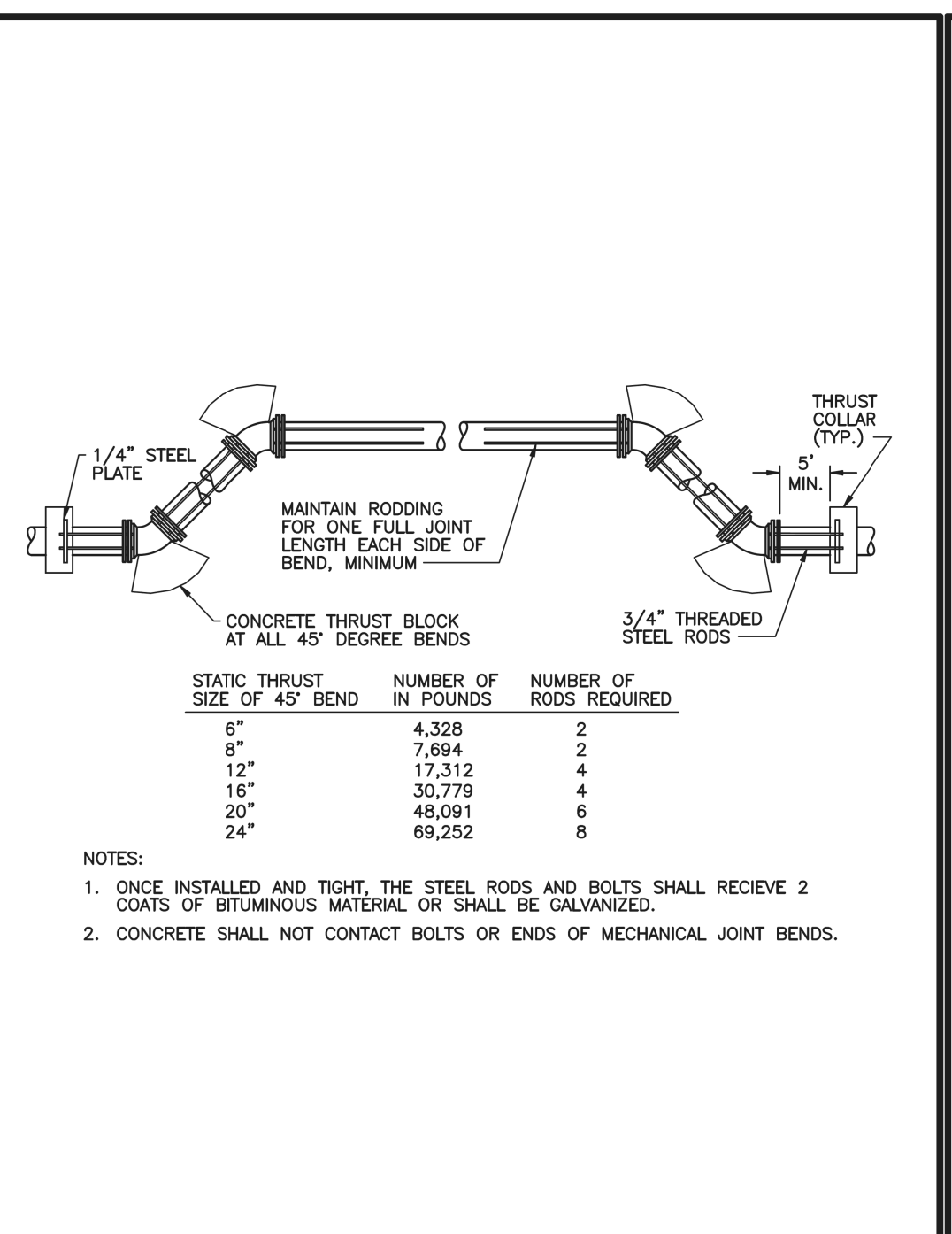
WATER SYSTEM DETAILS FOR THE TOWN OF ABERDEEN, MOORE COUNTY, NORTH CAROLINA
 Typical House Service Detail - Short W.6



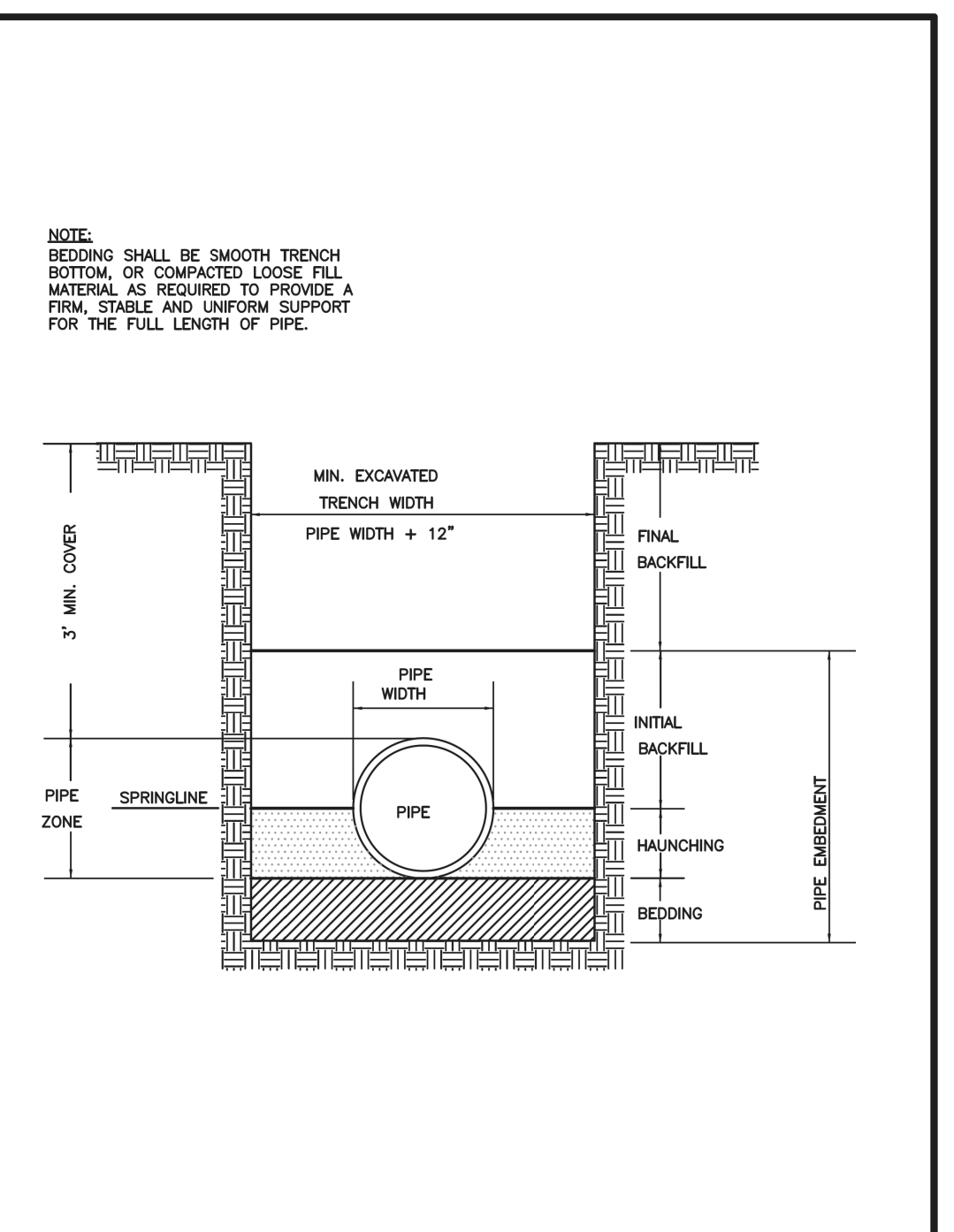
WATER SYSTEM DETAILS FOR THE TOWN OF ABERDEEN, MOORE COUNTY, NORTH CAROLINA
 Typical House Service Detail - Long W.7



WATER SYSTEM DETAILS FOR THE TOWN OF ABERDEEN, MOORE COUNTY, NORTH CAROLINA
 Concrete Thrust Block Detail W.8



WATER SYSTEM DETAILS FOR THE TOWN OF ABERDEEN, MOORE COUNTY, NORTH CAROLINA
 Vertical Bends W.9



WATER SYSTEM DETAILS FOR THE TOWN OF ABERDEEN, MOORE COUNTY, NORTH CAROLINA
 Water Main Trench Detail W.10