

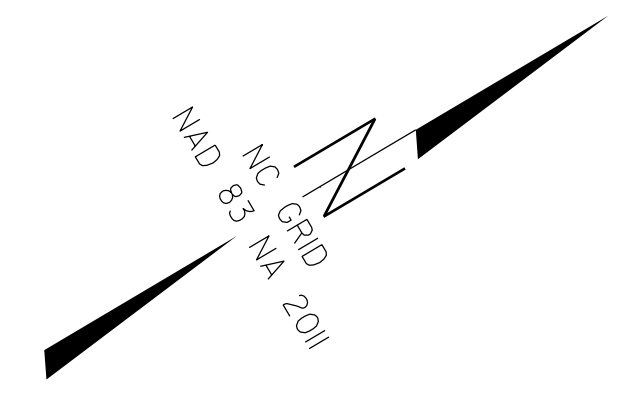


# SURVEY CONTROL SHEET

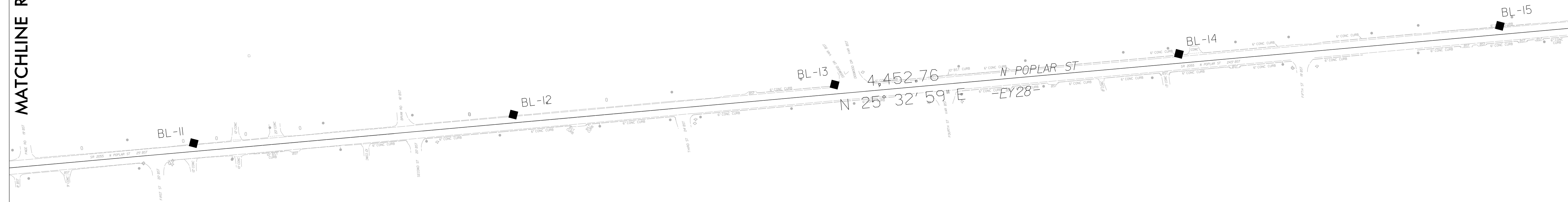
W/ EXISTING CENTERLINE ALIGNMENTS PRIOR TO CONSTRUCTION

PROJECT REFERENCE NO.	SHEET NO.
N POPLAR ST	RW02C-3
Location and Surveys	
	
	
2/17/2022	
DOCUMENT NOT CONSIDERED FINAL UNLESS ALL SIGNATURES COMPLETED	



MATCHLINE RW02C-2

MATCHLINE RW02C-4



REVISIONS

I7-FEB-2022 16:43  
 R:\1258\Kimley-Horn\0196\80-Drawings\Working\Nor-th\_Poplar St\_1s\_rw02c-3\_220215.dgn  
 SVrcent MC06833

**NOTES:**

1. PROJECT CONTROL WAS ESTABLISHED USING GNSS, THE GLOBAL NAVIGATION SATELLITE SYSTEM.
2. THE SURVEY CONTROL DATA FOR THIS PROJECT HAS BEEN COMPILED FROM VARIOUS SOURCES. IF FURTHER INFORMATION REGARDING PROJECT CONTROL IS NEEDED, PLEASE CONTACT MCKIM & CREED.