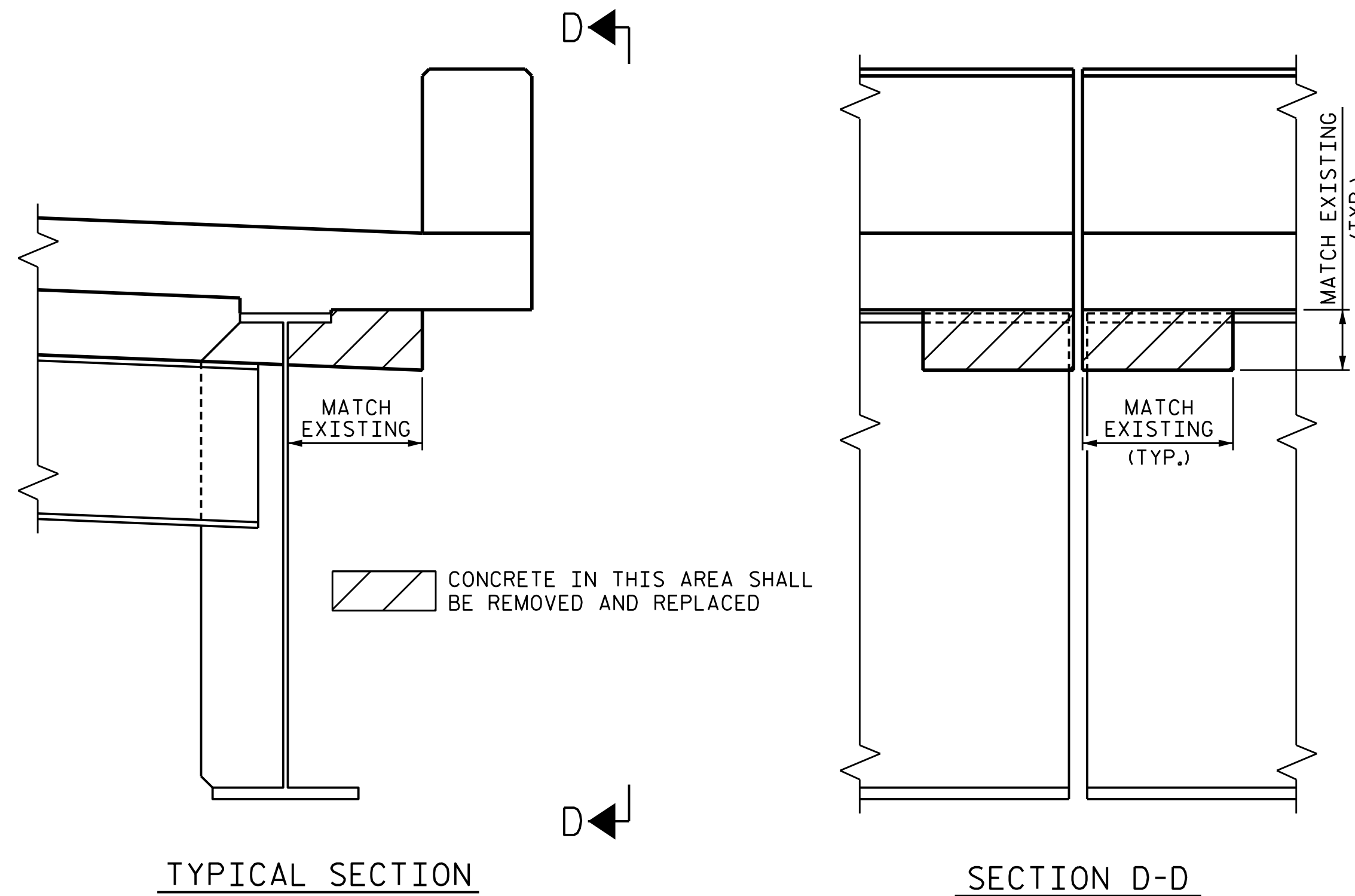
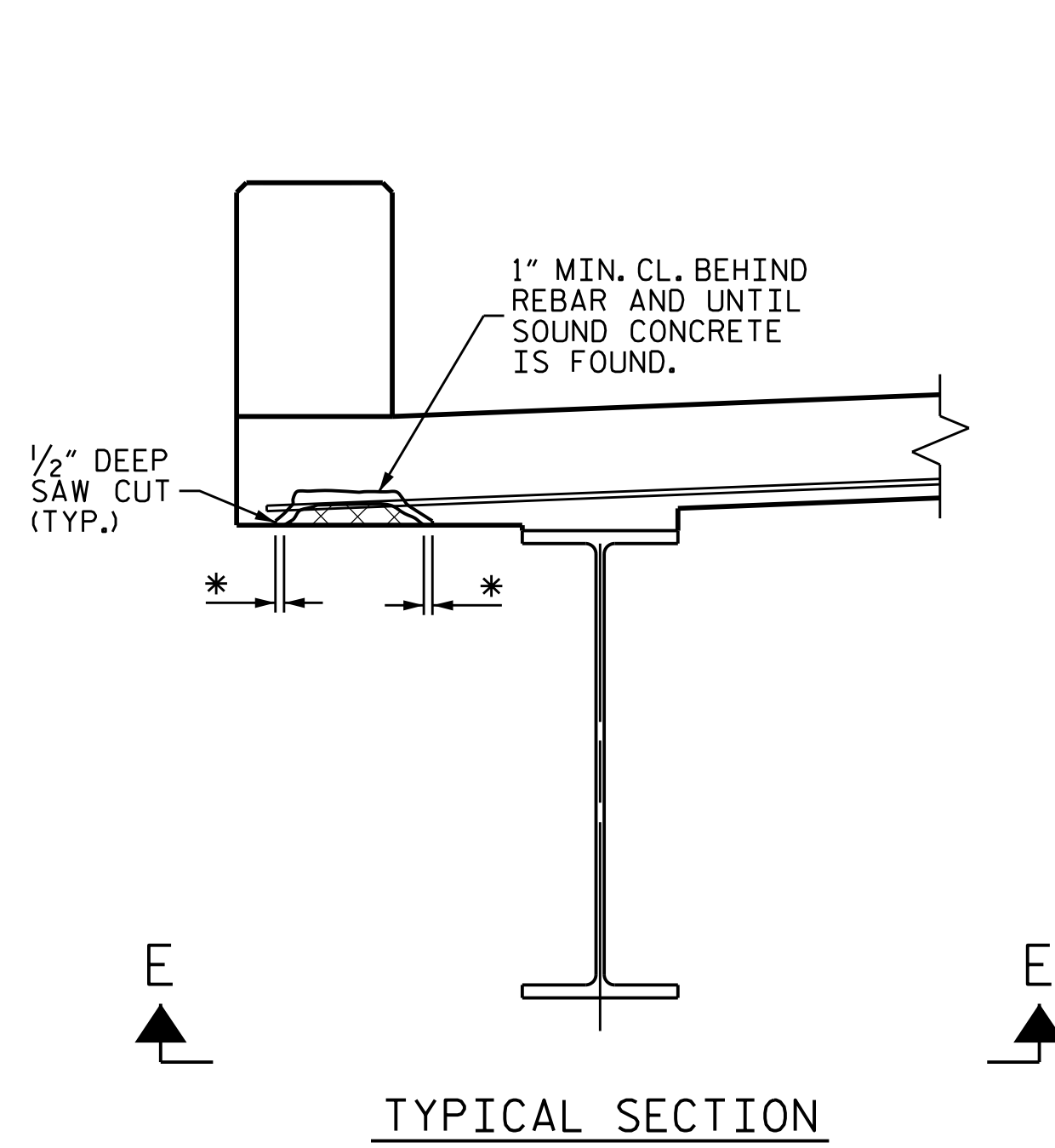
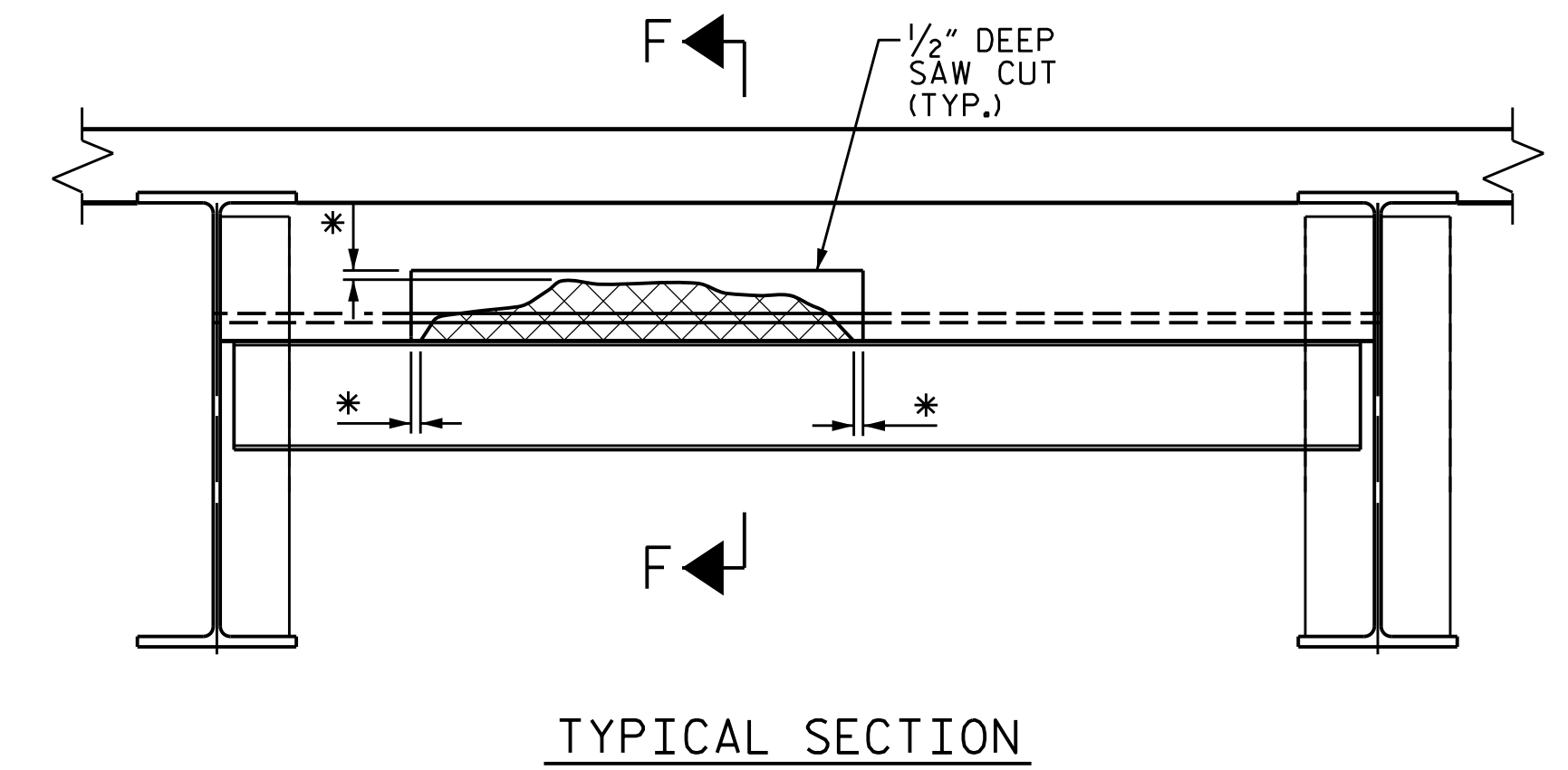


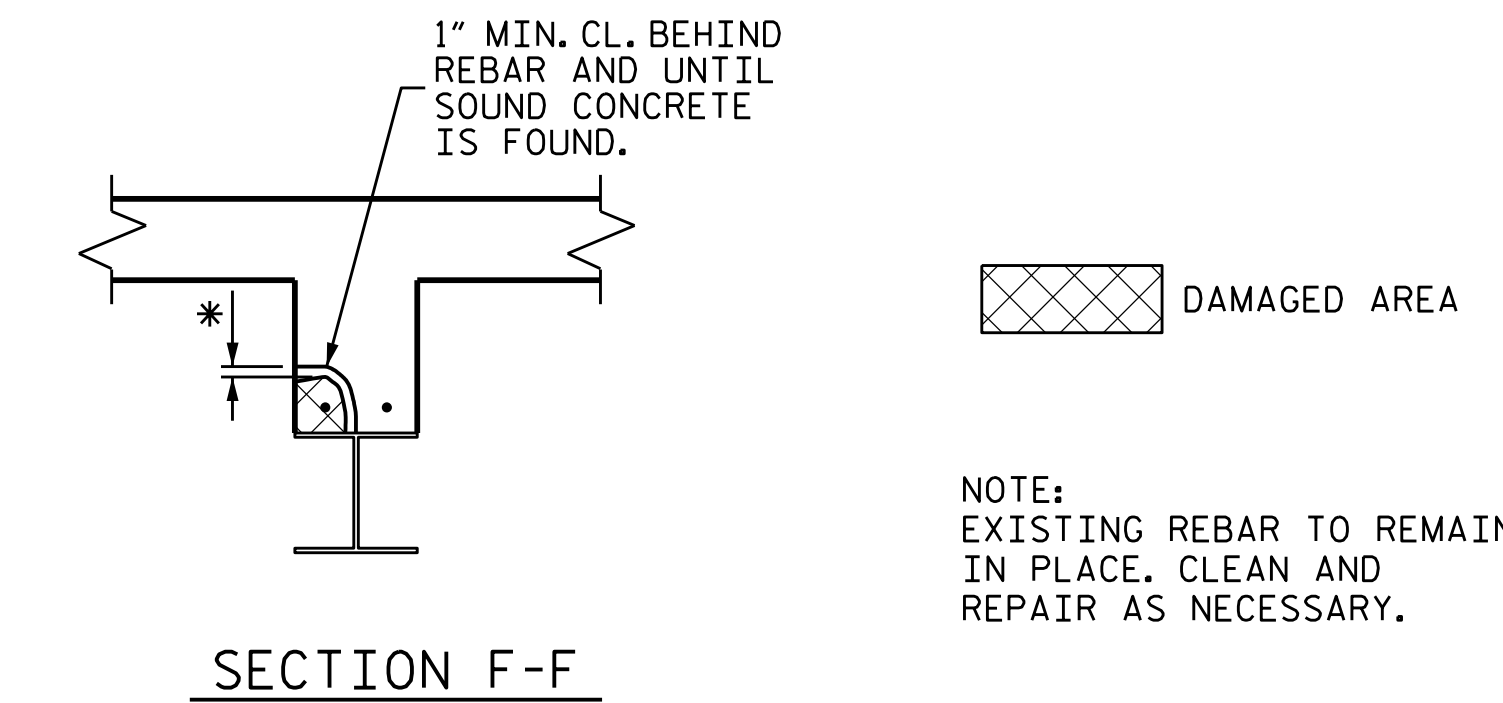
NOTE: OVERHANG DIAPHRAGMS TO BE REMOVED AND REPLACED, ARE SHOWN ON "PLAN OF SPAN" SHEETS. OVERHANG DIAPHRAGMS SHALL BE REMOVED PRIOR TO CLEANING AND PAINTING OF BEAMS AND REPLACED AFTER BEAM REPAIRS AND PAINTING ARE COMPLETE.



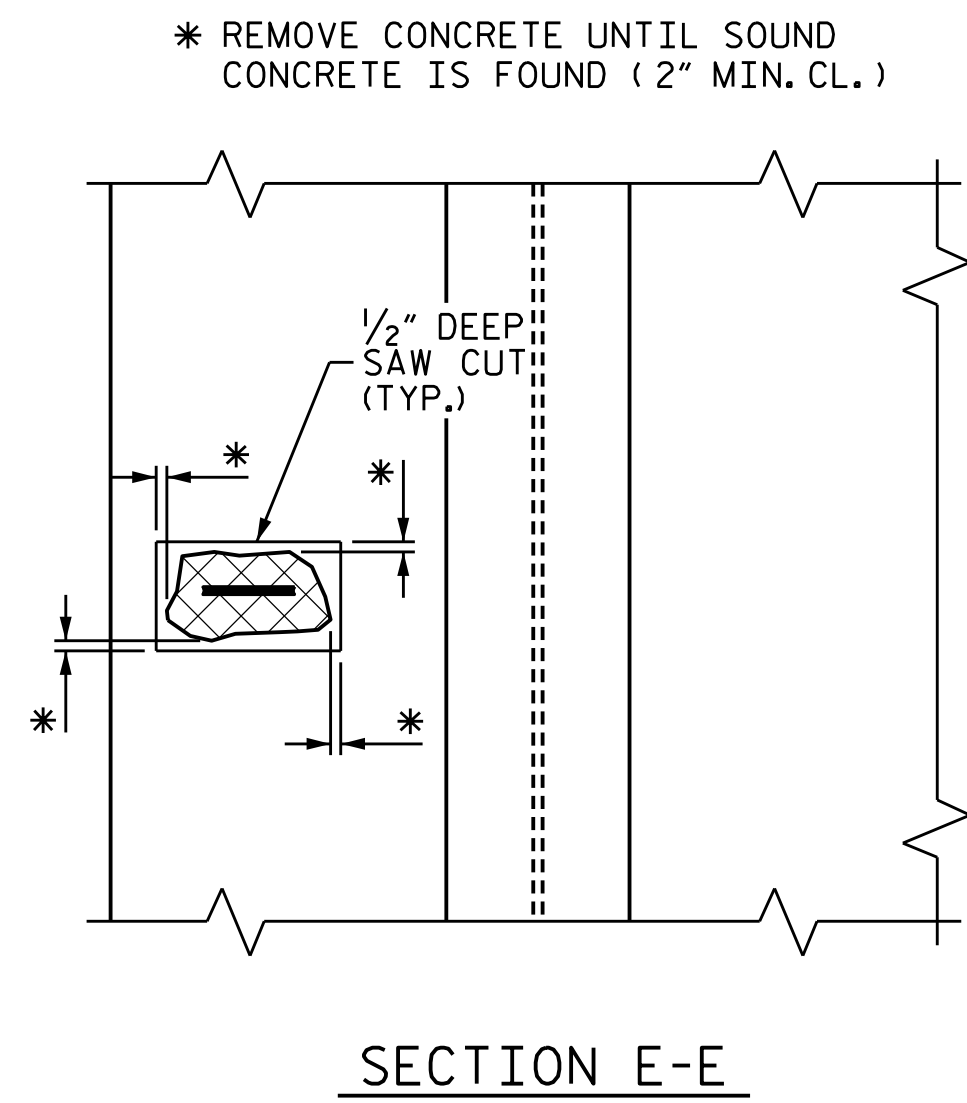
OVERHANG DIAPHRAGM REPLACEMENT DETAILS



\* REMOVE CONCRETE UNTIL SOUND CONCRETE IS FOUND (2" MIN. CL.)

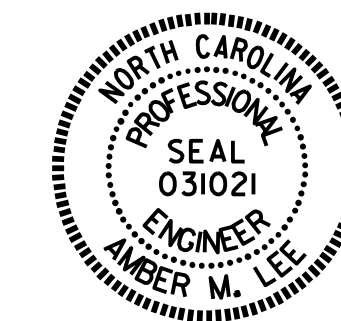


INTERIOR DIAPHRAGM REPAIR DETAILS



OVERHANG DETAILS

PROJ. NO. I-5831  
MADISON COUNTY  
 BRIDGE NO. 560547



DocuSigned by:  
 Amber M. Lee  
 996654429404  
 03/18/2022

STATE OF NORTH CAROLINA  
 DEPARTMENT OF TRANSPORTATION  
 RALEIGH  
 OVERHANG, DIAPHRAGM  
 AND BRIDGE RAIL  
 REPAIR DETAILS

DRAWN BY : R.L. PUTEK DATE : 08/2018  
 CHECKED BY : A.M. LEE, PE DATE : 08/2018

3/18/2022  
 R:\Structures\Final Plans\407.097.I5831.SMU.ODBR\_SD-02.dgn

DOCUMENT NOT CONSIDERED  
 FINAL UNLESS ALL  
 SIGNATURES COMPLETED

REVISIONS						SHEET NO.
NO.	BY:	DATE:	NO.	BY:	DATE:	SD-02
1			3			TOTAL SHEETS
2			4			2