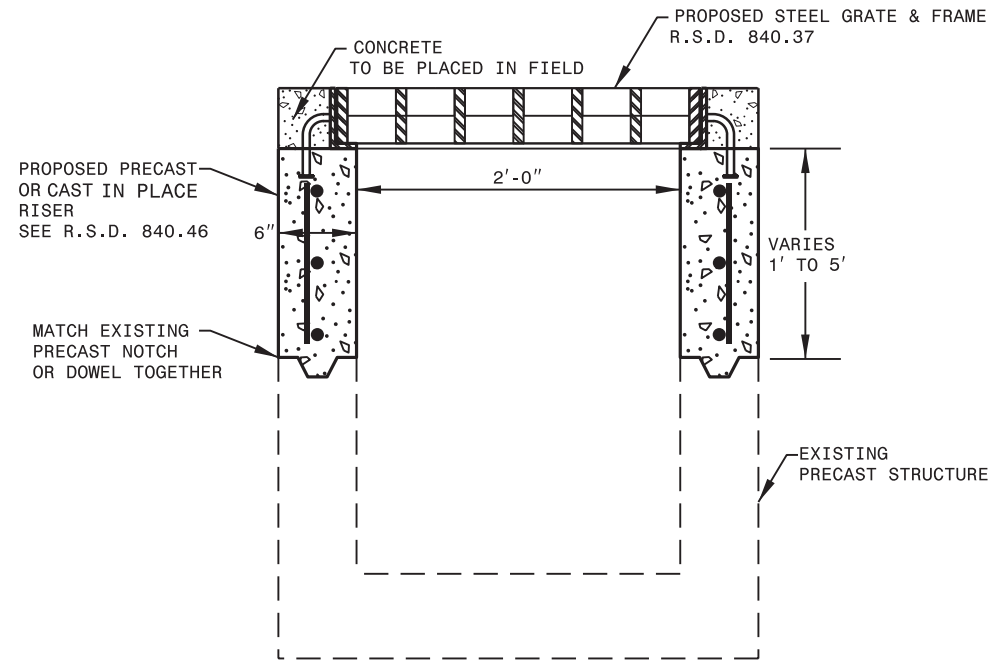


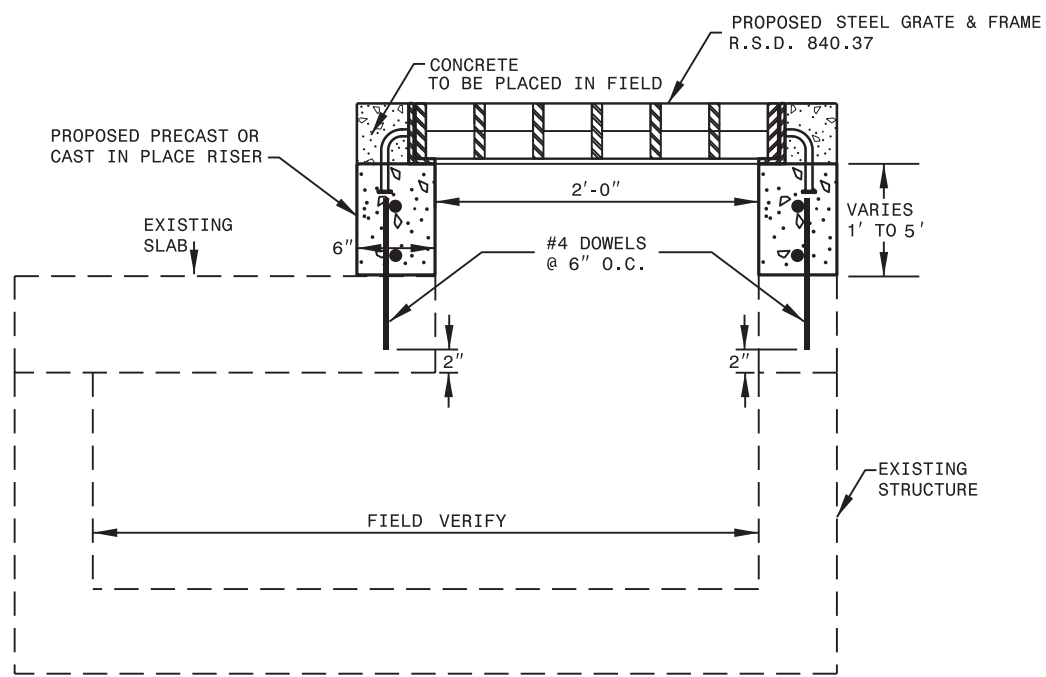
LARGE/SMALL STRUCTURE SECTION VIEW



SMALL STRUCTURE SECTION VIEW

PRECAST RISER NOTES:

- FIELD VERIFY ALL DIMENSIONS PRIOR TO MANUFACTURING PRECAST UNITS
- ALL REBAR IS #4 @ 6" O.C.



LARGE STRUCTURE SECTION VIEW

CAST IN PLACE RISER NOTES:

- ALL REBAR IS #4 @ 6" O.C.
- USE AN APPROVED EPOXY TO FASTEN DOWEL INTO EXISTING TOP SLAB.
- DRILL 3/4" DIA. MINIMUM HOLES INTO TOP SLAB FOR PLACEMENT OF DOWELS.

CONTRACT STANDARDS AND DEVELOPMENT UNIT	
Office 919-707-6950	FAX 919-250-4119
TRAFFIC BEARING PRECAST & CAST RISER STEEL GRATE AND FRAME	
ORIGINAL BY: _____	DATE: _____
MODIFIED BY: _____	DATE: _____
CHECKED BY: _____	DATE: _____
FILE SPEC.: _____	

CONTRACT STANDARDS AND DEVELOPMENT UNIT
 919-707-6950
 919-250-4119
 1000 W. GARDNER STREET
 RALEIGH, NC 27603