

SIGN NUMBER: SP13107  
 TYPE: STATIONARY  
 QUANTITY: SEE PLANS

BACKG COLOR: Fluorescent Orange  
 COPY COLOR: Black

DESIGN BY: B. RASHID  
 PROJECT ID:

CHECKED BY: AIA  
 DIV:

DATE: Apr 26, 2013

SYMBOL	X	Y	WID	HT

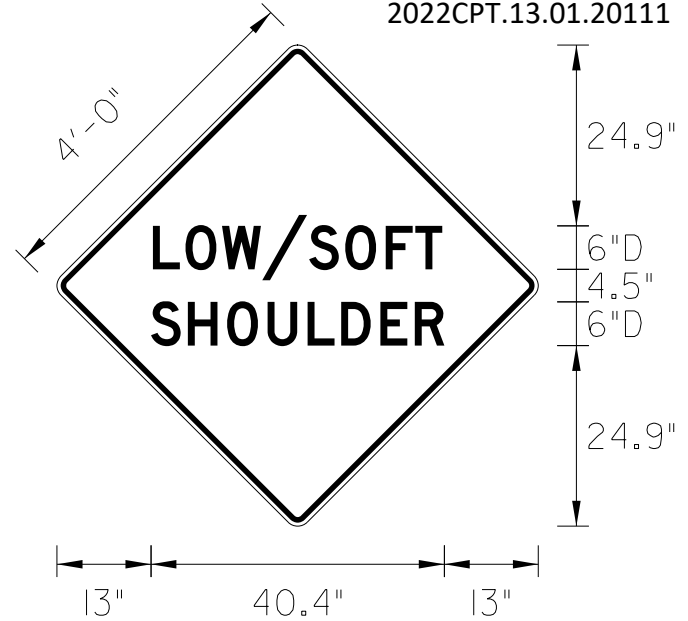
MAT'L: 0.080" (2.0 mm) ALUMINUM

BORDER TYPE: INSET  
 RECESS: 0.75"  
 WIDTH: 1.25"  
 RADII: 3"

NO. Z BARS:  
 LENGTH:

2022CPT.13.01.10111,  
 2022CPT.13.01.20111

TMP-5



Spacing Factor is 1 unless specified otherwise

USE NOTES: 1,2

1. Legend and border shall be direct applied black non-reflective sheeting.
2. Background shall be NC GRADE B fluorescent orange retroreflective sheeting.

LETTER POSITIONS

Letter spacings are to start of next letter											Series/Size
	L	O	W	/	S	O	F	T			Text Length
	13.2	4.5	5	5.5	6.5	5	5.6	4.1	3.7	13.2	D 2000
											39.9
	S	H	O	U	L	D	E	R			D 2000
	13	5.1	5.4	5.6	5.5	4.6	5.4	4.7	4.1	13	40.4