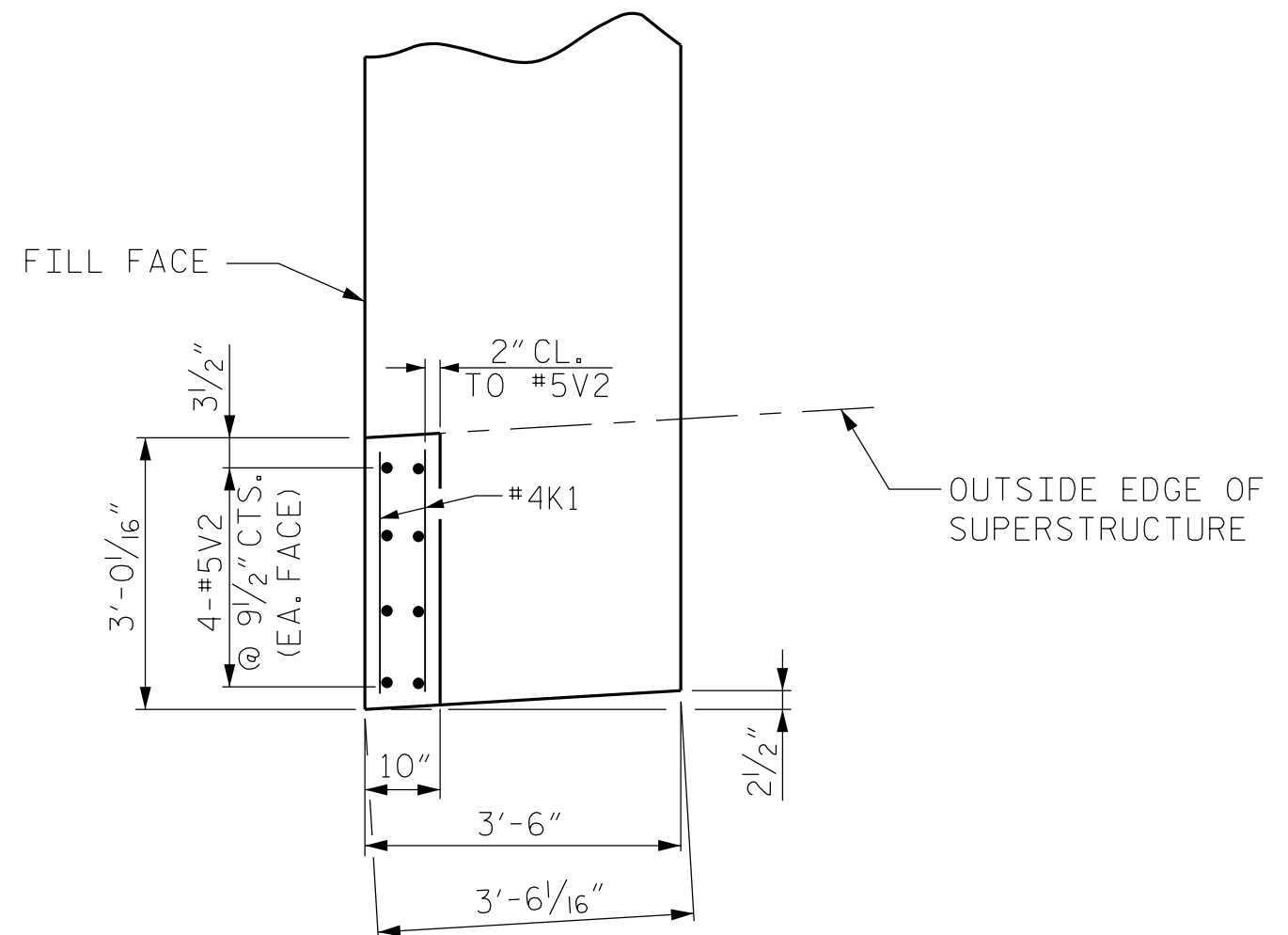
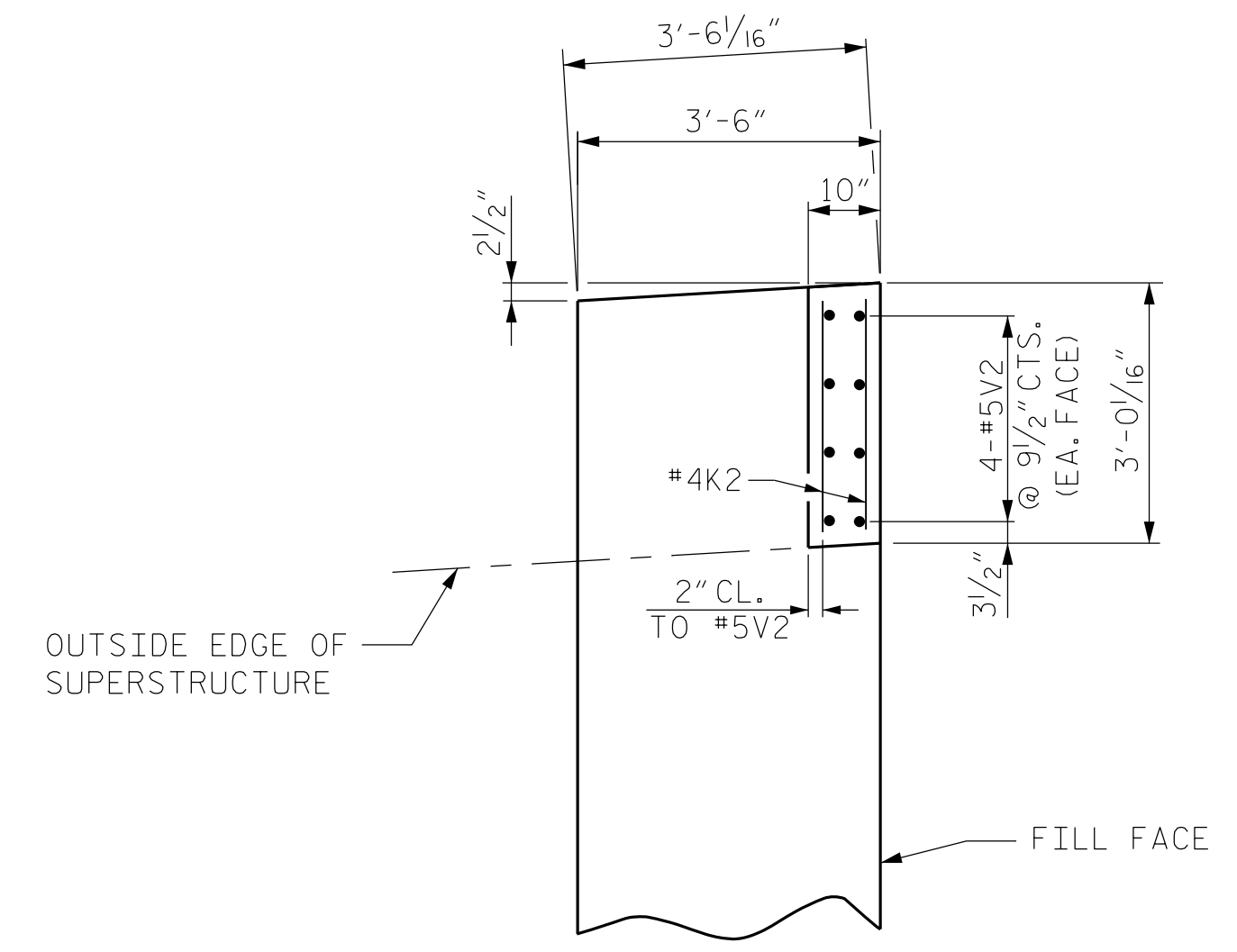


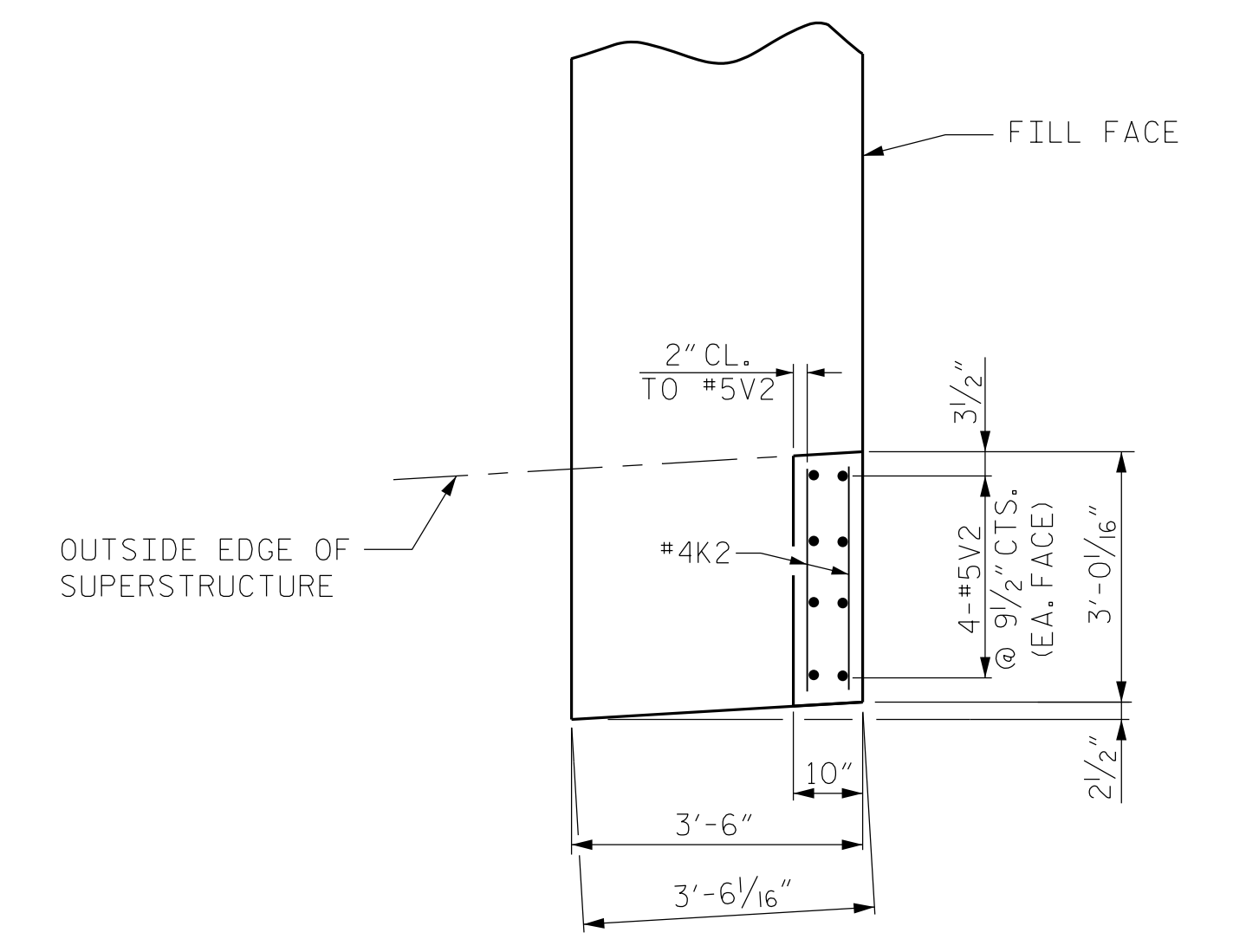
PLAN OF END BENT #1, LEFT SIDE



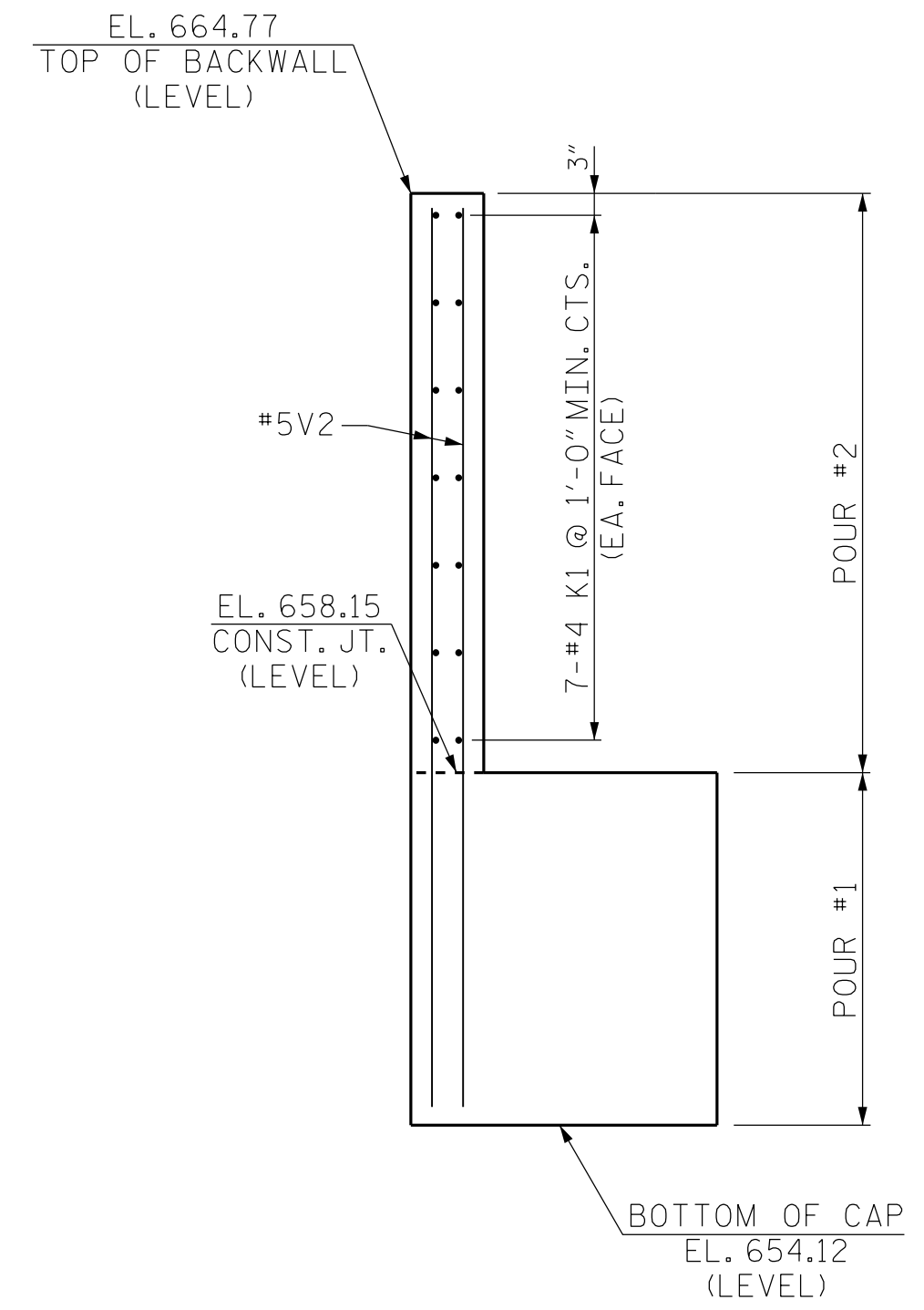
PLAN OF END BENT #1, RIGHT SIDE



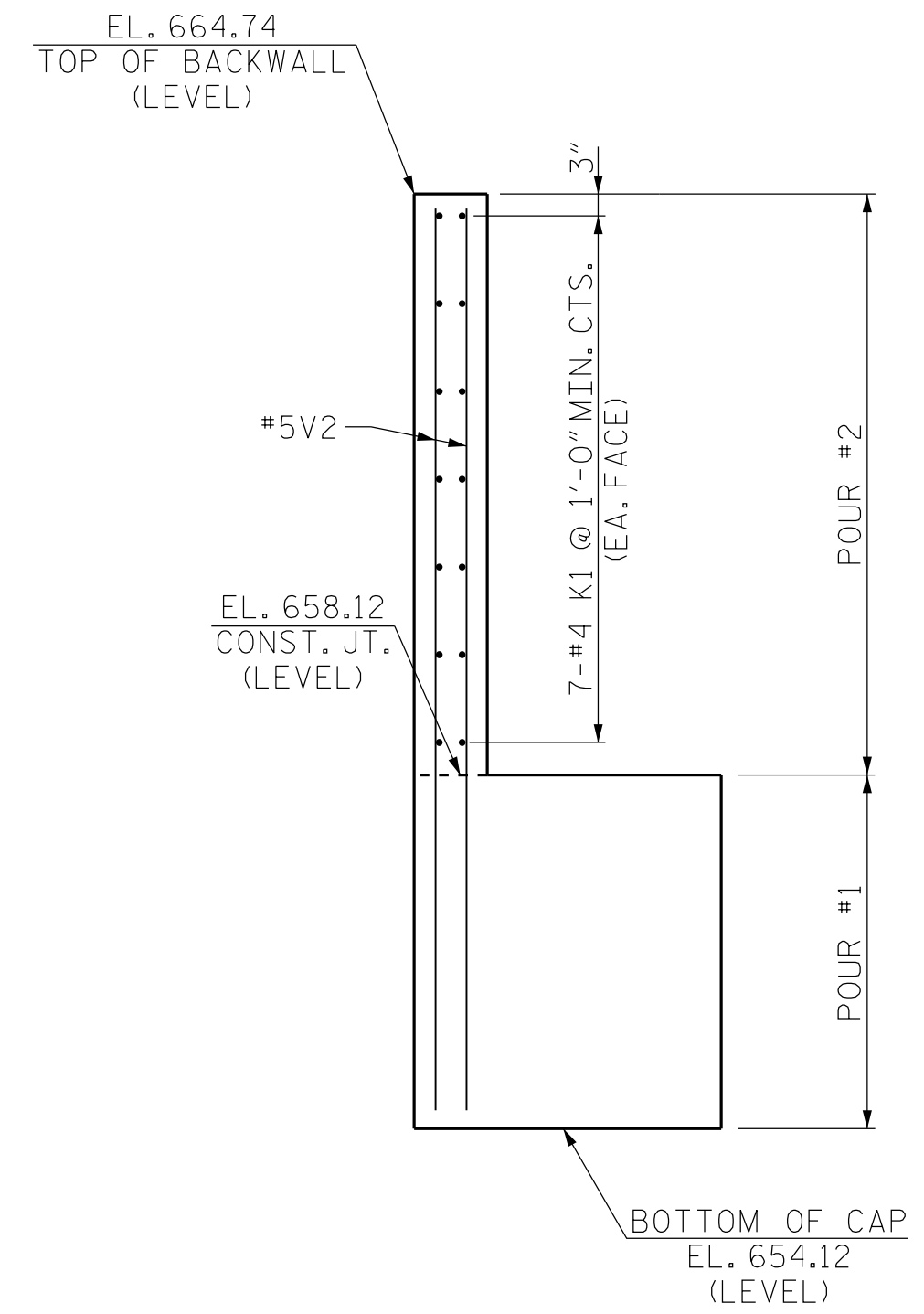
PLAN OF END BENT #2, LEFT SIDE



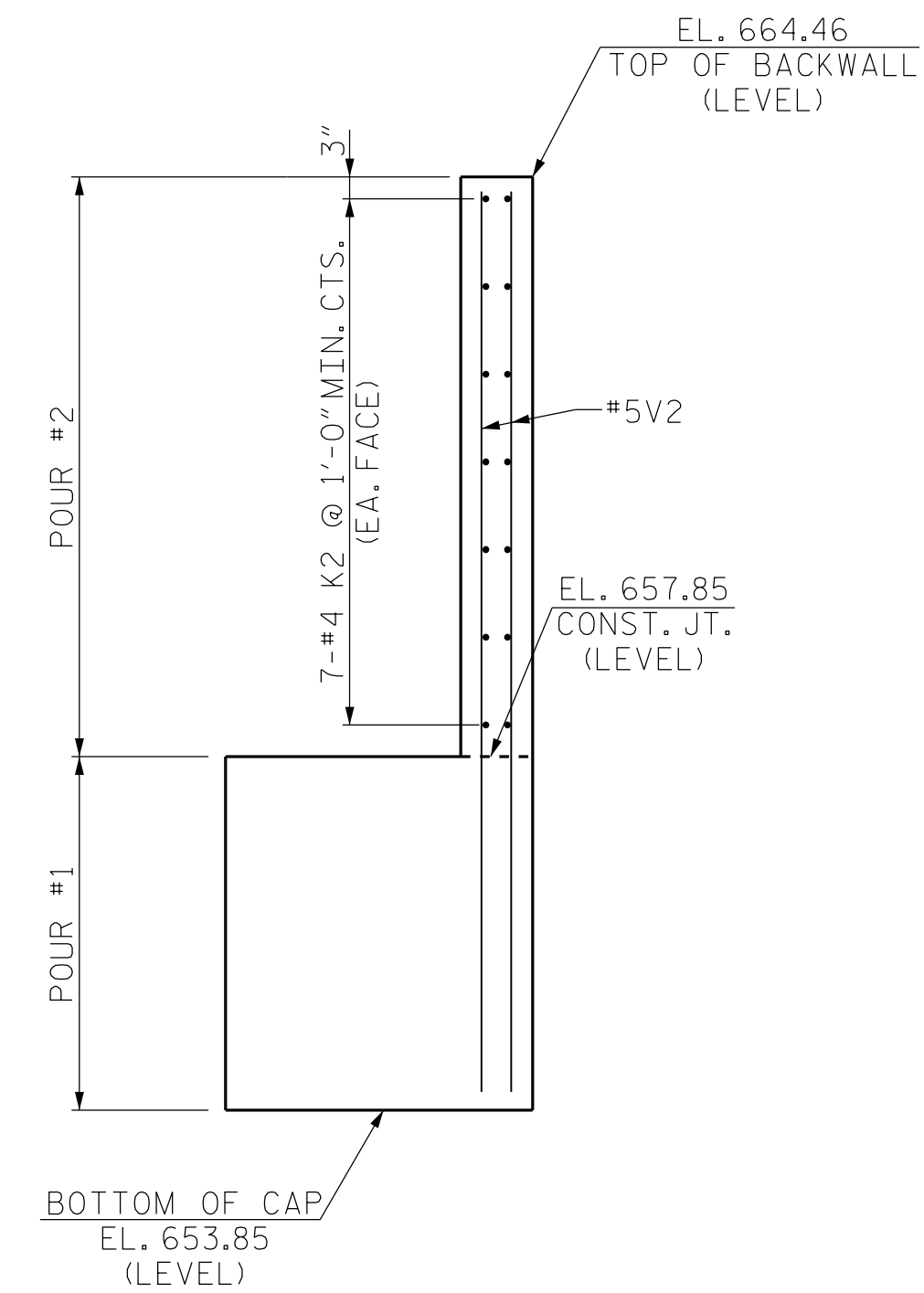
PLAN OF END BENT #2, RIGHT SIDE



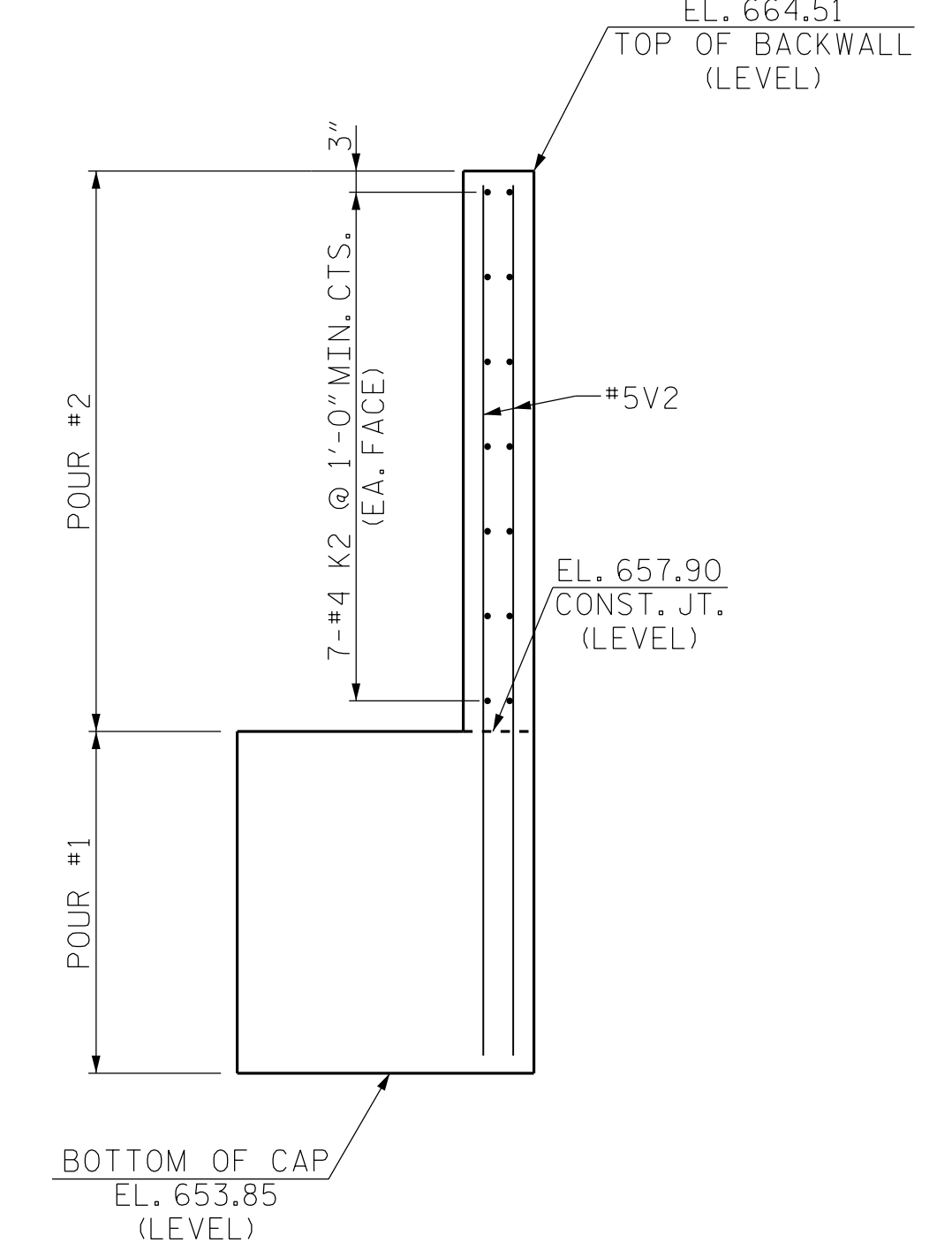
ELEVATION OF END BENT #1, LEFT SIDE



ELEVATION OF END BENT #1, RIGHT SIDE



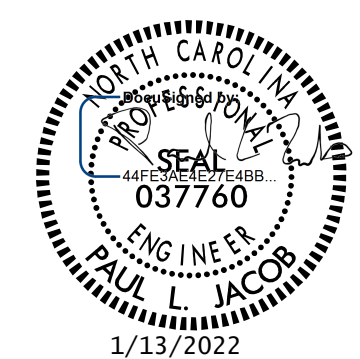
ELEVATION OF END BENT #2, LEFT SIDE



ELEVATION OF END BENT #2, RIGHT SIDE

PROJECT NO. B-5737  
ROCKINGHAM COUNTY  
 STATION: 20+86.07 -L-  
 SHEET 3 OF 4

STATE OF NORTH CAROLINA  
 DEPARTMENT OF TRANSPORTATION  
 RALEIGH  
 SUBSTRUCTURE  
 INTEGRAL END BENT  
 DETAILS



DRAWN BY : J. LOFTUS DATE : 03-2021  
 CHECKED BY : P. JACOB DATE : 07-2021  
 DESIGN ENGINEER OF RECORD: J. LOFTUS DATE : 04-2021

**moffatt & nichol**  
 4700 FALLS OF NEUSE ROAD, SUITE 300  
 RALEIGH, NORTH CAROLINA 27609  
 (919) 781-4626 VOICE (919) 781-4869 FAX  
 NC License No.: F-0105

DOCUMENT NOT CONSIDERED  
 FINAL UNLESS ALL  
 SIGNATURES COMPLETED

REVISIONS						SHEET NO.
NO.	BY:	DATE:	NO.	BY:	DATE:	S-23
1			3			TOTAL SHEETS
2			4			29

1/12/2022 10:01:10 AM 103\B5737\Structures\01-CADD\03-Final Drawings\01\_045\_B5737\_SMU\_EB03\_023\_780108.dgn p.jacob