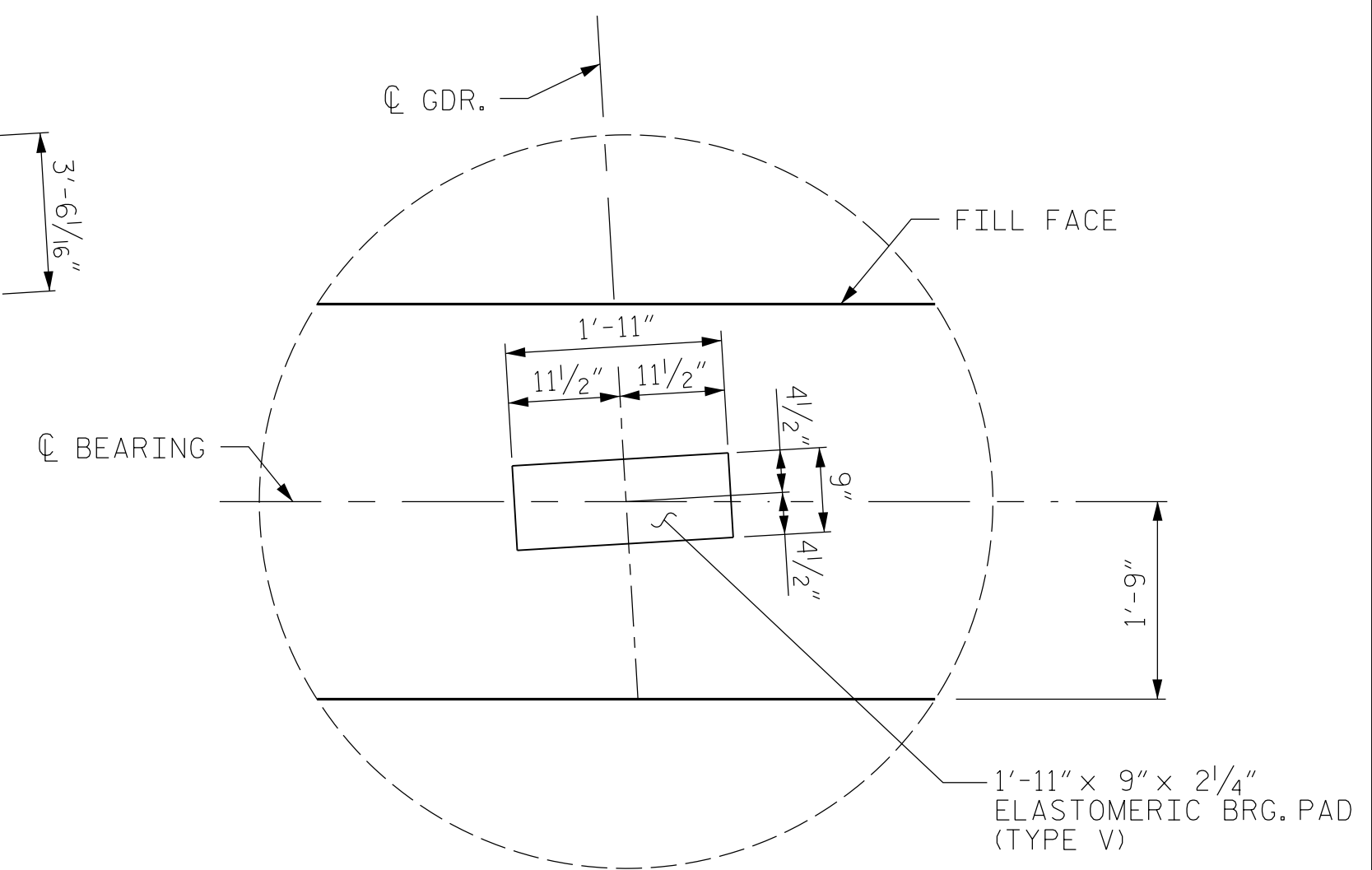


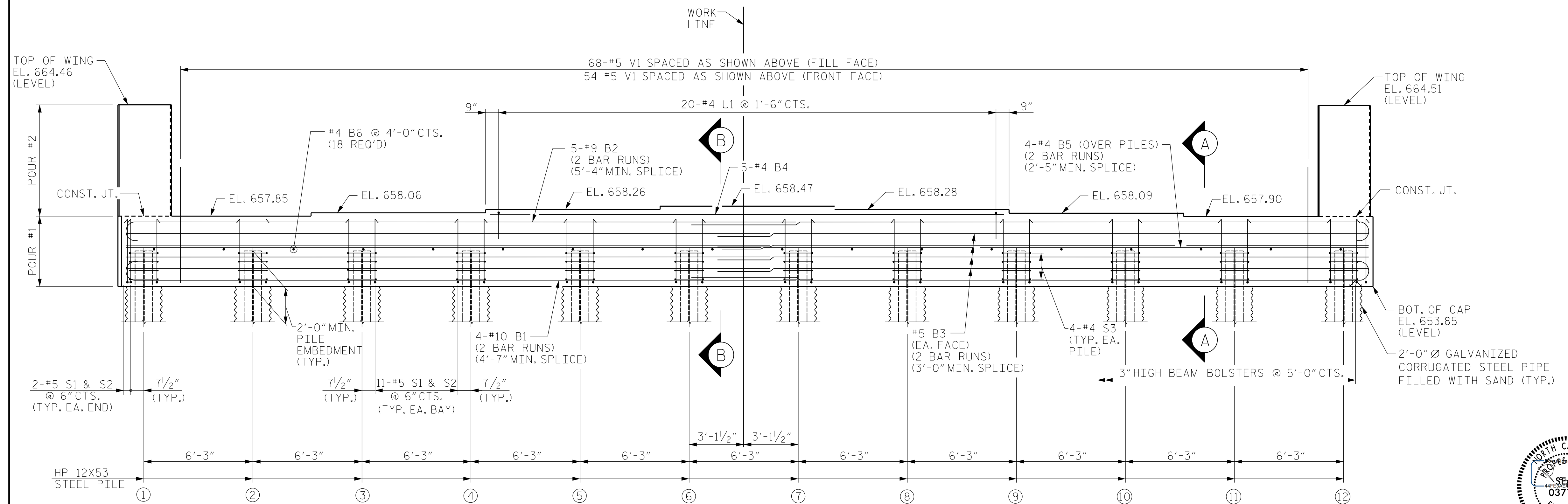
PLAN OF CAP

NOTES:
 THE TOP SURFACE OF THE END BENT CAP AND WINGS, EXCEPT THE BEARING AREA, SHALL BE RAKED TO A DEPTH OF 1/4\"/>



DETAIL "A"

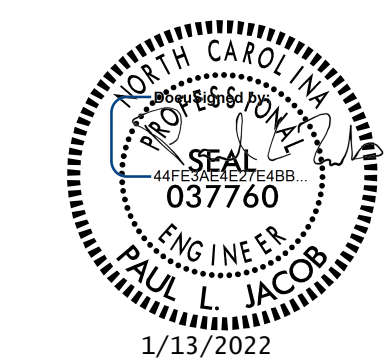
(TYP. EACH GIRDER)



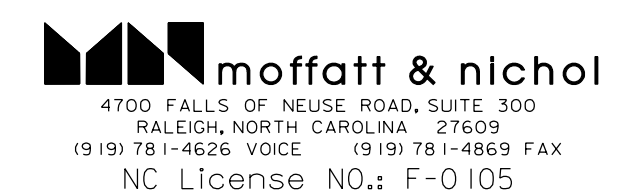
ELEVATION

FOR SECTIONS A-A AND B-B, SEE SHEET 4 OF 4

PROJECT NO. B-5737
ROCKINGHAM COUNTY
 STATION: 20+86.07 -L-
 SHEET 2 OF 4



DRAWN BY : J. LOFTUS DATE : 03-2021
 CHECKED BY : P. JACOB DATE : 07-2021
 DESIGN ENGINEER OF RECORD: J. LOFTUS DATE : 04-2021



DOCUMENT NOT CONSIDERED FINAL UNLESS ALL SIGNATURES COMPLETED

STATE OF NORTH CAROLINA DEPARTMENT OF TRANSPORTATION RALEIGH					
SUBSTRUCTURE					
INTEGRAL END BENT #2					
REVISIONS					
NO.	BY:	DATE:	NO.	BY:	DATE:
1			3		
2			4		
					SHEET NO. S-22
					TOTAL SHEETS 29

1/12/2022 10:11:01 AM 103\B5737\Structures\01-CADD\03-FinalDrawings\01_04_3_B5737_SMU_EB02_022_780106.dgn P:\jacob