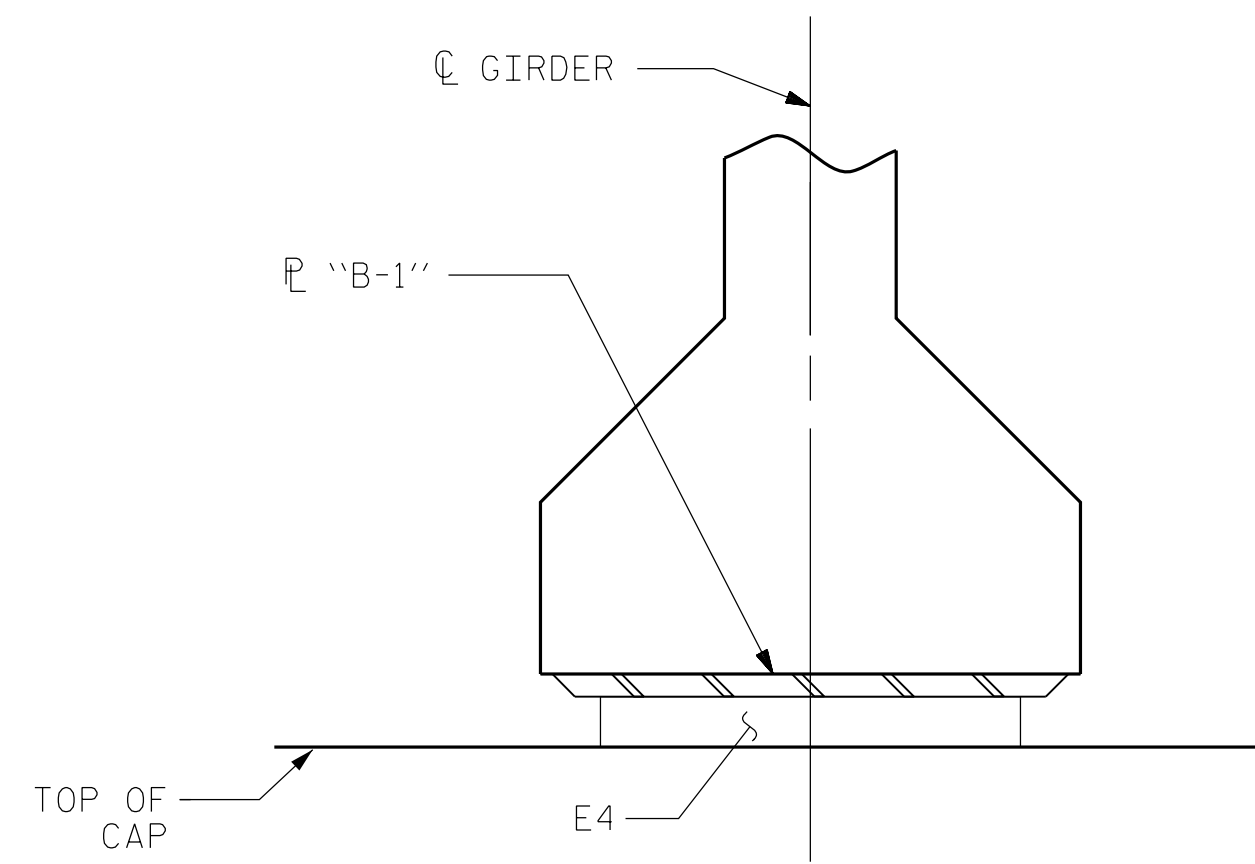


NOTES

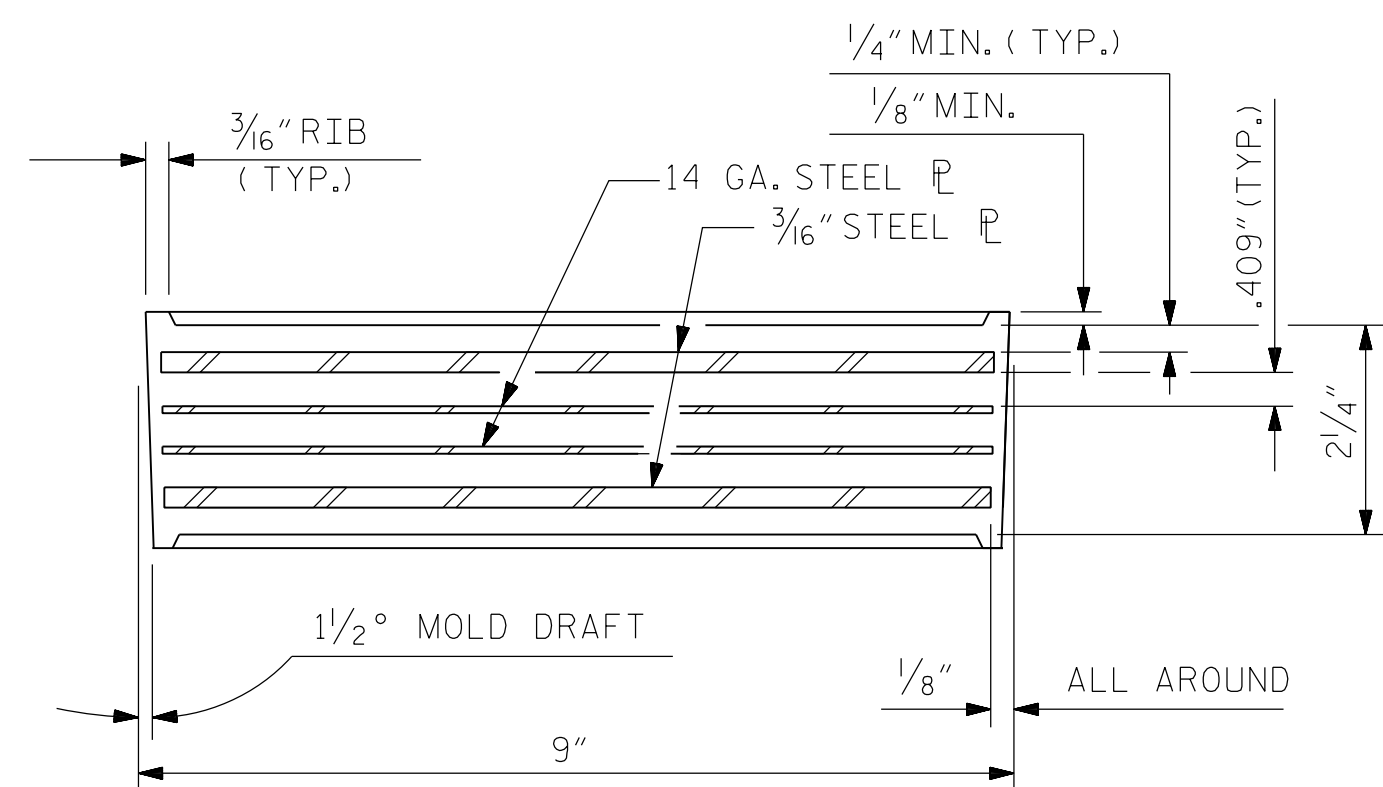
ALL SURFACES OF BEARING PLATES SHALL BE SMOOTH AND STRAIGHT.

THE ELASTOMER IN THE STEEL REINFORCED BEARINGS SHALL HAVE A SHEAR MODULUS OF 0.160 KSI, IN ACCORDANCE WITH AASHTO M251.

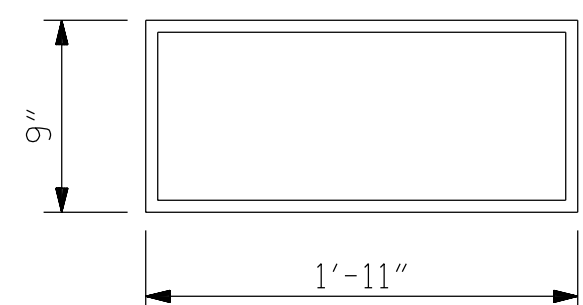
FOR STEEL REINFORCED ELASTOMERIC BEARINGS, SEE SPECIAL PROVISIONS.



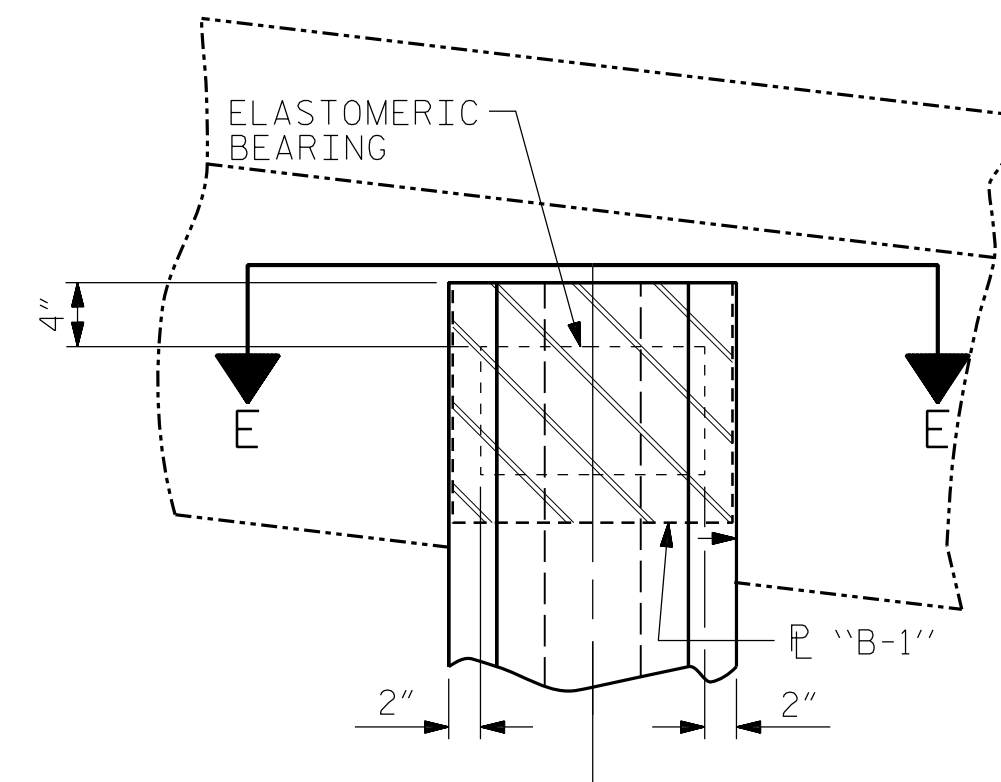
FIXED  
SECTION E-E



TYPICAL SECTION OF ELASTOMERIC BEARINGS



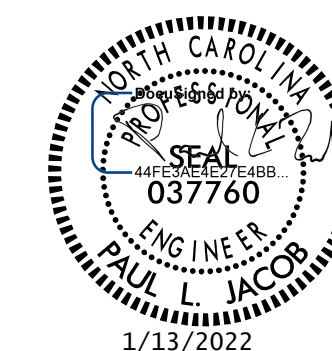
E4 (14 REQ'D)  
PLAN VIEW OF ELASTOMERIC BEARING  
TYPE V



END BENT #2  
(END BENT #1 SIMILAR)

MAXIMUM ALLOWABLE SERVICE LOADS	
D.L.+L.L. (NO IMPACT)	
TYPE V	365 k

PROJECT NO. B-5737  
ROCKINGHAM COUNTY  
STATION: 20+86.07 -L-



STATE OF NORTH CAROLINA  
DEPARTMENT OF TRANSPORTATION  
RALEIGH  
STANDARD  
ELASTOMERIC BEARING  
DETAILS  
PRESTRESSED CONCRETE GIRDER  
SUPERSTRUCTURE

ASSEMBLED BY : J. LOFTUS	DATE : 03-2021
CHECKED BY : P. JACOB	DATE : 07-2021
DRAWN BY : EEM 2/97	REV. 6/13 AAC/MAA
CHECKED BY : VAP 2/97	REV. 1/15 MAA/TMG
	REV. 12/17 MAA/THC

**moffatt & nichol**  
4700 FALLS OF NEUSE ROAD, SUITE 300  
RALEIGH, NORTH CAROLINA 27609  
(919) 781-4626 VOICE (919) 781-4869 FAX  
NC License NO.: F-0105

DOCUMENT NOT CONSIDERED  
FINAL UNLESS ALL  
SIGNATURES COMPLETED

REVISIONS						SHEET NO.
NO.	BY:	DATE:	NO.	BY:	DATE:	S-13
1			3			TOTAL SHEETS
2			4			29

1/12/2022 02:14:10 101-103\B5737\Structures\01-CADD\03-FinalDrawings\01\_025\_B5737\_SMU\_B001\_013\_780108.dgn p.jacob