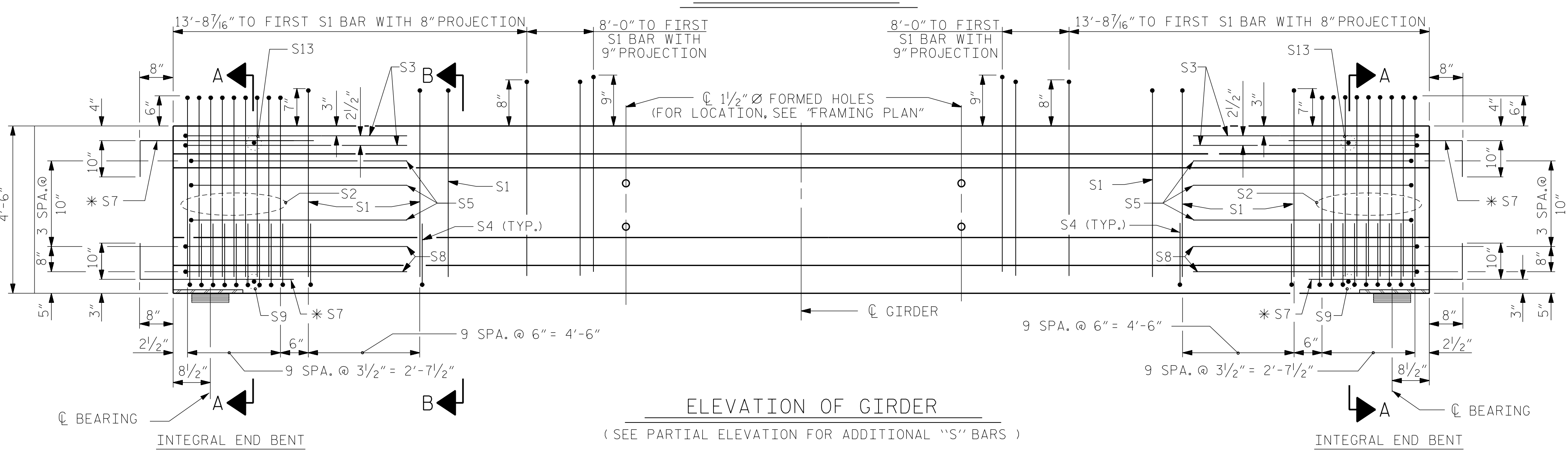
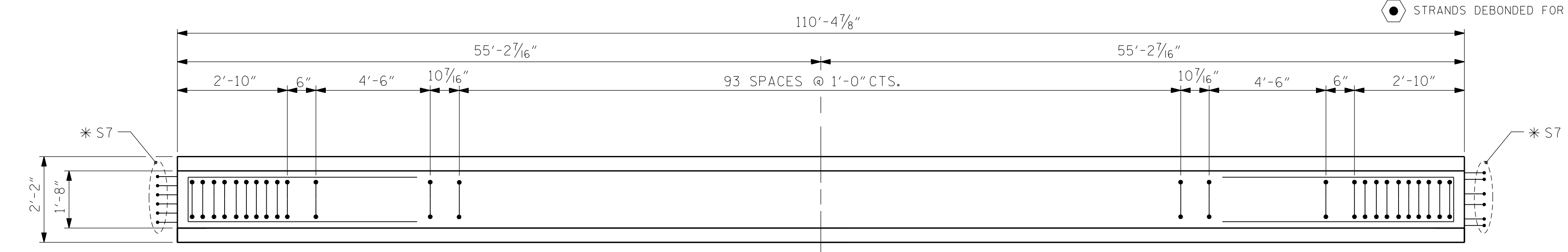
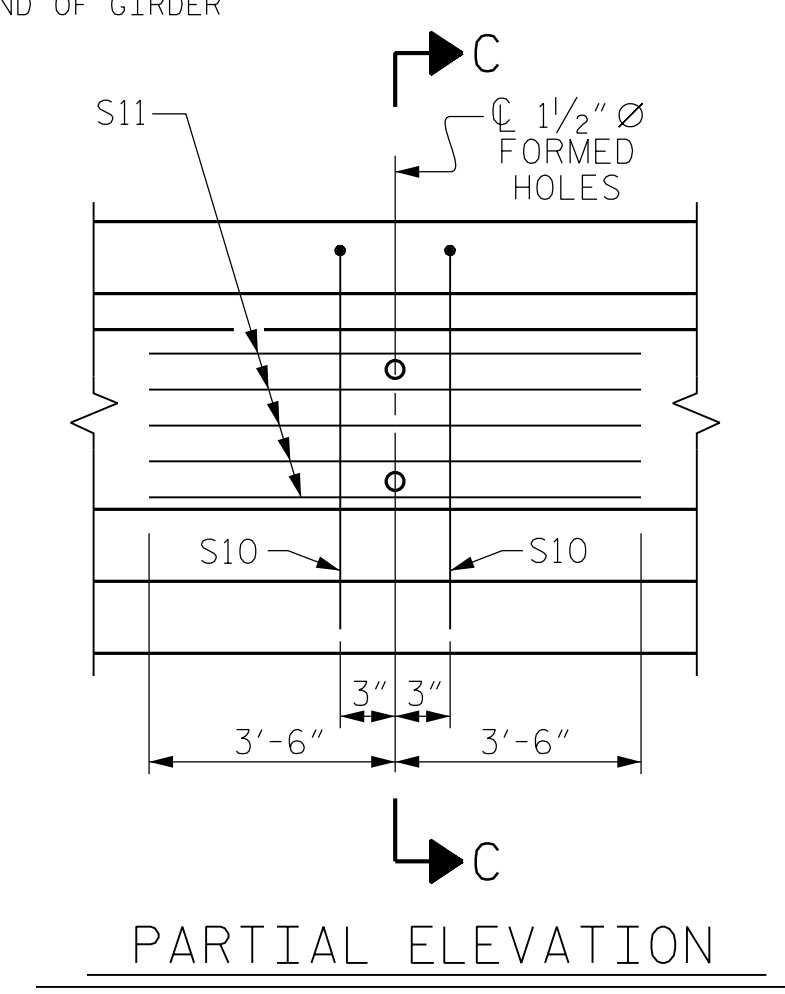


* FOR S7 BARS, SEE DETAIL "A" OF PRESTRESSED CONCRETE GIRDER CONTINUOUS FOR LIVE LOAD DETAILS SHEET

** S1 PROJECTION VARIES ALONG BEAM, SEE ELEVATION OF GIRDER FOR DETAILS



- DEBONDING LEGEND**
- FULLY BONDED STRANDS
 - STRANDS DEBONDED FOR 4'-0" FROM END OF GIRDER
 - △ STRANDS DEBONDED FOR 6'-0" FROM END OF GIRDER
 - STRANDS DEBONDED FOR 8'-0" FROM END OF GIRDER
 - ◇ STRANDS DEBONDED FOR 12'-0" FROM END OF GIRDER



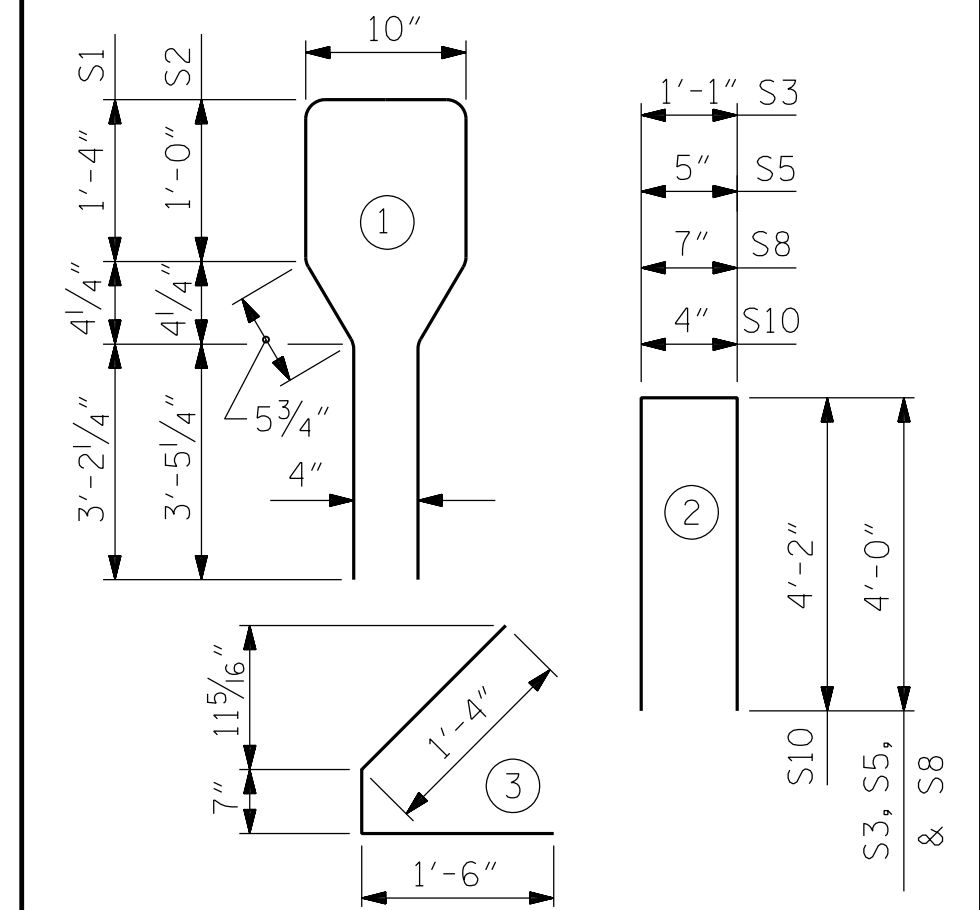
0.6" Ø L. R. GRADE 270 STRANDS		
AREA (SQUARE INCHES)	ULTIMATE STRENGTH (LBS. PER STRAND)	APPLIED PRESTRESS (LBS. PER STRAND)
0.217	58,600	43,950

REINFORCING STEEL FOR ONE GIRDER					
BAR	NUMBER	SIZE	TYPE	LENGTH	WEIGHT
S1	114	#4	1	10'-10"	825
S2	20	#6	1	10'-8"	320
S3	4	#4	2	9'-1"	24
S4	76	#4	3	3'-5"	173
S5	6	#4	2	8'-5"	34
* S7	24	#5	STR	3'-8"	88
S8	4	#4	2	8'-7"	23
S9	2	#3	STR	1'-10"	1
S10	4	#5	2	8'-8"	36
S11	10	#4	STR	7'-0"	47
S13	2	#3	STR	1'-4"	1

* NOTE: S7 BARS SHALL BE BENT BEFORE SHIPMENT. HEAT BENDING SHALL NOT BE ALLOWED.

BAR TYPES

ALL BAR DIMENSIONS ARE OUT-TO-OUT



QUANTITIES FOR ONE GIRDER

	REINFORCING STEEL	10,000 PSI CONCRETE	0.6" Ø L. R. STRANDS
	LB.	C.Y.	No.
EXTERIOR GIRDER	1,572	22.4	50
INTERIOR GIRDER	1,572	22.4	50

GIRDERS REQUIRED

NUMBER	LENGTH	TOTAL LENGTH
7	110'-4 7/8"	772'-10 7/8"

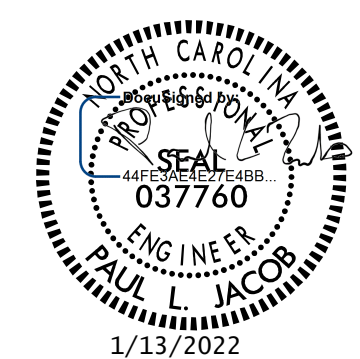
PROJECT NO. B-5737

ROCKINGHAM COUNTY

STATION: 20+86.07 -L-

SHEET 1 OF 3

STATE OF NORTH CAROLINA
 DEPARTMENT OF TRANSPORTATION
 RALEIGH
 STANDARD
 AASHTO TYPE IV
 PRESTRESSED CONCRETE GIRDER
 CONTINUOUS FOR LIVE LOAD



1/13/2022

ASSEMBLED BY : J. LOFTUS	DATE : 03-2021
CHECKED BY : P. JACOB	DATE : 07-2021
DRAWN BY : ELR 8/91	REV. 10/1/11 MAA/GM
CHECKED BY : GRP 8/91	REV. 1/15 MAA/TMG
	REV. 12/17 MAA/THC

moffatt & nichol
 4700 FALLS OF NEUSE ROAD, SUITE 300
 RALEIGH, NORTH CAROLINA 27609
 (919) 781-4626 VOICE (919) 781-4869 FAX
 NC License No.: F-0105

DOCUMENT NOT CONSIDERED
 FINAL UNLESS ALL
 SIGNATURES COMPLETED

REVISIONS						SHEET NO. S-9
NO.	BY:	DATE:	NO.	BY:	DATE:	
1			3			TOTAL SHEETS 29
2			4			

1/12/2022 10:10:01-103\B5737-Structures\01-CADD\03-Final Drawings\01_017_B5737_SMU_GDR01_009_780108.dgn
 P. JACOB