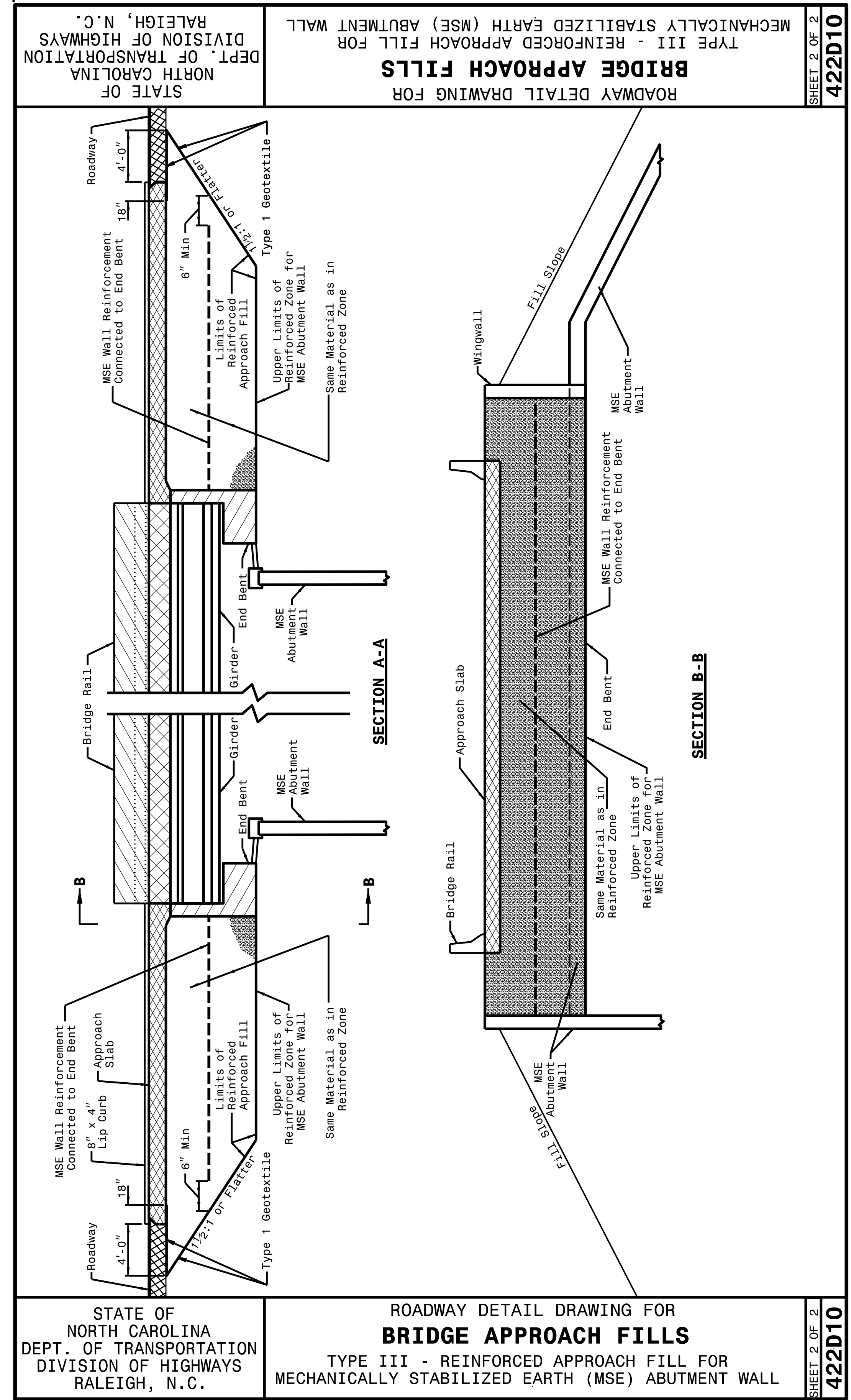


STATE OF NORTH CAROLINA  
DEPT. OF TRANSPORTATION  
DIVISION OF HIGHWAYS  
RALEIGH, N.C.

ROADWAY DETAIL DRAWING FOR  
**BRIDGE APPROACH FILLS**  
TYPE III - REINFORCED APPROACH FILL FOR  
MECHANICALLY STABILIZED EARTH (MSE) ABUTMENT WALL

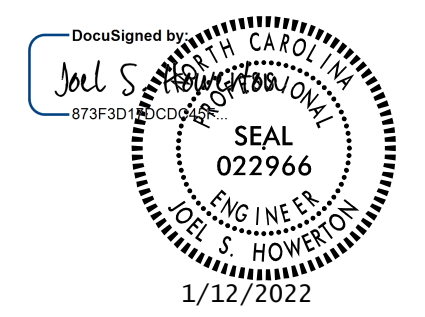
SHEET 1 OF 2  
**422D10**



STATE OF NORTH CAROLINA  
DEPT. OF TRANSPORTATION  
DIVISION OF HIGHWAYS  
RALEIGH, N.C.

ROADWAY DETAIL DRAWING FOR  
**BRIDGE APPROACH FILLS**  
TYPE III - REINFORCED APPROACH FILL FOR  
MECHANICALLY STABILIZED EARTH (MSE) ABUTMENT WALL

SHEET 2 OF 2  
**422D10**



DOCUMENT NOT CONSIDERED FINAL  
UNLESS ALL SIGNATURES COMPLETED

**CONTRACTS STANDARDS  
AND DEVELOPMENT UNIT**  
Office 919-707-6950 FAX 919-250-4119

**TYPE III  
REINFORCED  
APPROACH FILLS**

ORIGINAL BY: K. A. KEMPF DATE: JULY 2017  
 MODIFIED BY: DATE: \_\_\_\_\_  
 CHECKED BY: DATE: \_\_\_\_\_  
 FILE SPEC.: 2018 standard drawings\division 422d10.dgn