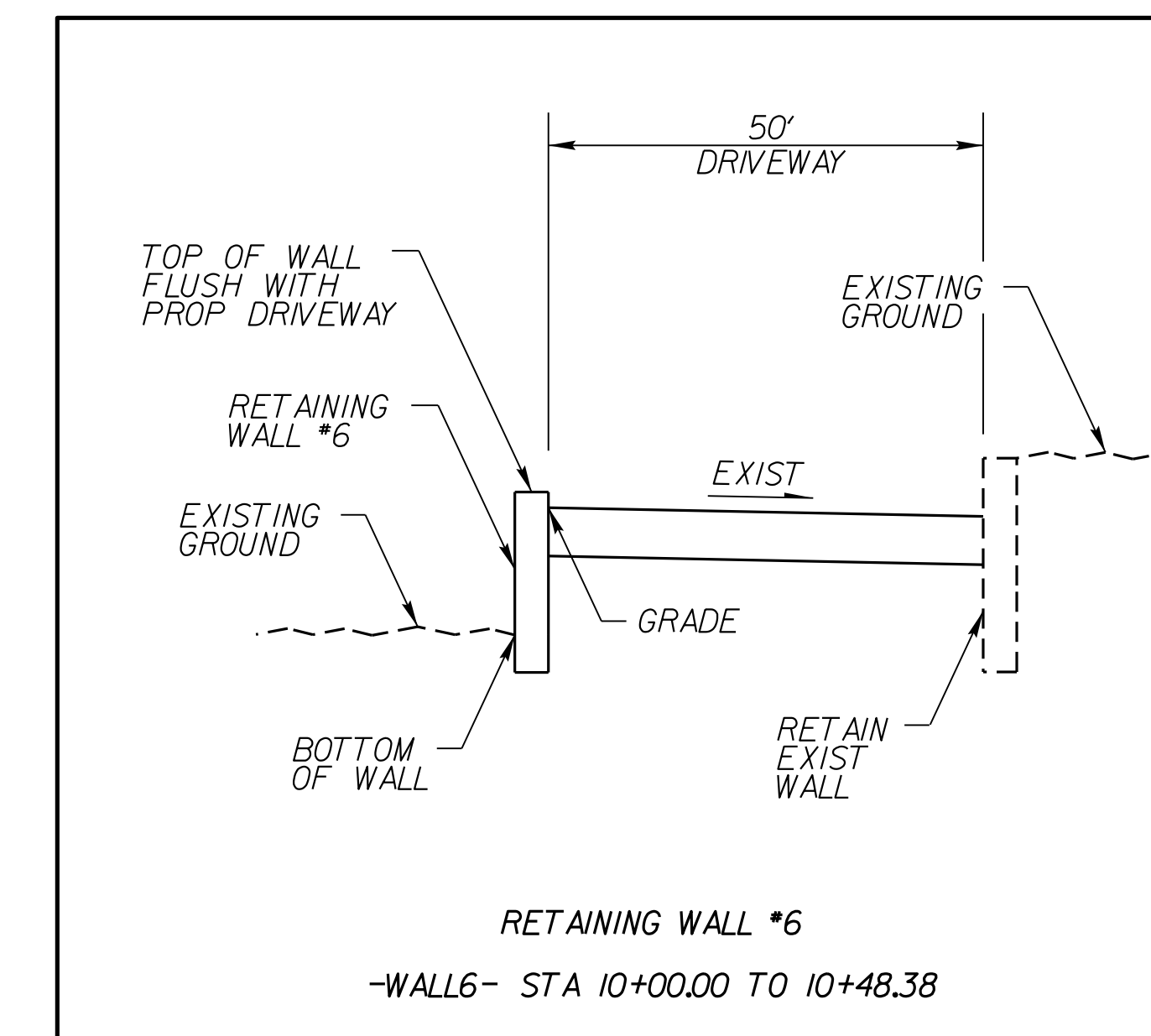
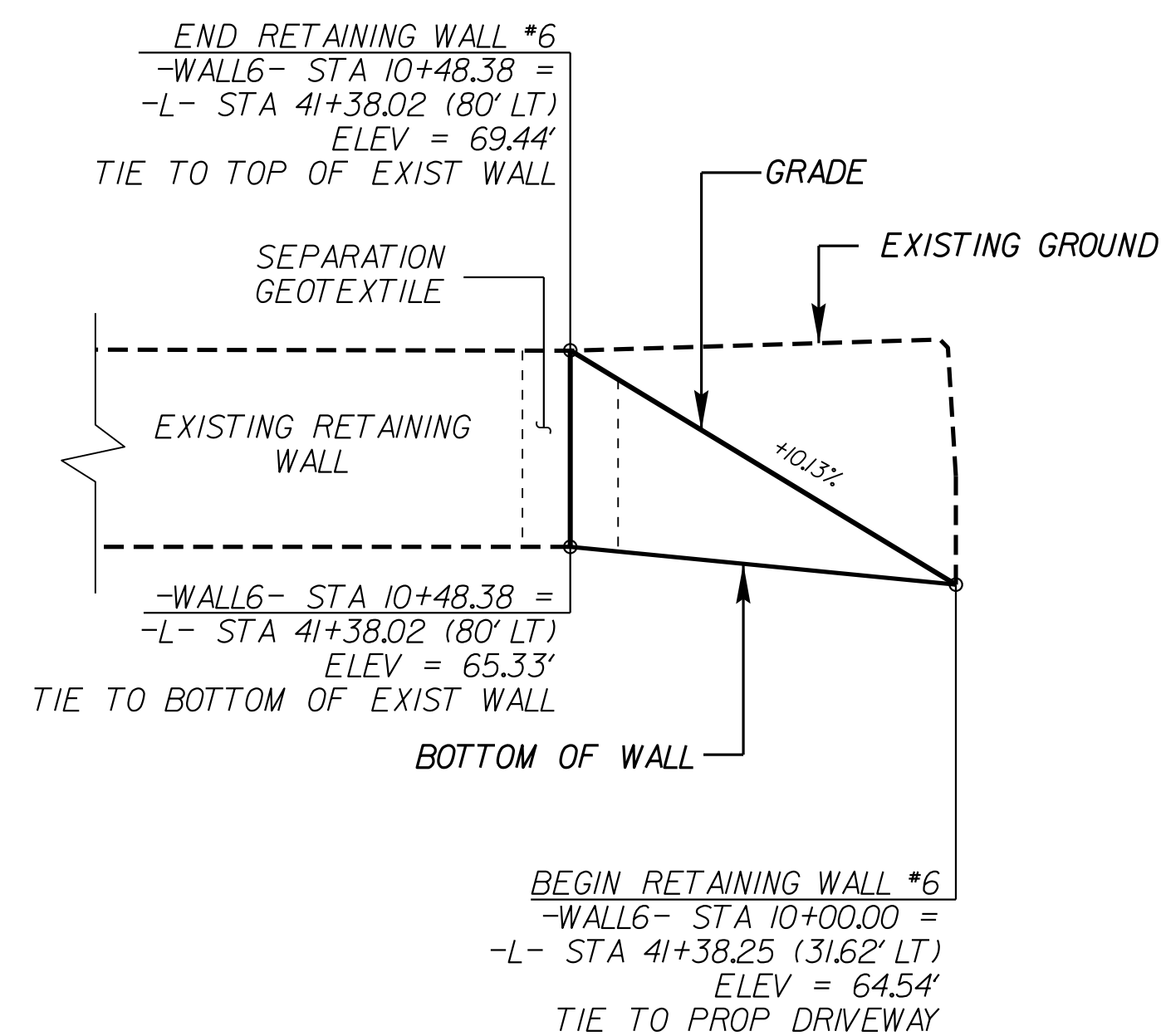


PLAN VIEW FOR RETAINING WALL NO. 6

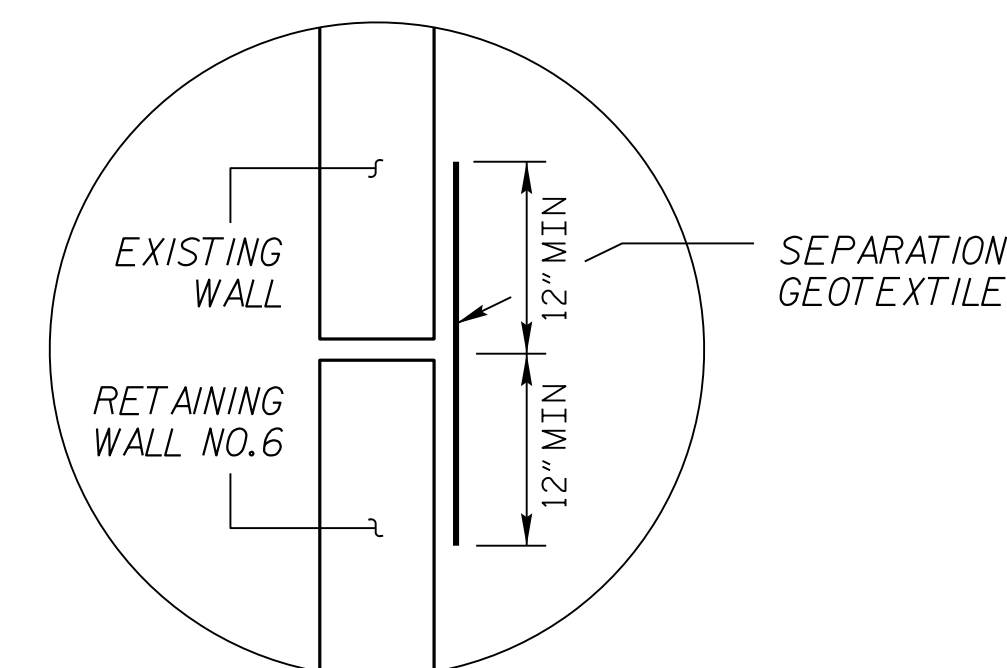


TYPICAL SECTION NO. 6



WALL ENVELOPE FOR RETAINING WALL NO. 6

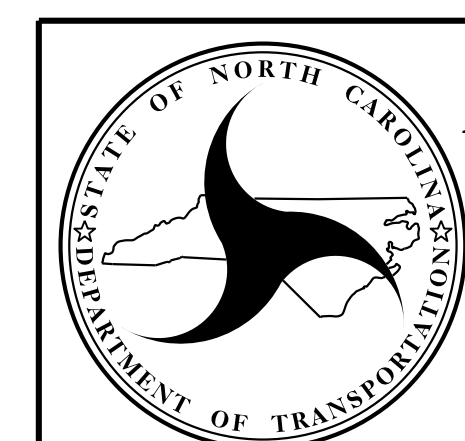
EXPOSED WALL FACE VIEW, N.T.S.
THE WALL ENVELOPE DOES NOT ACCURATELY DEPICT THE ACTUAL FACE OF THE WALL



DETAILS A
N.T.S.

ESTIMATED MSE WALL QUANTITY	
MSE RETAINING WALL NO. 6	180 SF

PREPARED BY: J. PARK	DATE: 02/2018
REVIEWED BY: J. BATTS	DATE: 02/2018



NORTH CAROLINA
DEPARTMENT OF TRANSPORTATION
DIVISION OF HIGHWAYS

GEOTECHNICAL
ENGINEERING UNIT

RETAINING WALL NO. 6
PLAN VIEW AND
WALL ENVELOPE

REVISIONS					
NO.	BY	DATE	NO.	BY	DATE
1			3		
2			4		