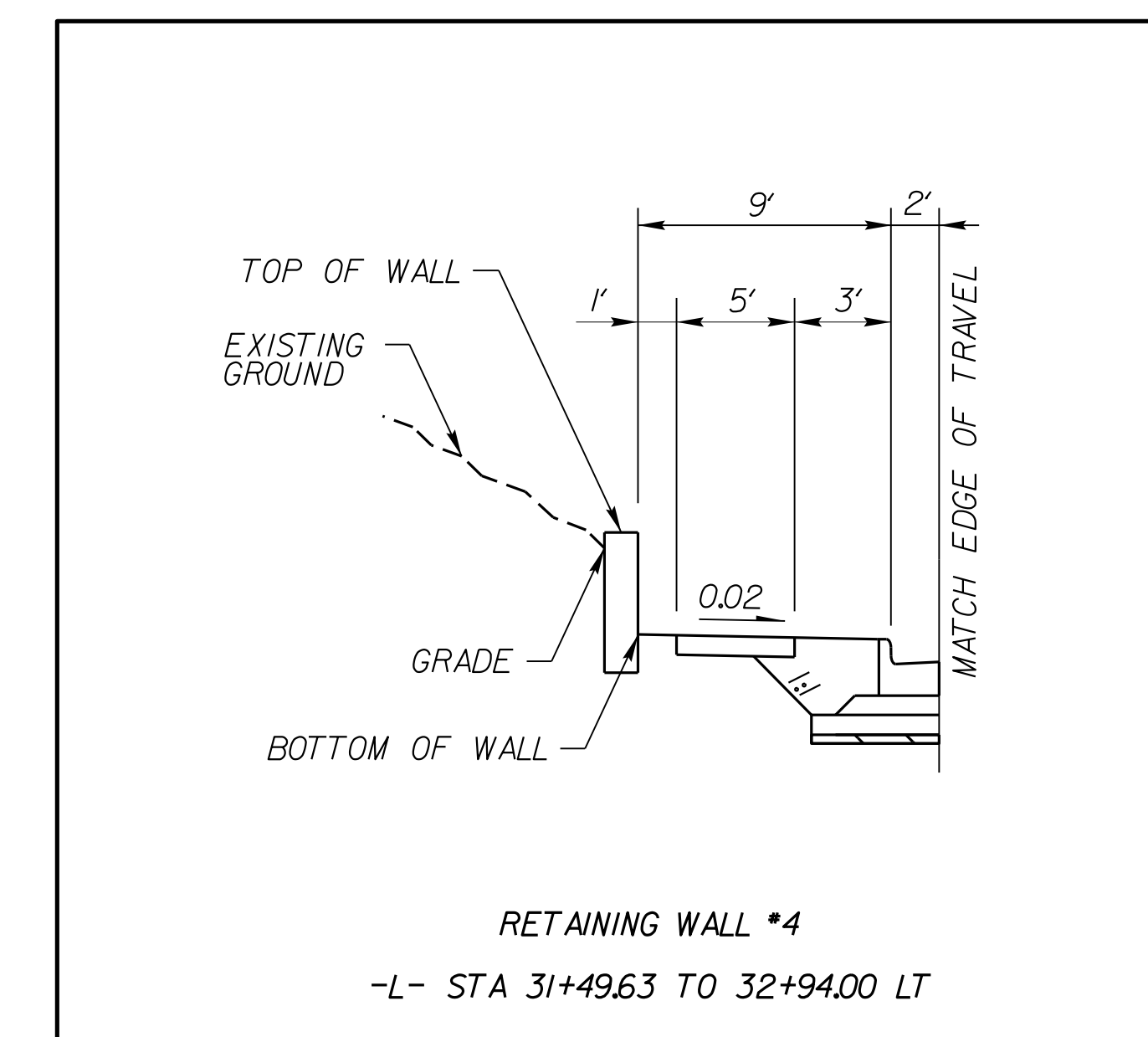
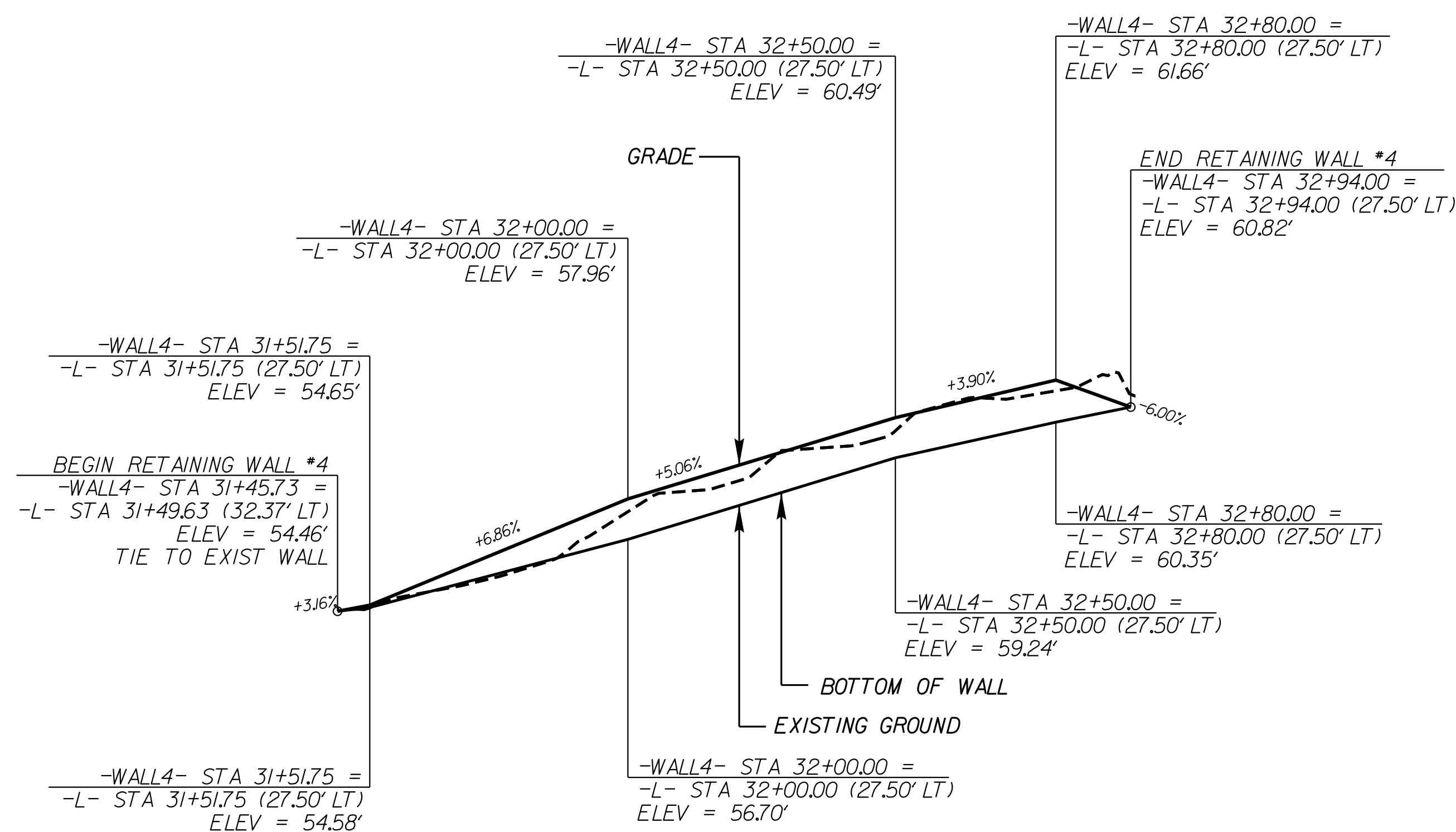


PLAN VIEW FOR RETAINING WALL NO. 4



TYPICAL SECTION NO. 4

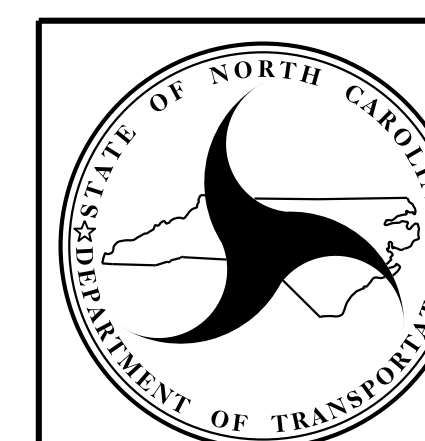
| ESTIMATED SEGMENTAL GRAVITY RETAINING WALL NO. 4 QUANTITY | |
|---|--------|
| SEGMENTAL GRAVITY RETAINING WALLS | 350 SF |



WALL ENVELOPE FOR RETAINING WALL NO. 4

EXPOSED WALL FACE VIEW, N.T.S.
THE WALL ENVELOPE DOES NOT ACCURATELY
DEPICT THE ACTUAL FACE OF THE WALL

PREPARED BY: J. PARK DATE: 02/2018
REVIEWED BY: J. BATTS DATE: 02/2018



NORTH CAROLINA
DEPARTMENT OF TRANSPORTATION
DIVISION OF HIGHWAYS

GEOTECHNICAL
ENGINEERING UNIT

RETAINING WALL NO. 4
PLAN VIEW AND
WALL ENVELOPE

| REVISIONS | | | | | |
|-----------|----|------|-----|----|------|
| NO. | BY | DATE | NO. | BY | DATE |
| 1 | - | - | 3 | - | - |
| 2 | - | - | 4 | - | - |