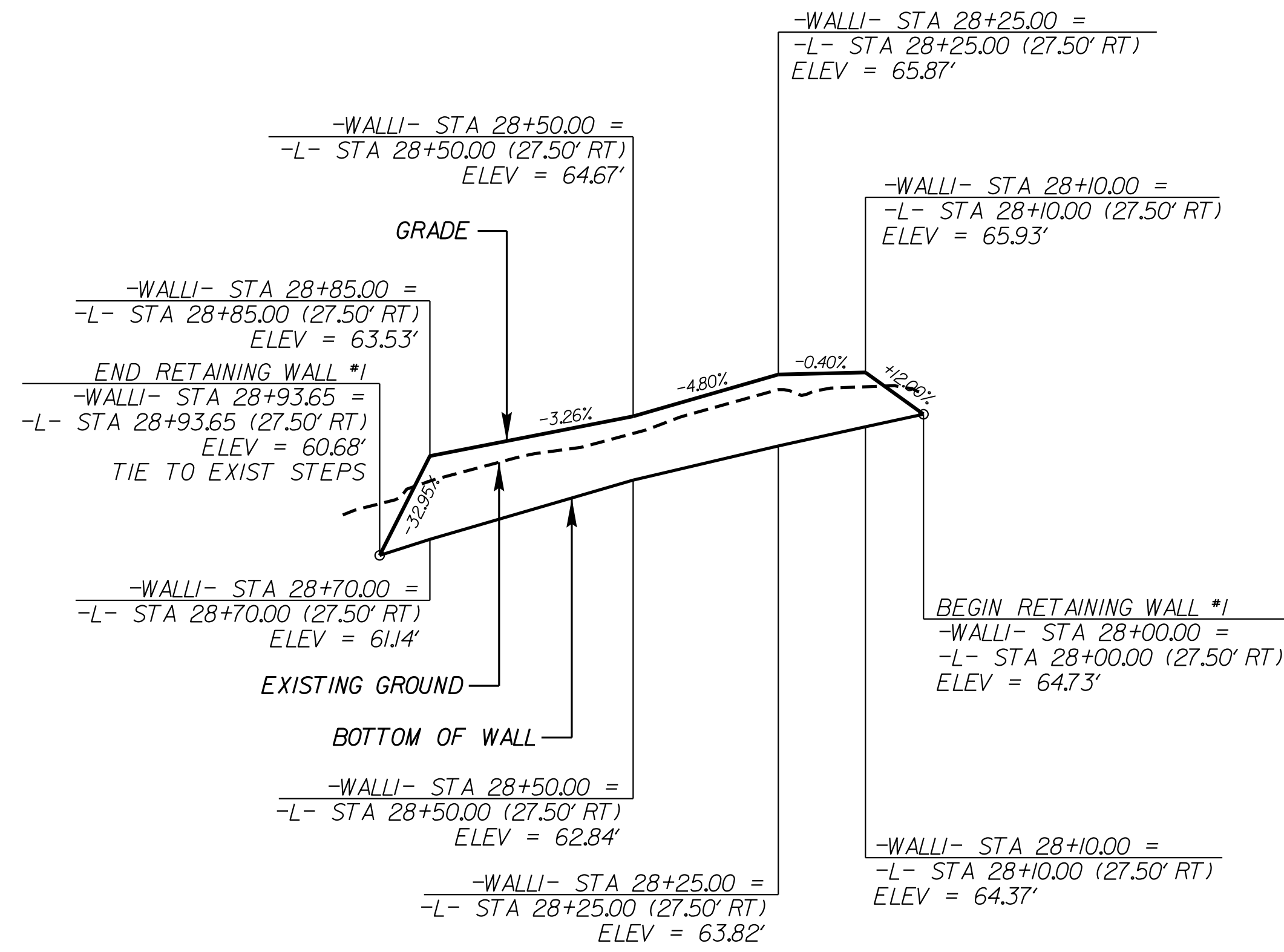
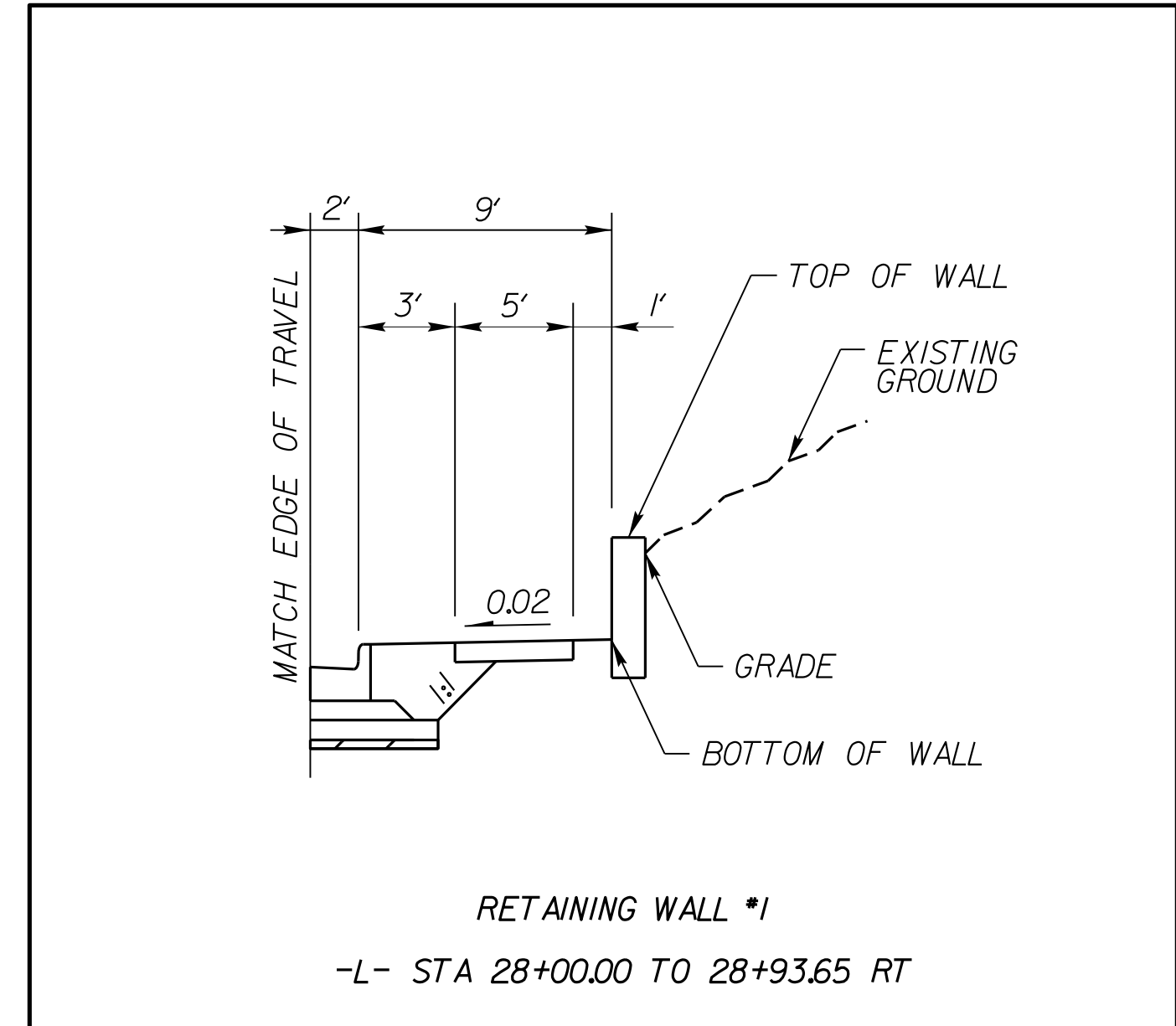


PLAN VIEW FOR RETAINING WALL NO. 1



WALL ENVELOPE FOR RETAINING WALL NO. 1
 EXPOSED WALL FACE VIEW, N.T.S.
 THE WALL ENVELOPE DOES NOT ACCURATELY
 DEPICT THE ACTUAL FACE OF THE WALL



TYPICAL SECTION NO. 1

ESTIMATED SEGMENTAL GRAVITY RETAINING WALL NO. 1 QUANTITY	
SEGMENTAL GRAVITY RETAINING WALLS	300 SF