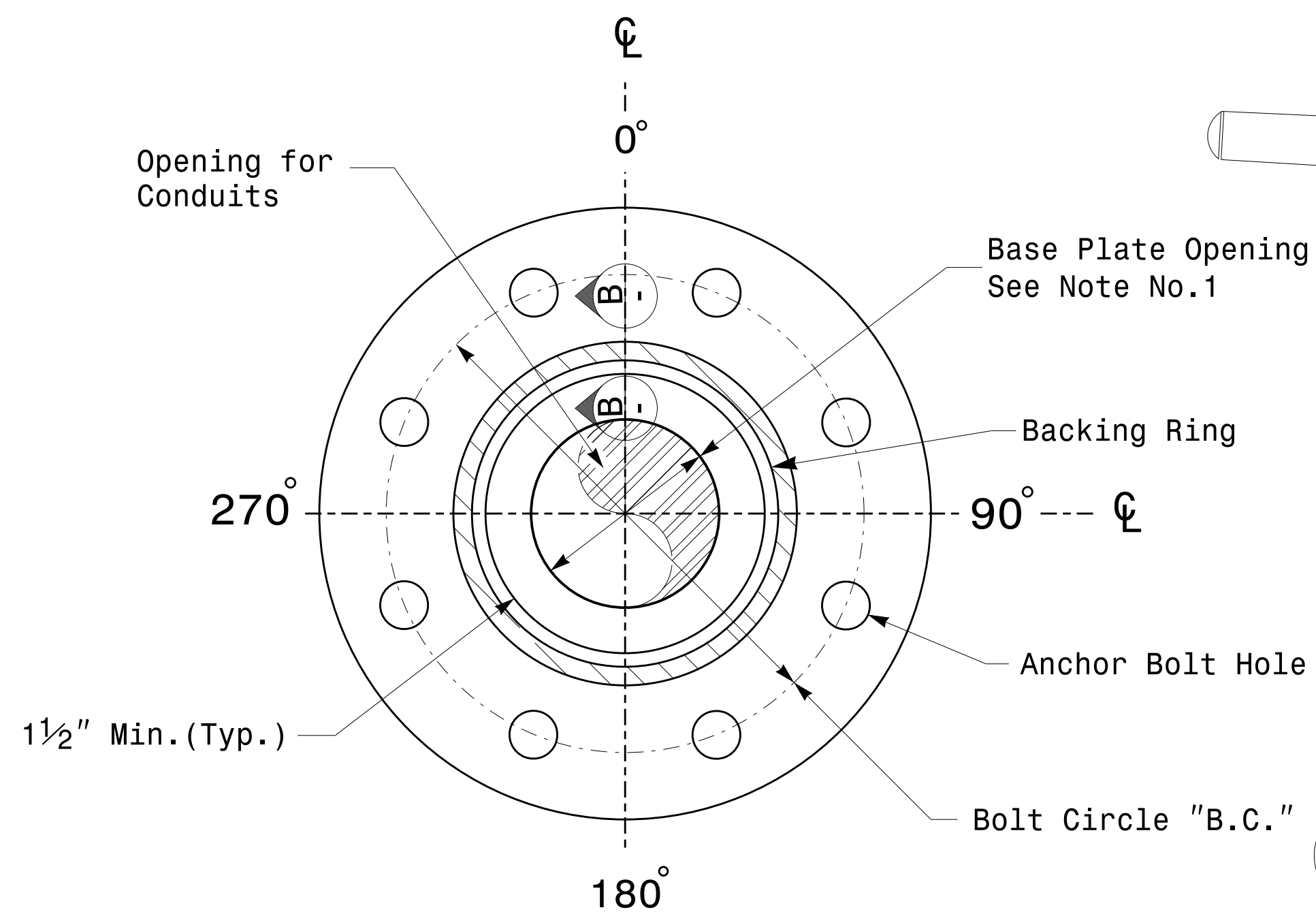
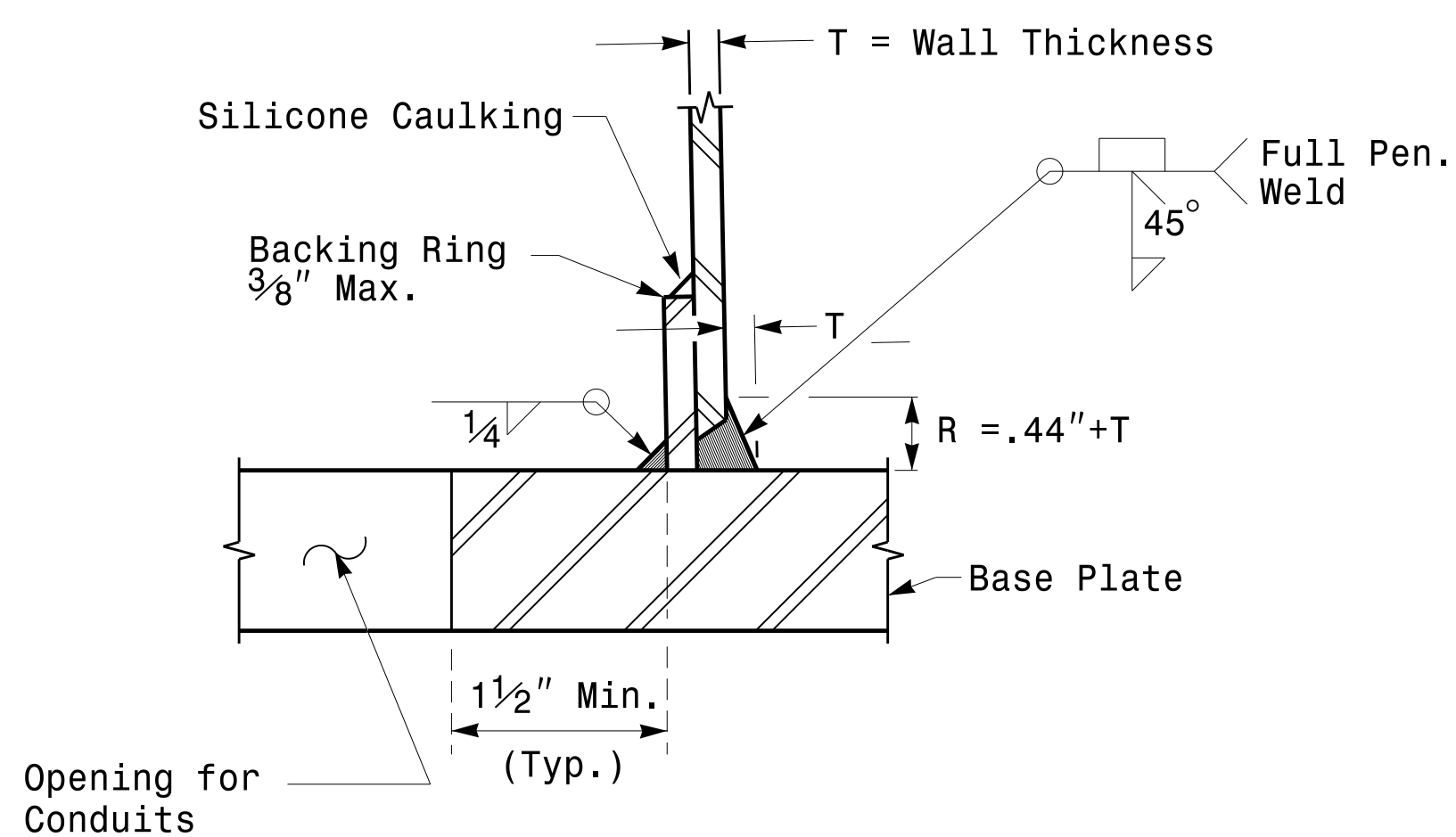


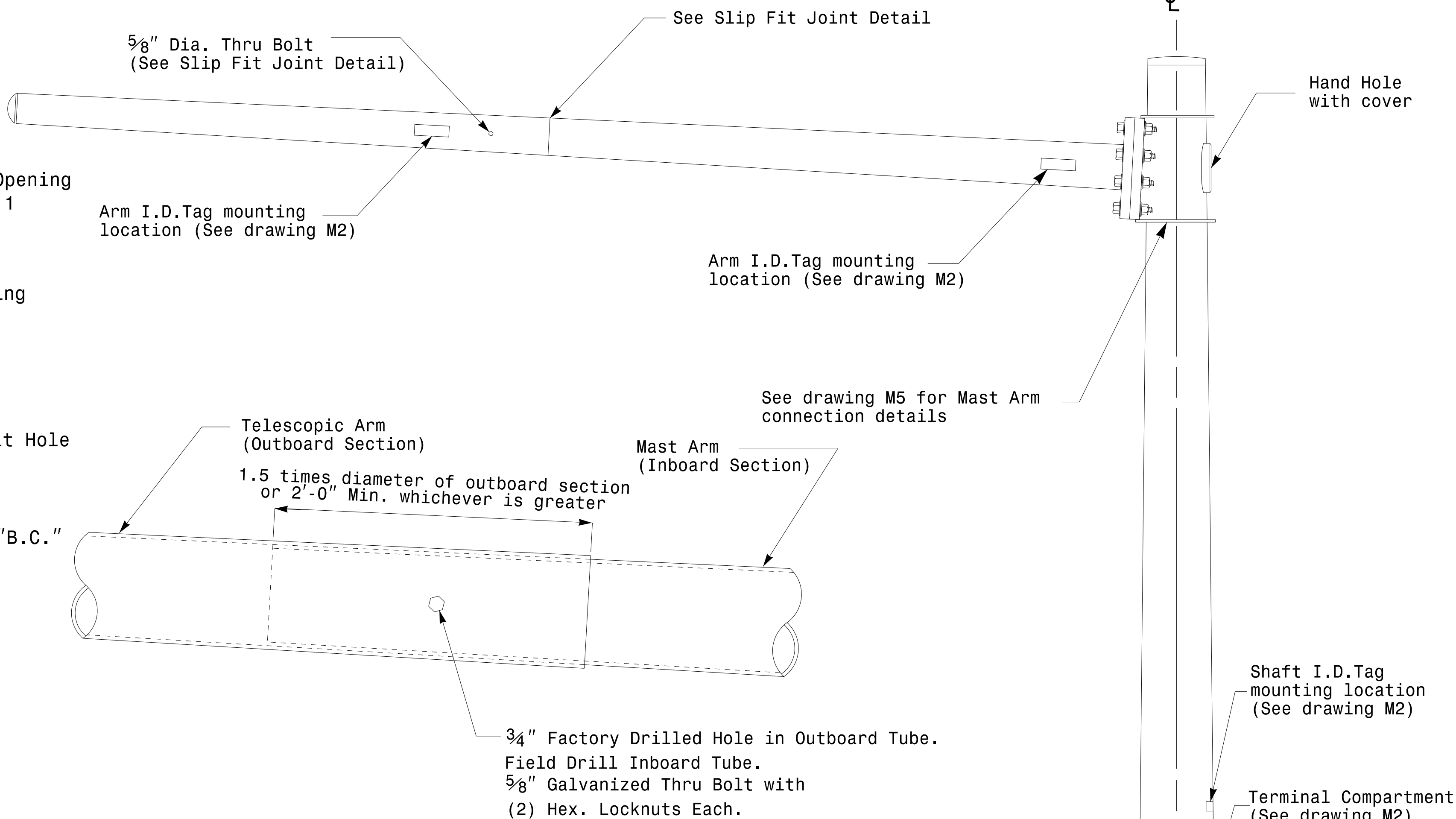
Note:
 1. Opening in pole base plate shall be equal to pole base inside diameter minus 3 1/2" but shall not be less than 8 1/2".



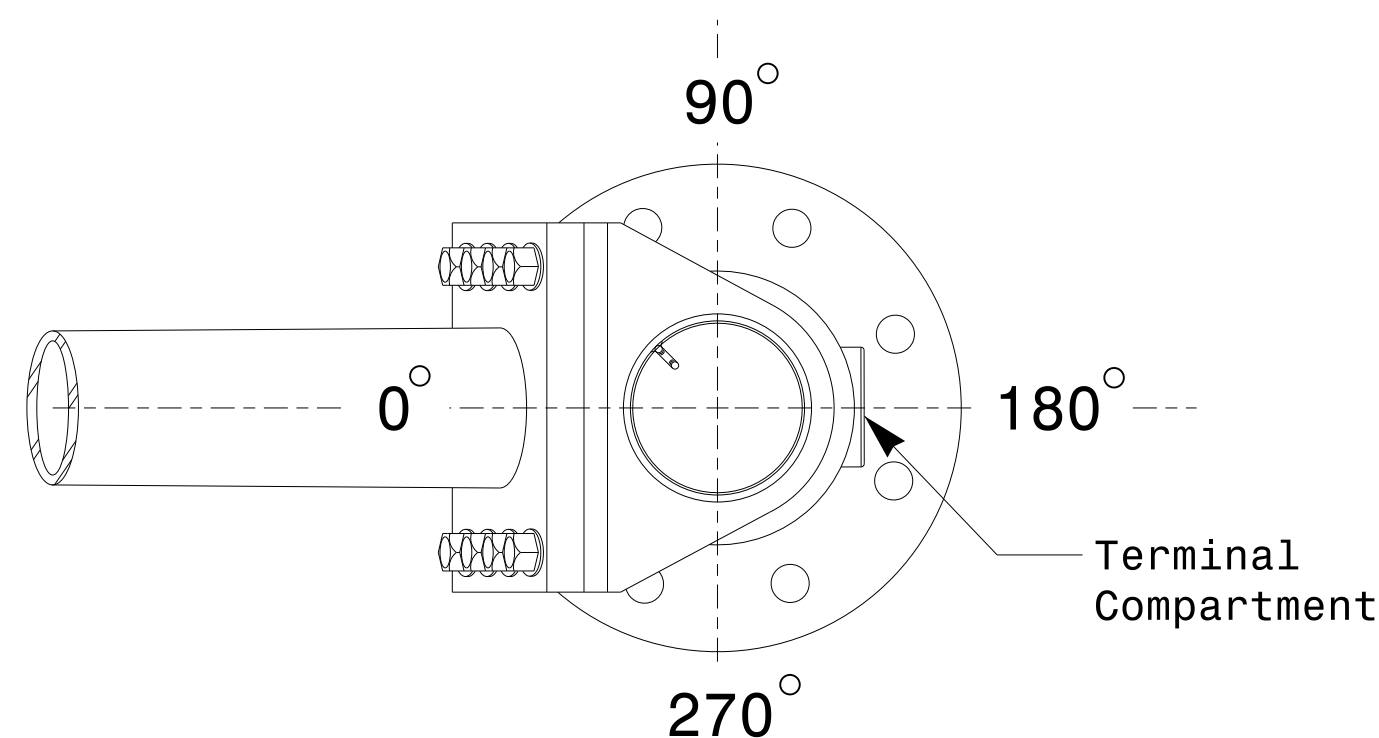
Section A-A
 Pole Base Plate Details



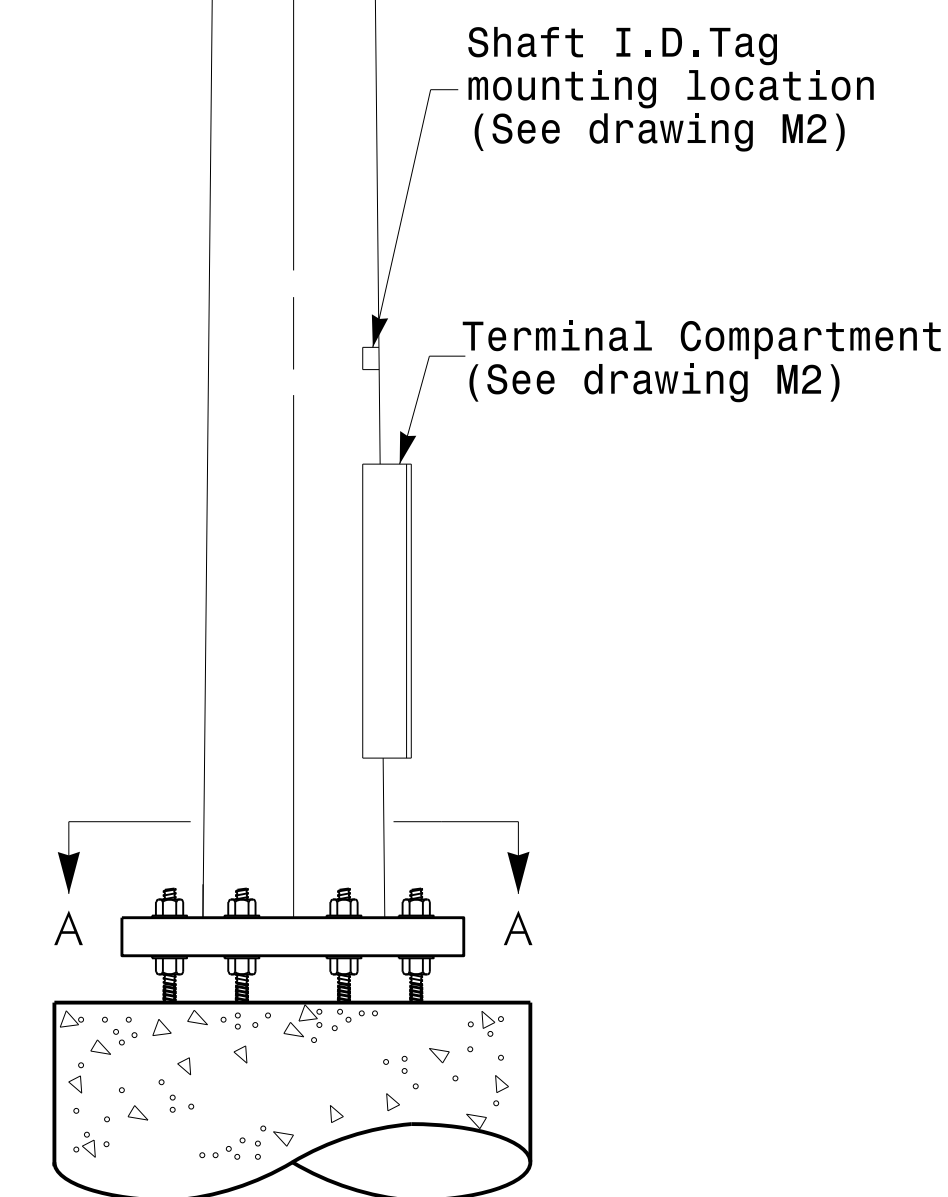
Section B-B
 (Pole Attachment to Base Plate)
 Full-Penetration Groove Weld Detail



Slip Fit Joint Detail for Mast Arm



Mast Arm Radial Orientation



Mast Arm Pole

	Typical Fabrication Details For Mast Arm Poles		SEAL
	PLAN DATE: OCTOBER 2017 DESIGNED BY: K.C. DURIGON PREPARED BY: N. BITTING REVIEWED BY: D.C. SARKAR	REVISIONS INIT. DATE	

Fabrication Details – Mast Arm Poles

11-OCT-2017 08:33 136560115 Signal Design Section Design Section Eastern Region\m4 Sheets\2016\2014 Sig.M4 Std. Fabrication Detail\Mast Arm Poles.dgn