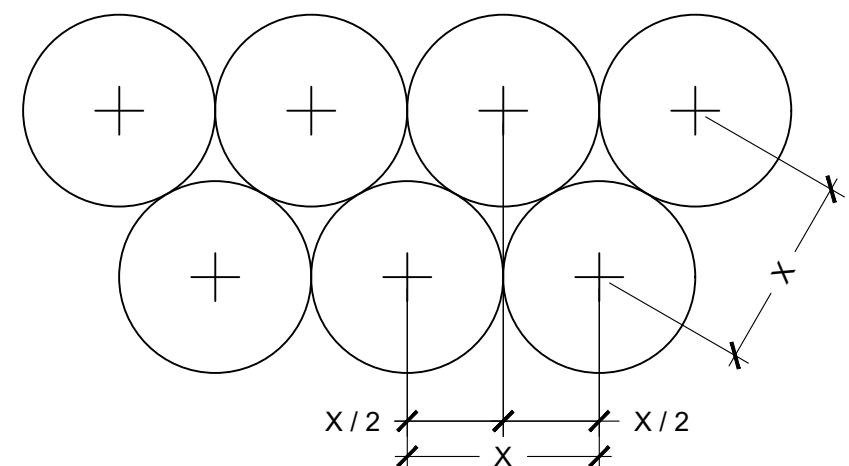
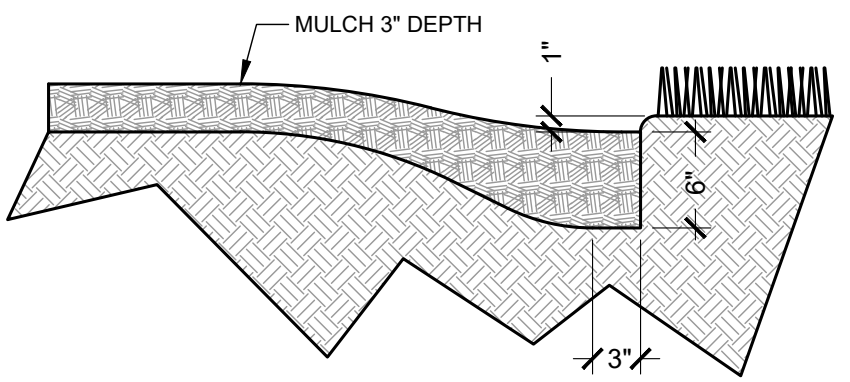


PROJECT REFERENCE NO. U-5606	SHEET NO. LA-21
SHEET TITLE: PLANTING DETAILS	
LANDSCAPE ARCHITECT	
<b>DOCUMENT NOT CONSIDERED FINAL UNLESS ALL SIGNATURES COMPLETED</b>	



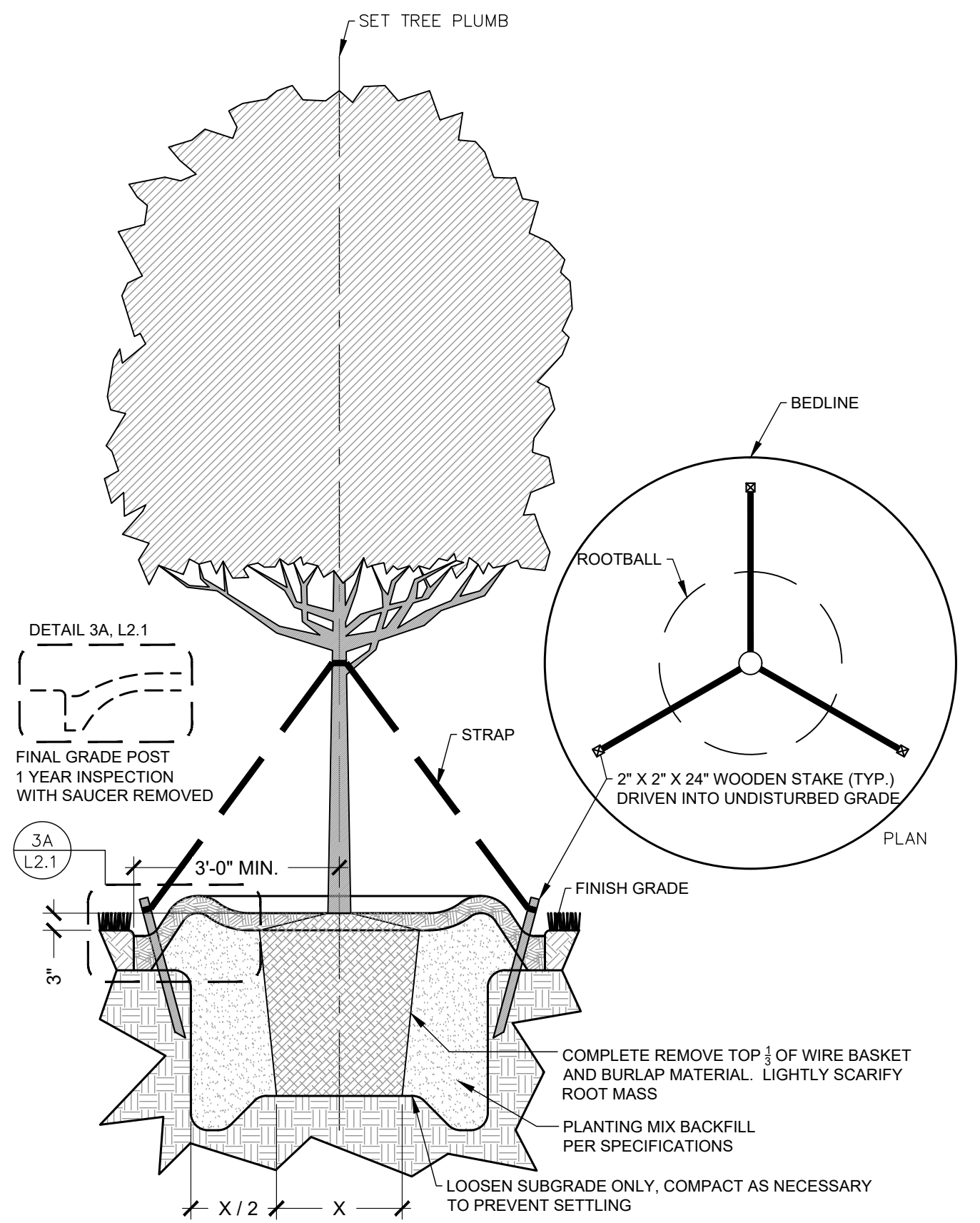
- PLANT SPACING NOTES:**
1. SEE PLANTING PLAN FOR SHRUB AND GROUND COVER AREAS.
  2. PLANT MATERIAL SHALL BE INSTALLED IN STRAIGHT AND PARALLEL ROWS UNLESS OTHERWISE SHOWN ON DRAWINGS.
  3. SEE PLANTING PLAN AND / OR PLANT SCHEDULE FOR ACTUAL PLANT SPACING.

**1 TYPICAL STAGGERED ROW PLANT SPACING**  
 LA-21 SCALE: 1/2"=1'-0" PLAN



- PLANTING BED TRENCH EDGING NOTE:**
1. TRENCH EDGE SHALL BE LOCATED BETWEEN PLANTING BED AND ALL TURF OR NATIVE GRASS AREAS.
  2. TRENCH EDGE SHALL BE CONSTRUCTED ALONG ALL HARDSCAPE AREAS FOR SIMILAR CONDITION.
  3. MAINTAIN POSITIVE DRAINAGE IN ALL PLANTING BEDS.
  4. SEE GENERAL LANDSCAPE NOTES FOR TYPE OF MULCH.

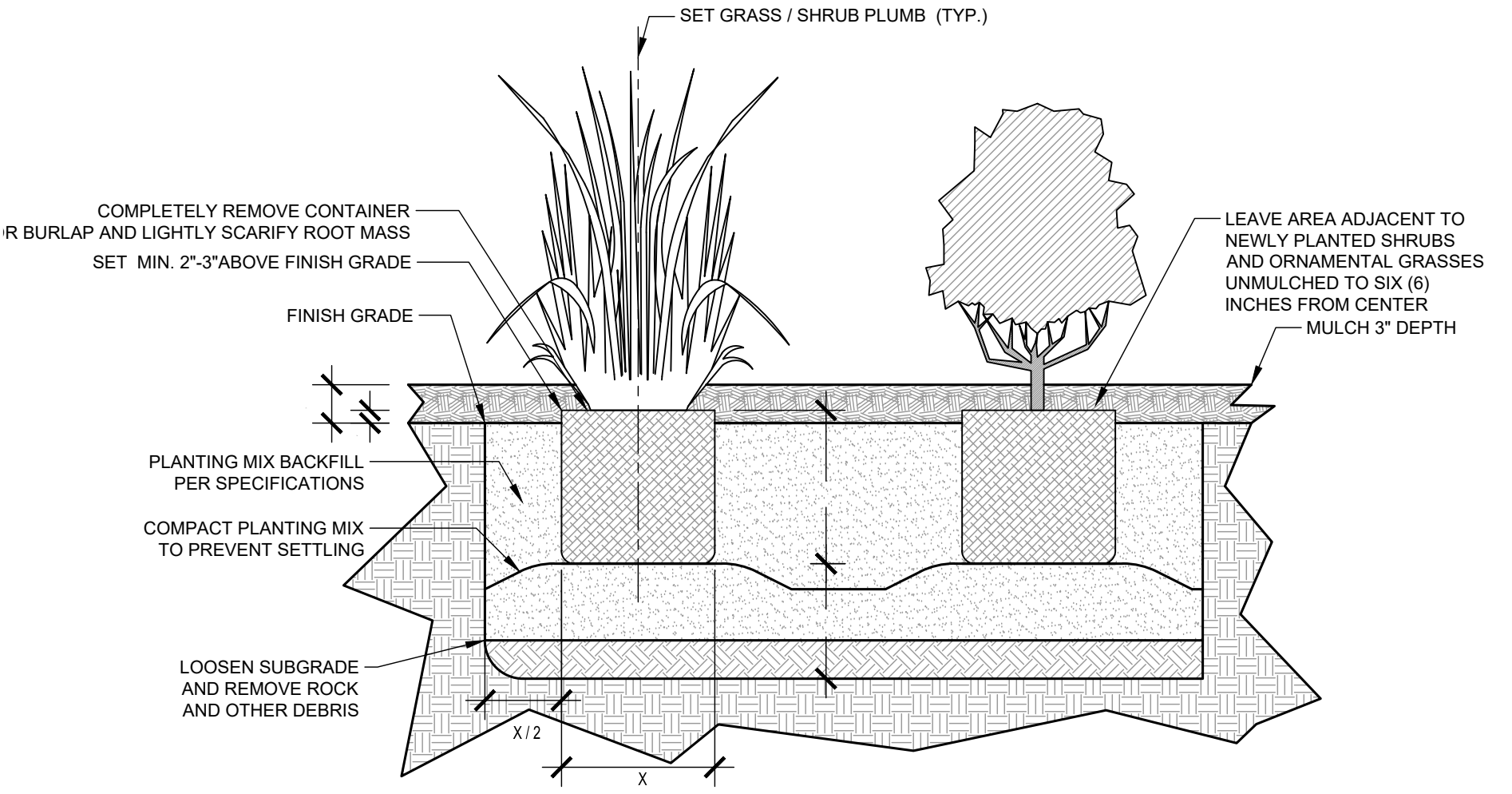
**2 PLANTING BED TRENCH EDGING**  
 LA-21 SCALE: 1"=1'-0" SECTION



- TREE PLANTING NOTES:**
1. SET TREE MIN. 3" ABOVE SURROUNDING FINISH GRADE. MEASURED AT BASE OF TRUNK.
  2. REDUCE TYPICAL 3" MULCH DEPTH SURROUNDING WOODY TRUNK TO 2" DEEP AND PULL MUCH BACK 3" FROM TRUNK

**3 TYPICAL TREE PLANTING**  
 LA-21 SCALE: 1/2"=1'-0" SECTION

- GENERAL LANDSCAPE NOTES:**
1. ALL PLANT MATERIAL PRICING SHALL INCLUDE MULCH, BED PREPARATION, AND STAKING.
  2. ALL PLANTING BEDS SHALL RECEIVE 3" (THREE INCHES) OF MULCH.  
 MULCH TYPE FOR PROJECT: DOUBLE SHREDDED HARDWOOD HARDWOOD DESIGNER MULCH IN DARK BROWN OR CURRENT COUNTY STANDARD
  3. PLANT MATERIAL SPACING SHOWN ON LANDSCAPE PLANS SHALL OVERRIDE TYPICAL PLANT SPACING INDICATED ON PLANT SCHEDULE. LANDSCAPE CONTRACTOR RESPONSIBLE FOR VERIFYING ALL PLANT SPACING AND MAKING MINOR FIELD ADJUSTMENTS DUE TO UTILITY CONFLICTS.
  4. ALL SHRUBS SHALL CONFORM TO THE STANDARDS SET FORTH IN THE MOST RECENT 'AMERICAN STANDARDS FOR NURSERY STOCK' PUBLISHED BY THE AMERICAN ASSOCIATION OF NURSERYMEN (A.A.N.)
  5. SOIL ANALYSIS SHALL BE OBTAINED PRIOR TO PLANTING. SOIL SHALL BE AMENDED AS RECOMMENDED.
  6. SEE PLAN FOR SPACING



**4 TYPICAL SHRUB PLANTING**  
 LA-21 SCALE: 1"=1'-0" SECTION

REVISIONS