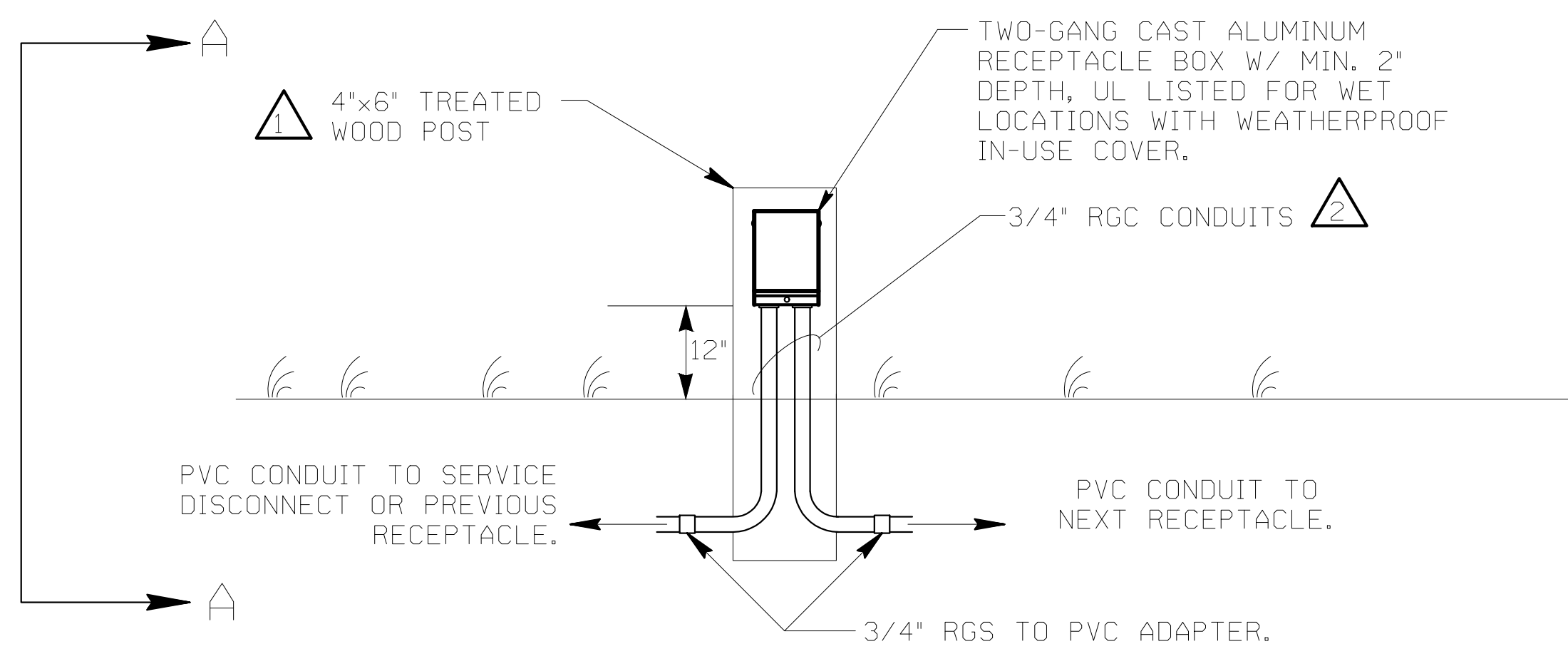
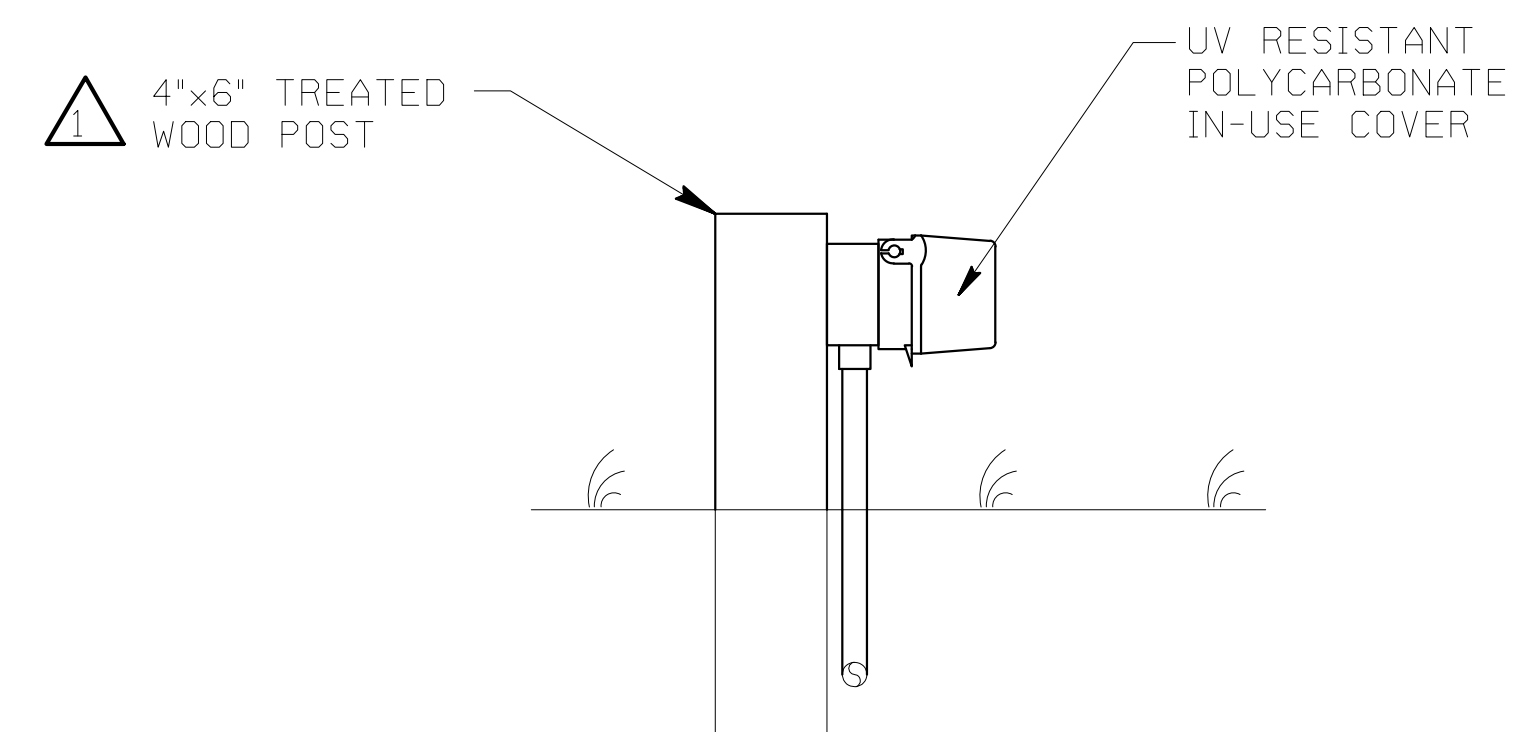


PROJECT REFERENCE NO. U-5606	SHEET NO. E-19
SHEET TITLE: LIGHTING & ELECTRICAL DETAILS	
DOCUMENT NOT CONSIDERED FINAL UNLESS ALL SIGNATURES COMPLETED	

REVISIONS



POST MOUNTED RECEPTACLE
SEE SHEET E-13 AND E-14 FOR LOCATIONS



SECTION A-A

NOTES:

- 1 USE TREATED WOODEN POST RATED FOR GROUND CONTACT. EMBED WOOD POST IN GROUND A MINIMUM OF 18". BACK FILL AND COMPACT FILL MATERIAL TO SECURE POST IN GROUND.
- 2 SECURELY STRAP CONDUIT TO WOOD POST PER NEC SPACING REQUIREMENTS.