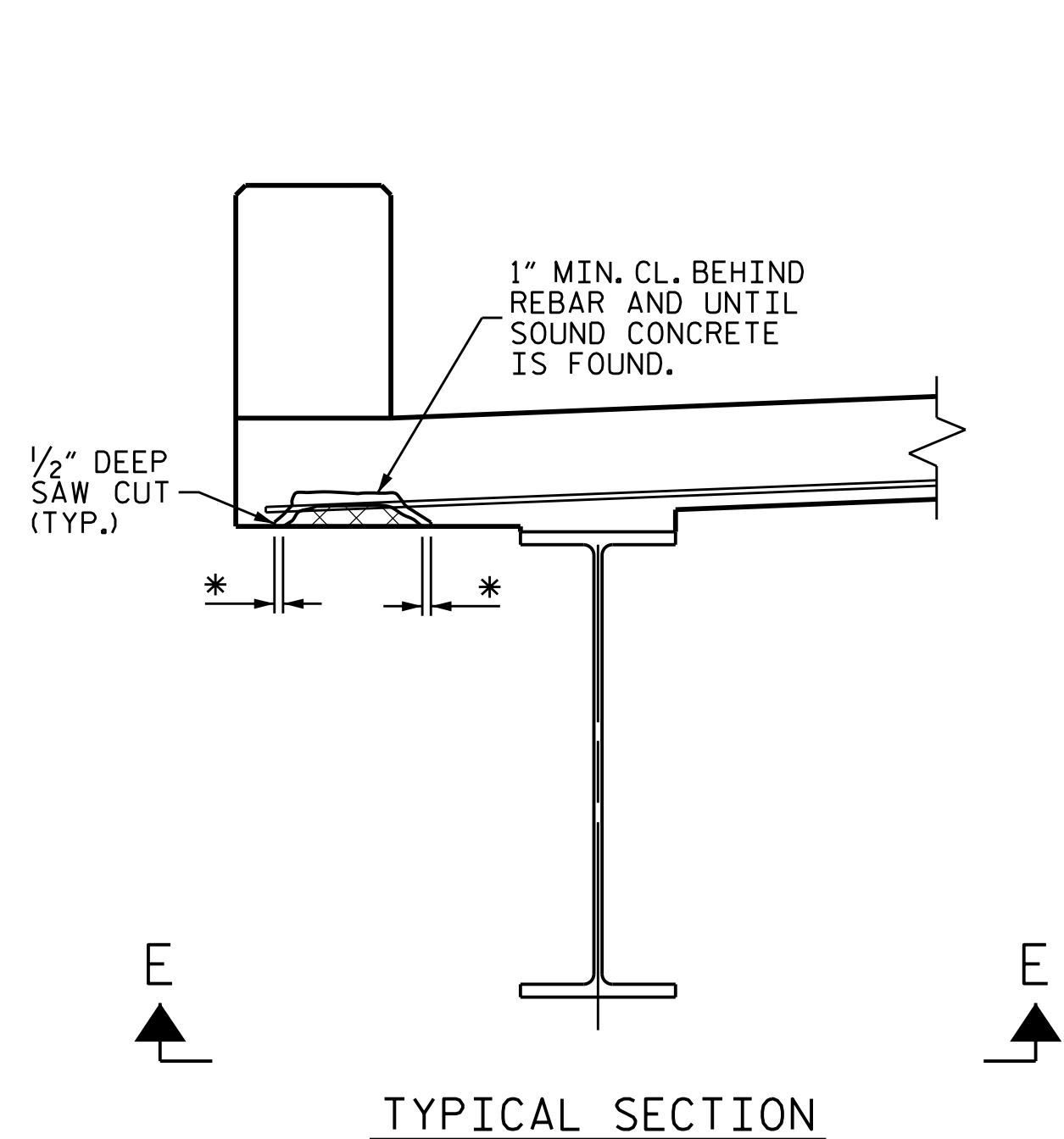
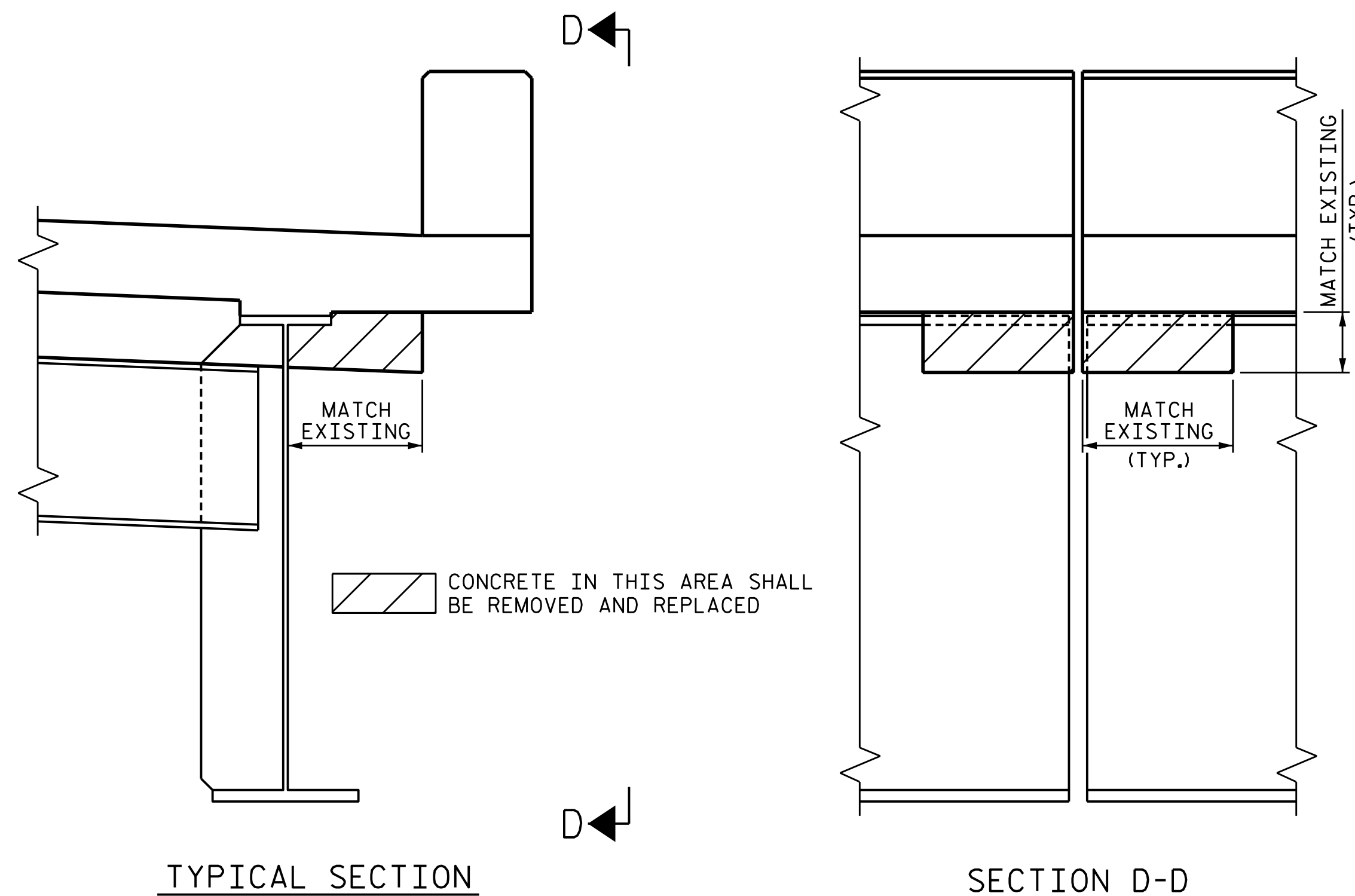


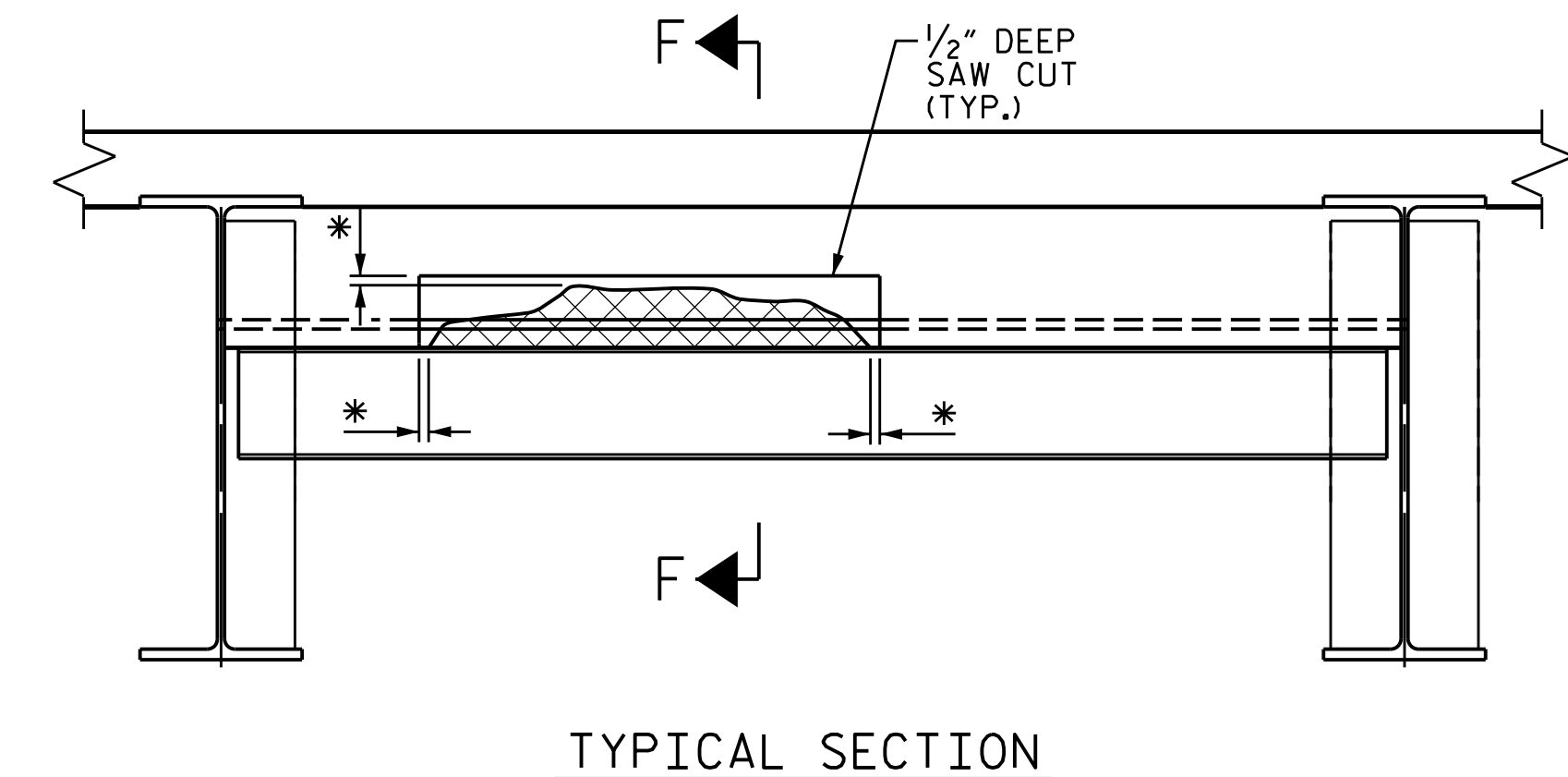
NOTE: OVERHANG DIAPHRAGMS TO BE REMOVED AND REPLACED, ARE SHOWN ON "PLAN OF SPAN" SHEETS. OVERHANG DIAPHRAGMS SHALL BE REMOVED PRIOR TO CLEANING AND PAINTING OF BEAMS AND REPLACED AFTER BEAM REPAIRS AND PAINTING ARE COMPLETE.



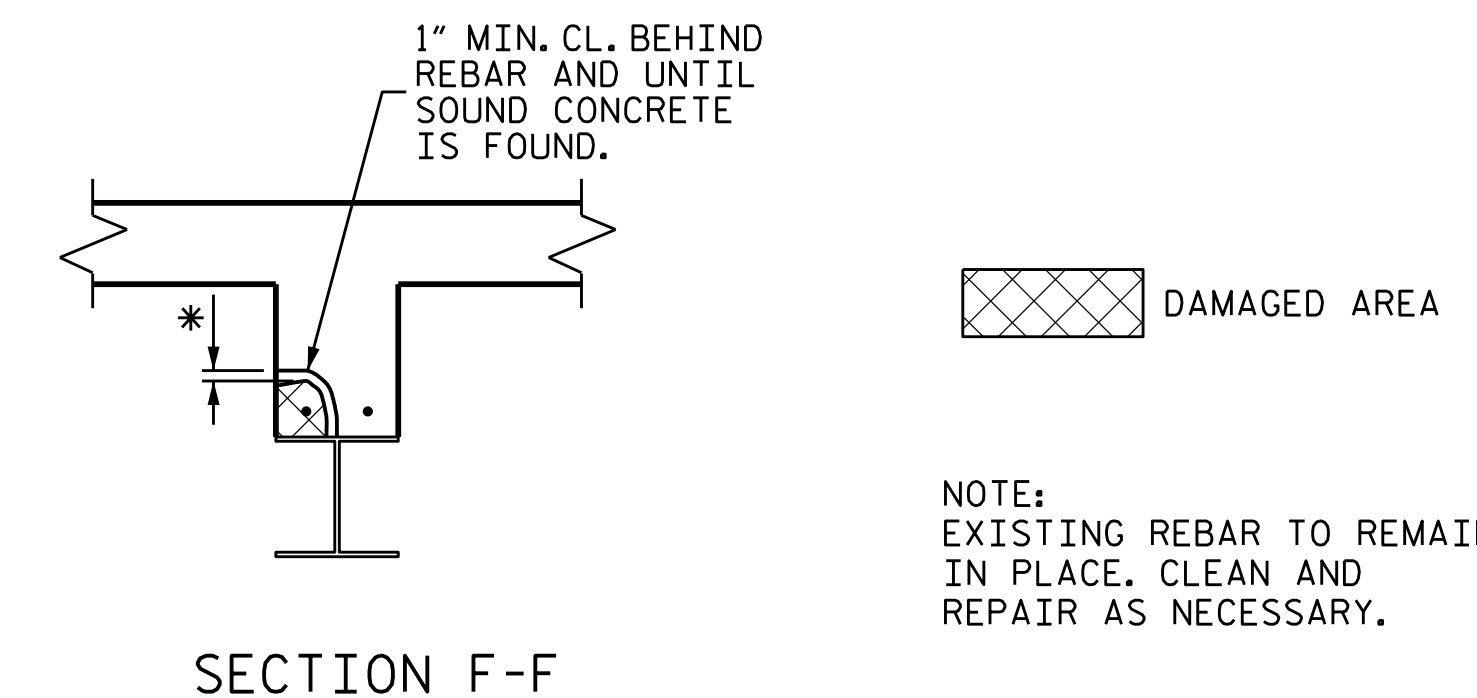
DAMAGED AREA * REMOVE CONCRETE UNTIL SOUND CONCRETE IS FOUND (2" MIN. CL.)



OVERHANG DIAPHRAGM REPLACEMENT DETAILS

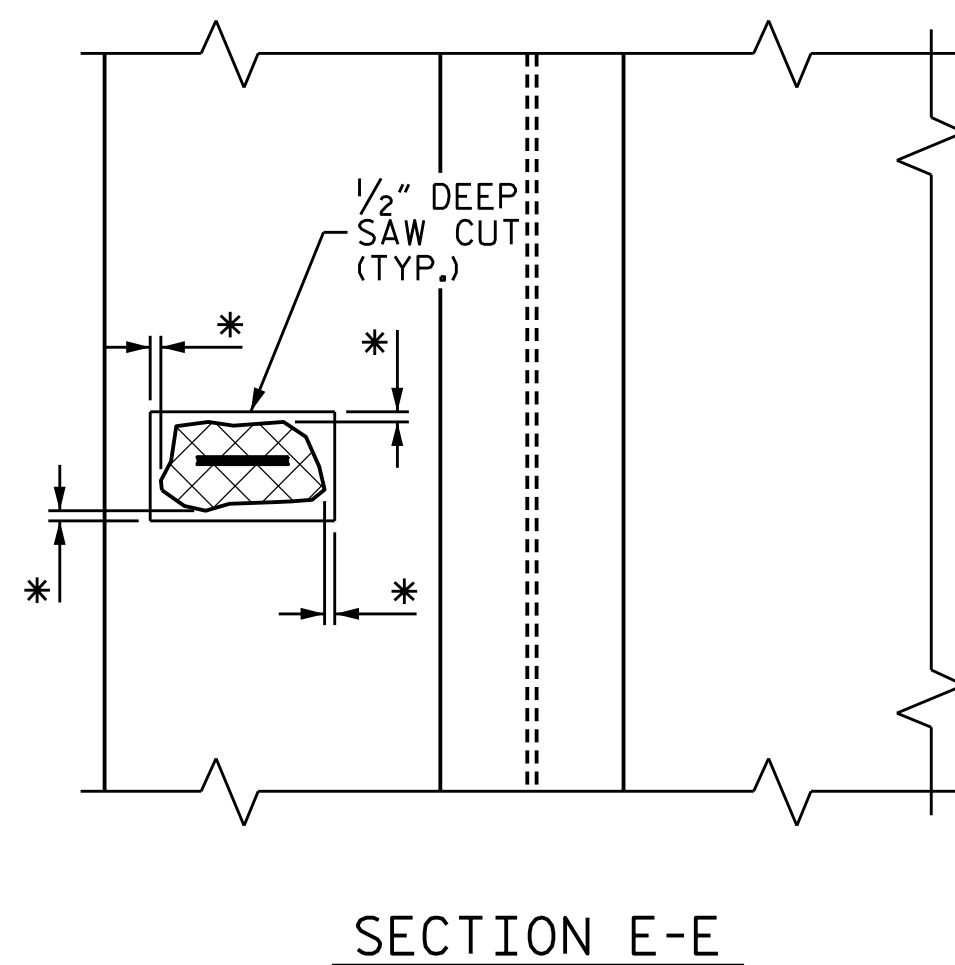


* REMOVE CONCRETE UNTIL SOUND CONCRETE IS FOUND (2" MIN. CL.)

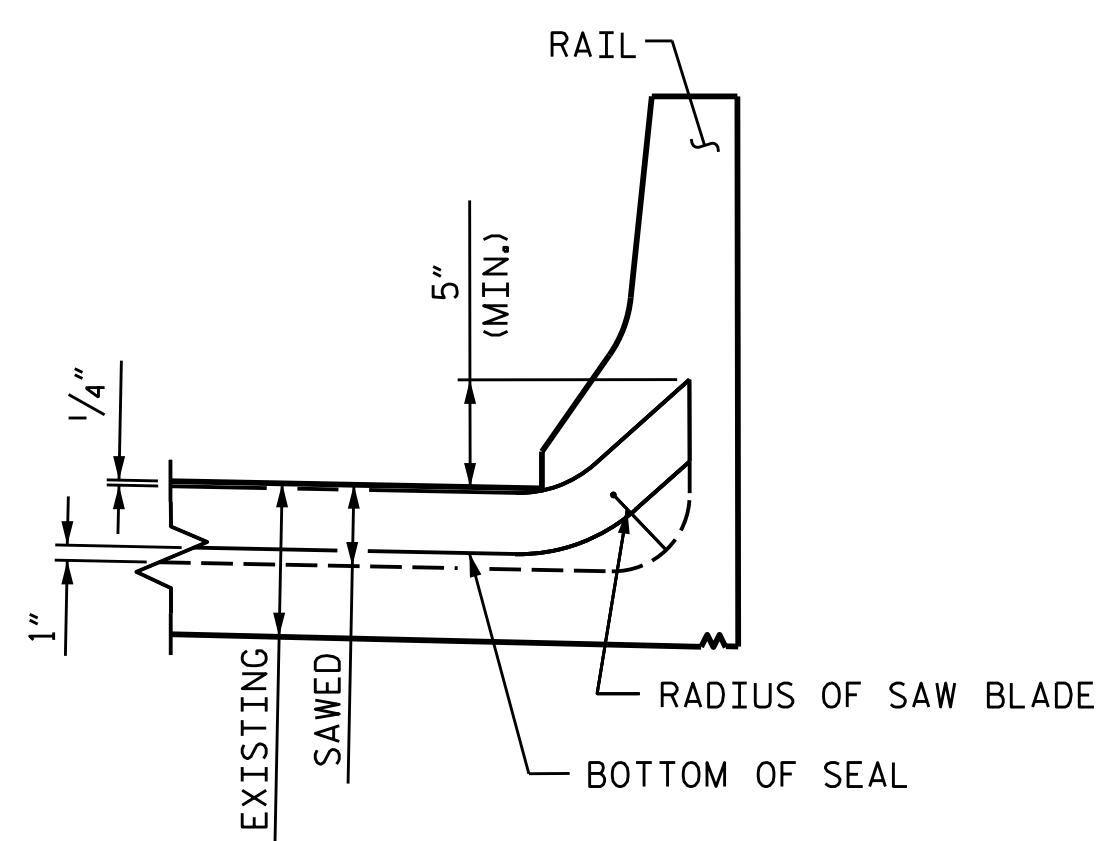


NOTE: EXISTING REBAR TO REMAIN IN PLACE. CLEAN AND REPAIR AS NECESSARY.

INTERIOR DIAPHRAGM REPAIR DETAILS

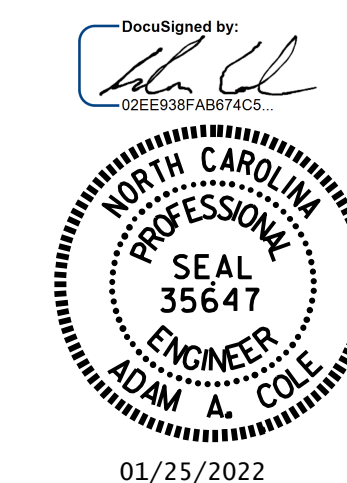


OVERHANG DETAILS



BRIDGE RAIL DETAILS

PROJ. NO. 15BPR.51
GASTON COUNTY
BRIDGE NO. 350046, 350314
350086



STATE OF NORTH CAROLINA
DEPARTMENT OF TRANSPORTATION
RALEIGH
OVERHANG, DIAPHRAGM
AND BRIDGE RAIL
REPAIR DETAILS

DRAWN BY : H.A. LOCKLEAR DATE : 12/2021
CHECKED BY : A.A. COLE DATE : 12/2021

DOCUMENT NOT CONSIDERED
FINAL UNLESS ALL
SIGNATURES COMPLETED

REVISIONS						SHEET NO.
NO.	BY:	DATE:	NO.	BY:	DATE:	S-64
1			3			TOTAL SHEETS
2			4			67