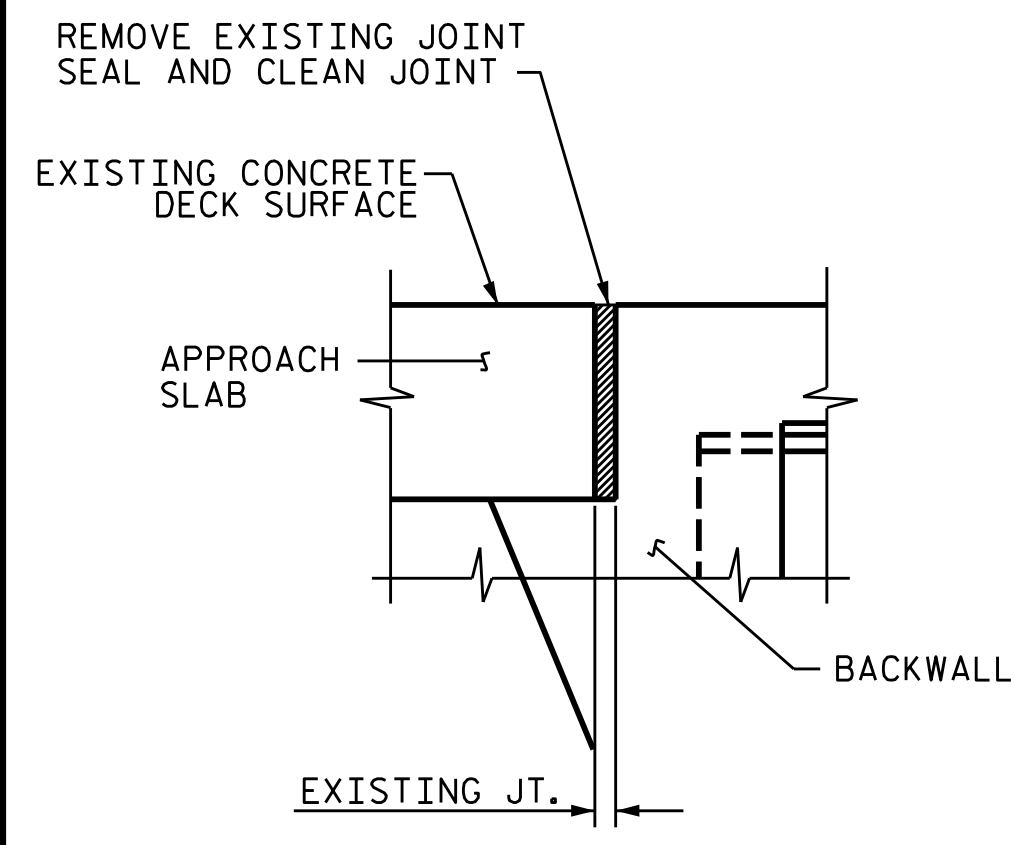
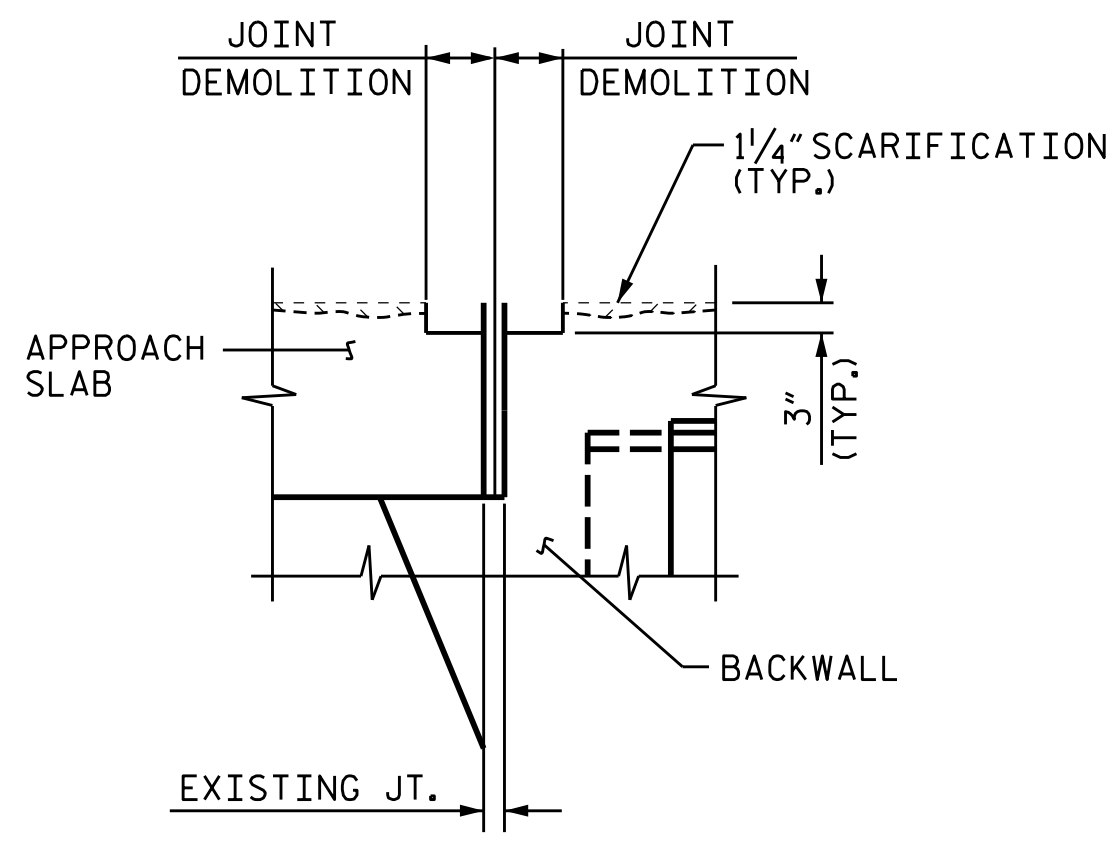


NOTES:

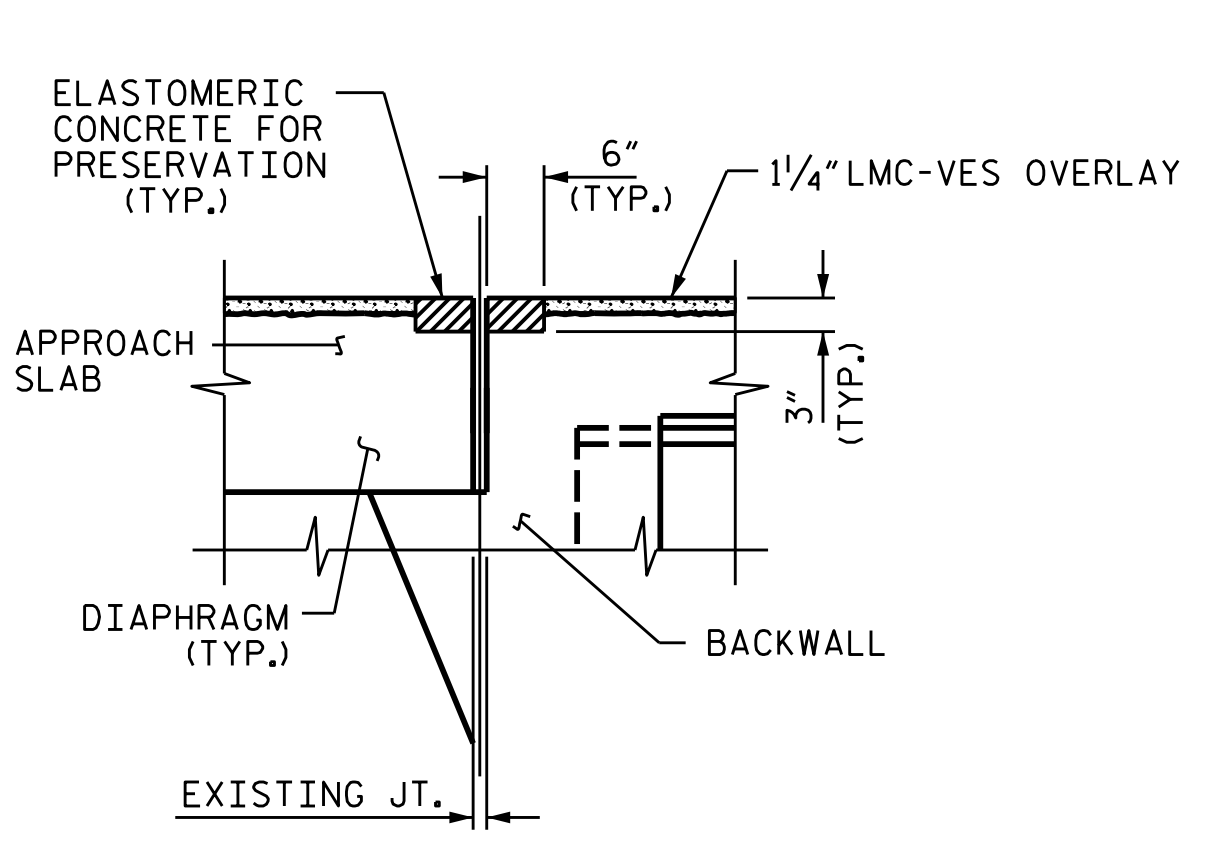
FOR POURABLE SILICONE JOINT SEALANT
SEE SPECIAL PROVISIONS.
FOR ELASTOMERIC CONCRETE FOR PRESERVATION,
SEE SPECIAL PROVISIONS.



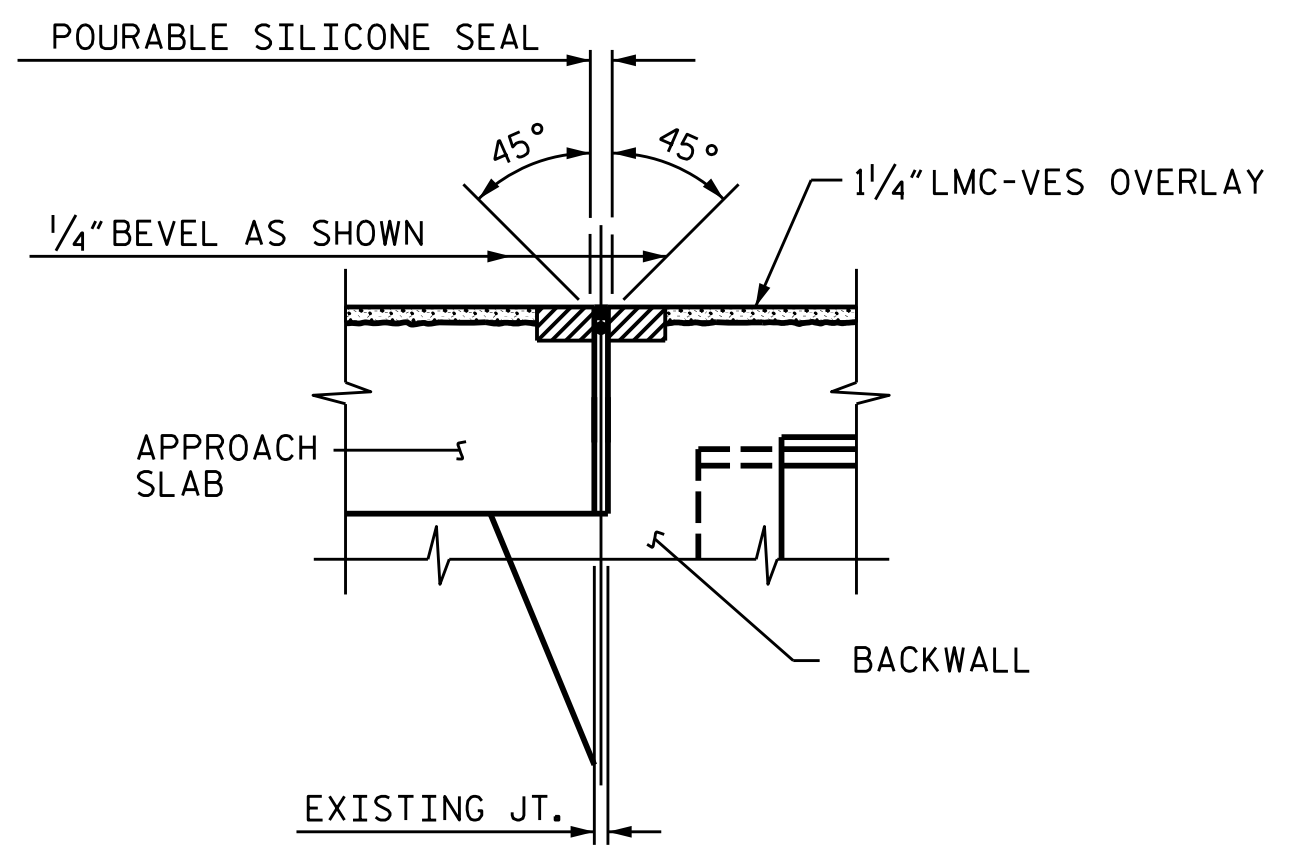
EXISTING JOINT



EXISTING JOINT AFTER DECK SCARIFICATION

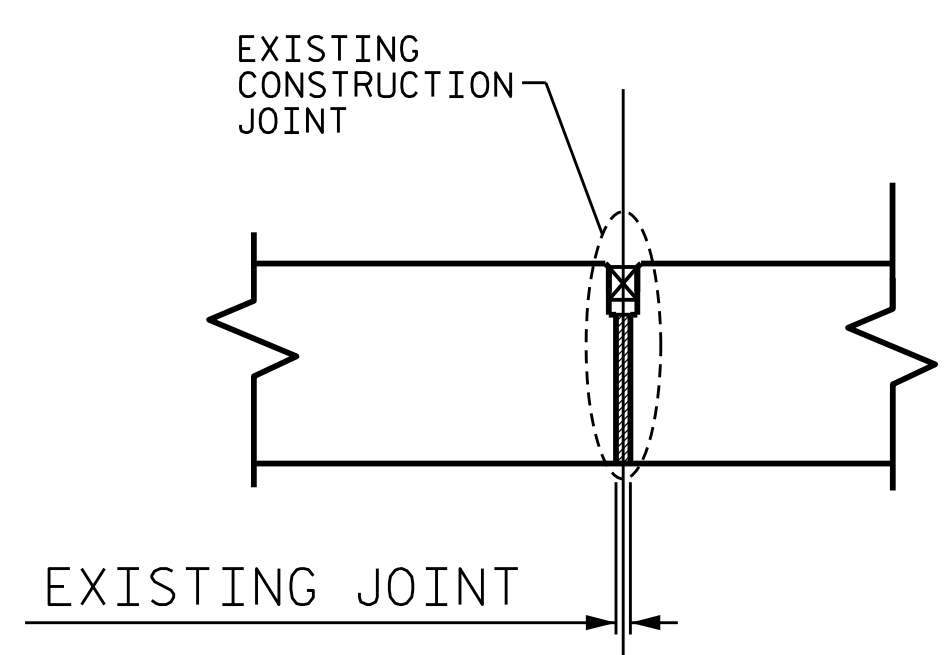


PROPOSED JOINT PRE-SAWED

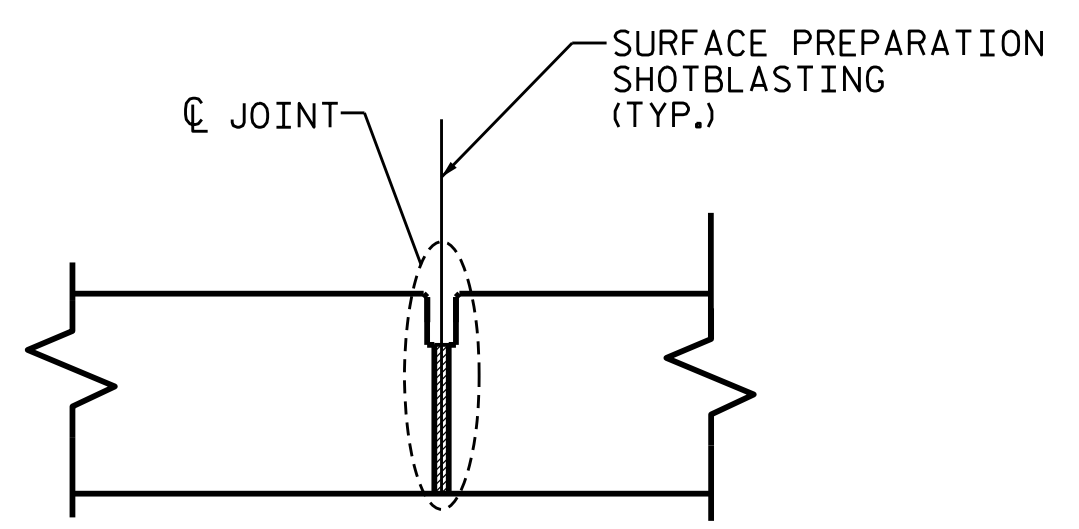


PROPOSED SILICONE SEAL

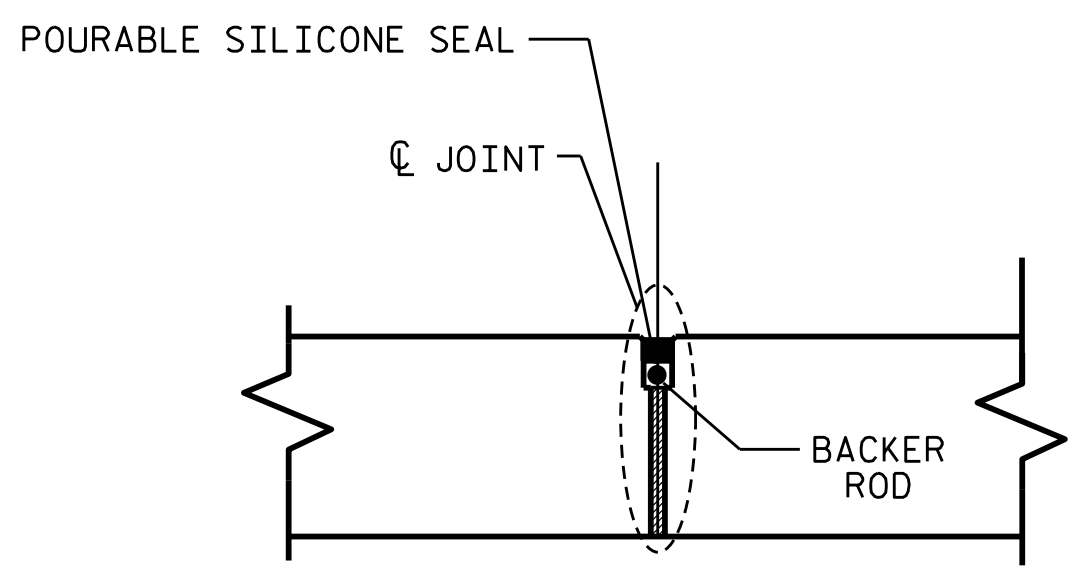
SECTION A-A



EXISTING JOINT



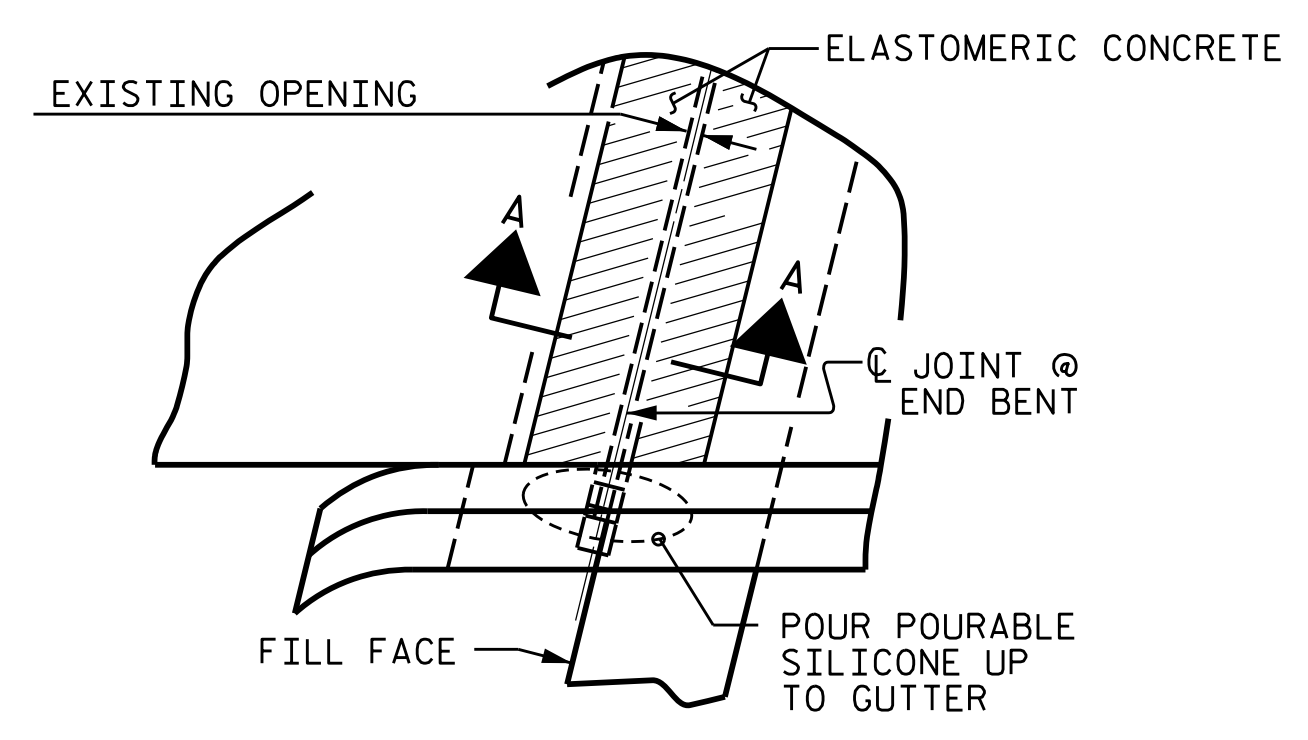
MINIMUM EXISTING JOINT DEMOLITION



PROPOSED SILICONE SEAL

JOINT INSTALLATION SEQUENCE AT APPROACH SLABS.

SECTION D-D



PLAN
(@ END BENT)

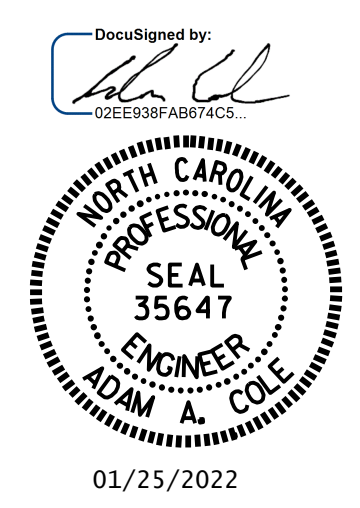
ELASTOMERIC CONCRETE FOR PRESERVATION	
END BENT 1	13.3 CU. FT.
END BENT 2	13.3 CU. FT.
TOTAL	26.6 CU. FT.

BRIDGE JOINT DEMOLITION	
END BENT 1	52.7 SQ. FT.
END BENT 2	52.7 SQ. FT.
TOTAL	105.4 SQ. FT.

JOINT REPAIR QUANTITY TABLE		
	ESTIMATED	ACTUAL
POURABLE SILICONE JOINT SEALANT	441.4 LIN. LF.	

PROJECT NO. 15BPR.51
GASTON COUNTY
BRIDGE NO. 350046

SHEET 2 OF 2



STATE OF NORTH CAROLINA
DEPARTMENT OF TRANSPORTATION
RALEIGH

JOINT DETAILS

DRAWN BY : GHOLAMREZA KOUCHEKI DATE : 12/2021
CHECKED BY : H.A. LOCKLEAR DATE : 12/2021

DOCUMENT NOT CONSIDERED
FINAL UNLESS ALL
SIGNATURES COMPLETED

REVISIONS						SHEET NO.
NO.	BY:	DATE:	NO.	BY:	DATE:	S1-15
1			3			TOTAL SHEETS
2			4			67