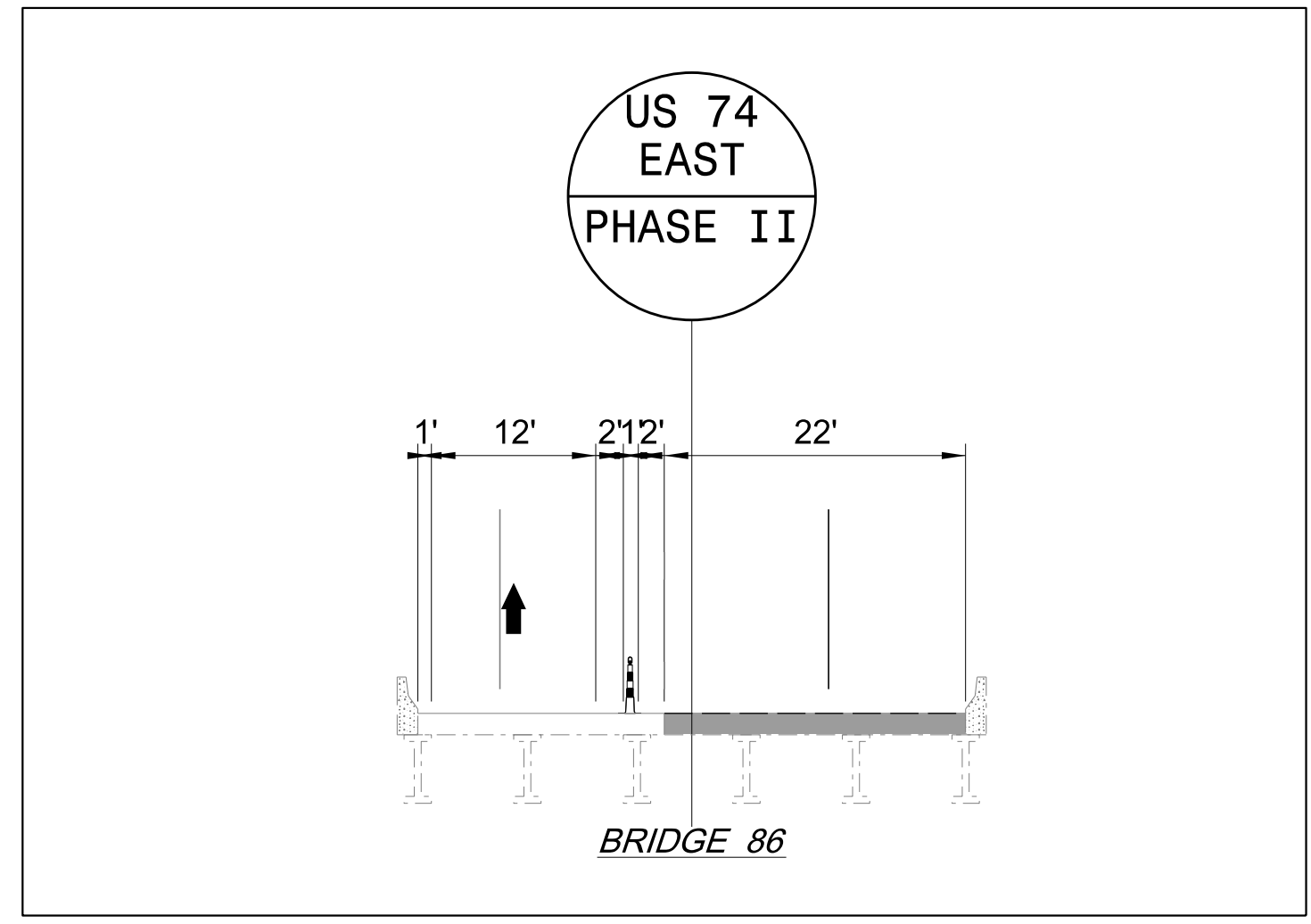
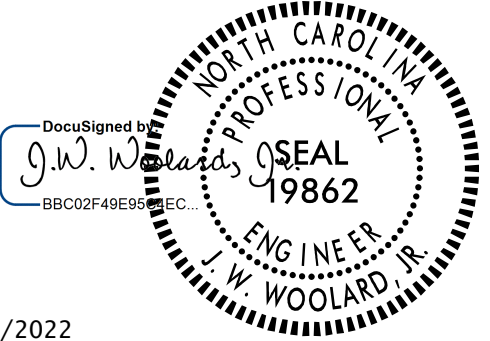
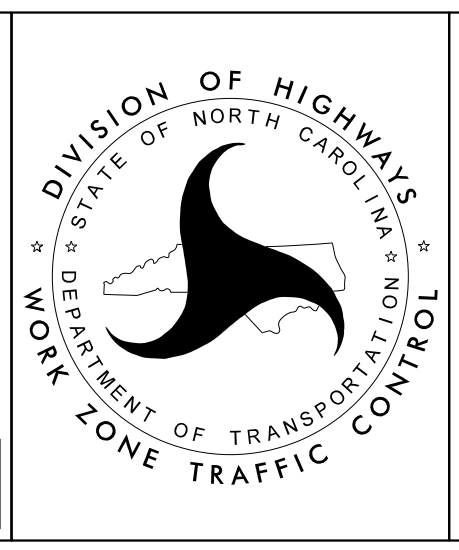


1/6/2022  
 I:\Traffic\Transportation Management Plan\TCP\PLAN SHEETS\15BPR.51\_TMP.35\_BRIDGE.86\_PHASE.2.dgn  
 angood



  
 Stantec Consulting Services Inc.  
 801 Jones Franklin Road  
 Suite 300  
 Raleigh, NC 27606  
 Tel. 919.851.6866  
 Fax. 919.851.7024  
 www.stantec.com  
 License No. F-0672

1/6/2022  
  
**DOCUMENT NOT CONSIDERED FINAL  
 UNLESS ALL SIGNATURES COMPLETED**



**BRIDGE 350086  
 US 74 EAST  
 PHASE II**