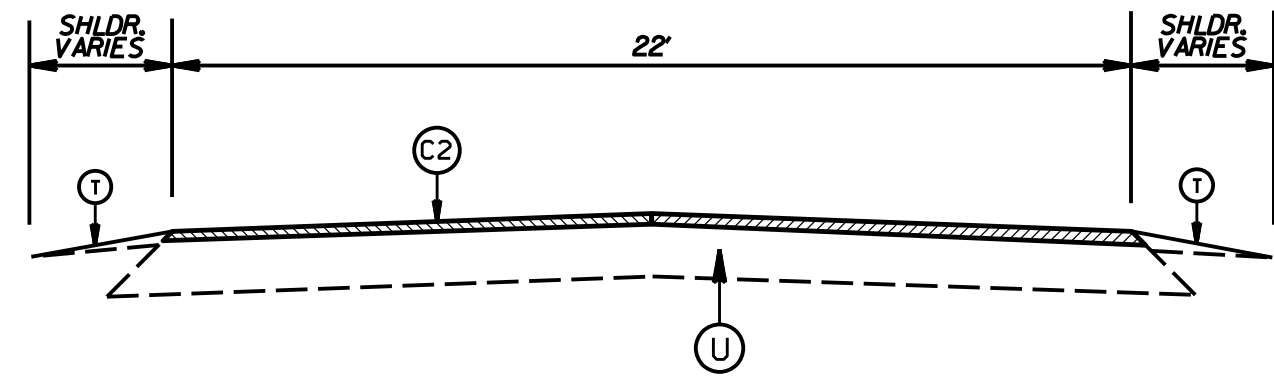


STATE	PROJECT NO.	SHEET NO.	TOTAL SHEETS
N.C.			22
WBS NO. 2022CPT.J0.08.J0601 2022CPT.J0.08.20601 2022CPT.J0.08.20602 FOR			

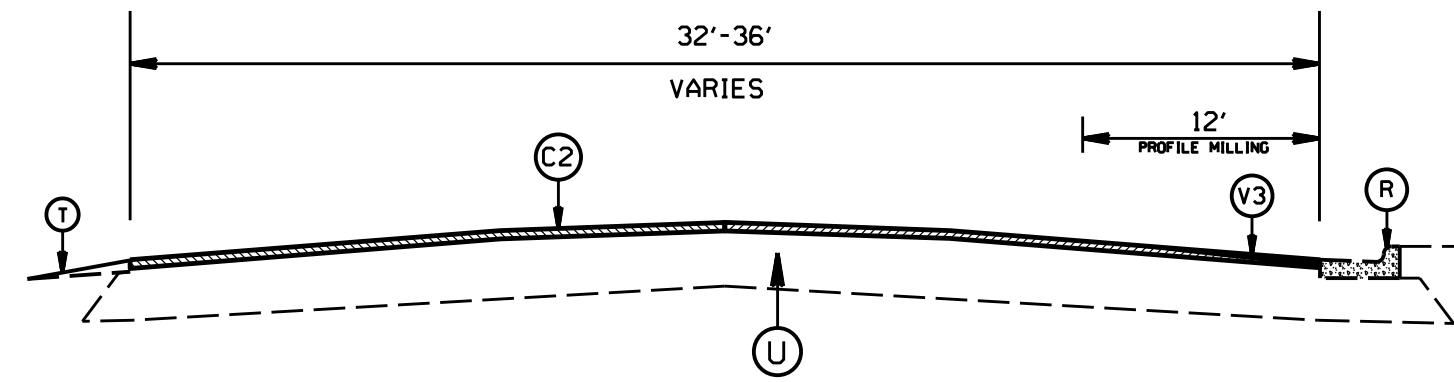
PAVEMENT SCHEDULE	
C1	PROP. APPROX. 1.5" ASPHALT CONCRETE SURFACE COURSE, TYPE S9.5B, AT AN AVERAGE RATE OF 165 LBS. PER SQ. YD.
C2	PROP. APPROX. 1.5" ASPHALT CONCRETE SURFACE COURSE, TYPE S9.5C, AT AN AVERAGE RATE OF 168 LBS. PER SQ. YD.
C3	PROP. APPROX. 2.0" ASPHALT CONCRETE SURFACE COURSE, TYPE S9.5C, AT AN AVERAGE RATE OF 224 LBS. PER SQ. YD.
C4	PROP. ASPHALT SURFACE TREATMENT, DOUBLE SEAL, MATCOAT 78M, AT AN AVERAGE RATE OF 10 TO 18 LBS. PER SQ. YD. (STONE) AND 0.25 TO 0.30 GALLONS PER SQ. YD. (LIQUID ASPHALT)
C5	PROP. APPROX. 6.0" ASPHALT CONCRETE BASE COURSE, TYPE B25.0C, AT AN AVERAGE RATE OF 684 LBS. PER SQ. YD.
F	PROPOSED FULL DEPTH RECLAMATION AT A DEPTH OF 12 INCHES WITH PORTLAND CEMENT TREATED BASE AT AN AVERAGE RATE OF 65 LBS/SY
J	ABC STONE 12" DEPTH
R	EXISTING 2'-6" CURB AND GUTTER
R1	PROPOSED NEW 2'-6" CURB AND GUTTER
T	SHOULDER RECONSTRUCTION
U	EXISTING PAVEMENT
V1	MILLING 1.5" DEPTH
V2	MILLING 2.0" DEPTH
V3	PROFILE MILLING 0" TO 1.5"
V4	INCIDENTAL MILLING

### CALDWELL ROAD




TYPICAL SECTION NO. 20

### CALDWELL ROAD



TYPICAL SECTION NO. 21

2022 MECKLENBURG COUNTY  
RESURFACING

SCALE	-NA-		REVISIONS
DATE	10/21		
DWG. BY	JME		
DESIGN BY	JME		
APPROVED			