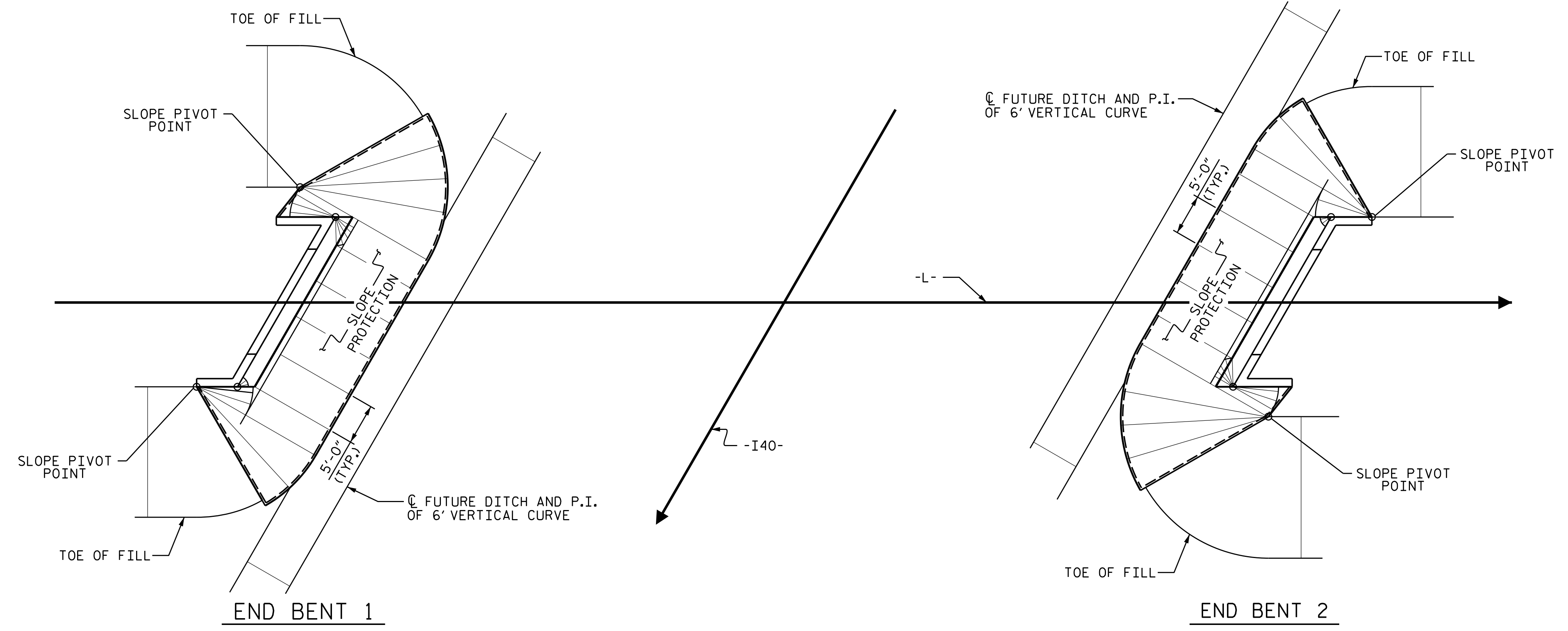


PLAN - GRADING



PLAN - CONCRETE PLACEMENT

PROJECT NO. BR-0033
McDOWELL COUNTY
 STATION: 16+11.51 -L-



STATE OF NORTH CAROLINA
 DEPARTMENT OF TRANSPORTATION
 RALEIGH
 STANDARD
 SLOPE PROTECTION
 DETAILS

ASSEMBLED BY : M. SPENCER	DATE : 06/08/21
CHECKED BY : A. FORFA	DATE : 06/08/21
DRAWN BY : WJH 10/88	REV. 10/11/11 MAA/GM
CHECKED BY : FCJ 10/88	REV. 1/16 MAA/TMG
	REV. 12/17 MAA/THC



8000 Regency Parkway
 Suite 175
 Cary, NC 27518
 984-275-2490
 benesch.com
 NC License No. F-1320

DOCUMENT NOT CONSIDERED
 FINAL UNLESS ALL
 SIGNATURES COMPLETED

REVISIONS						SHEET NO.
NO.	BY:	DATE:	NO.	BY:	DATE:	S-30
1			3			TOTAL SHEETS
2			4			32