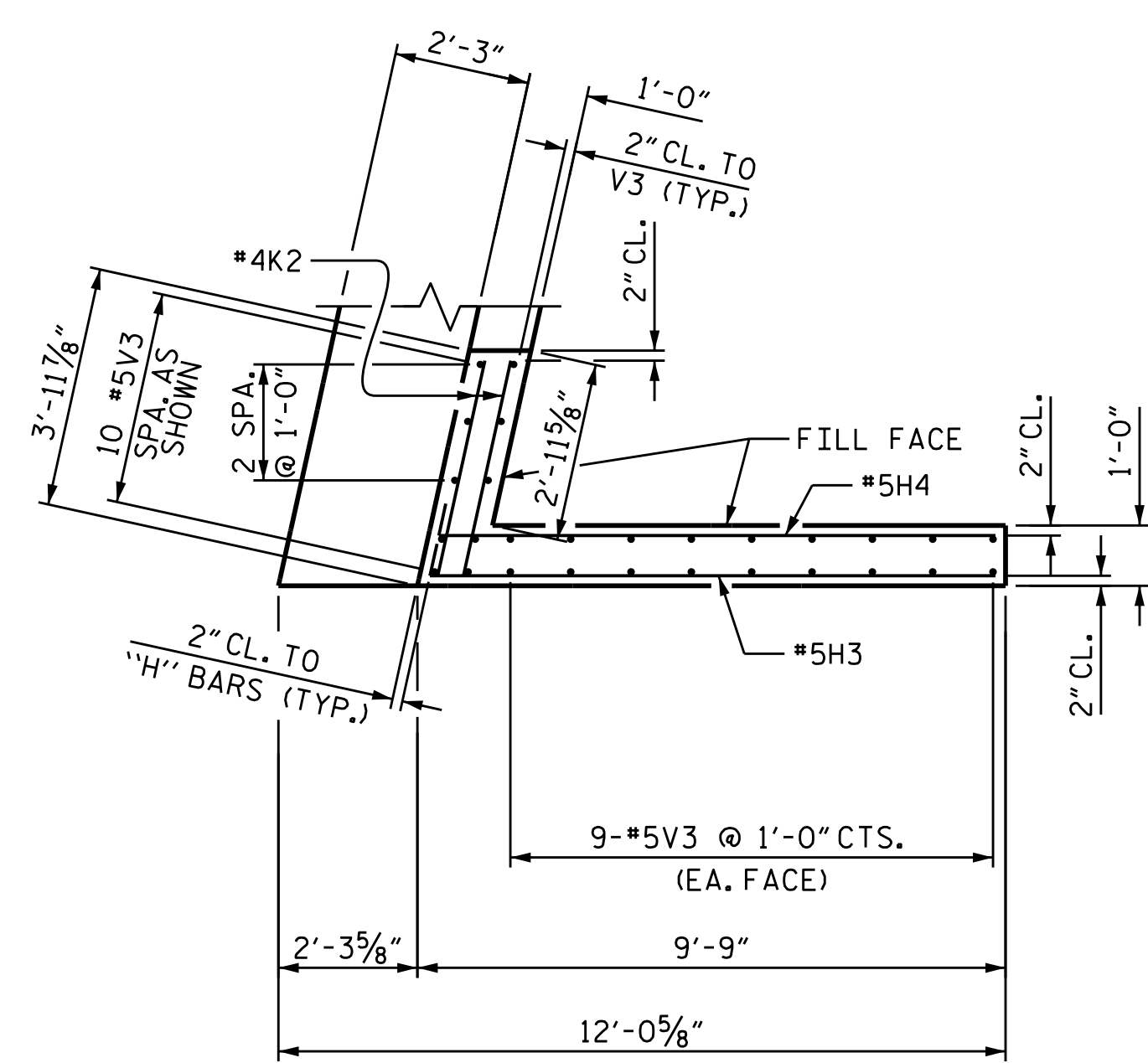
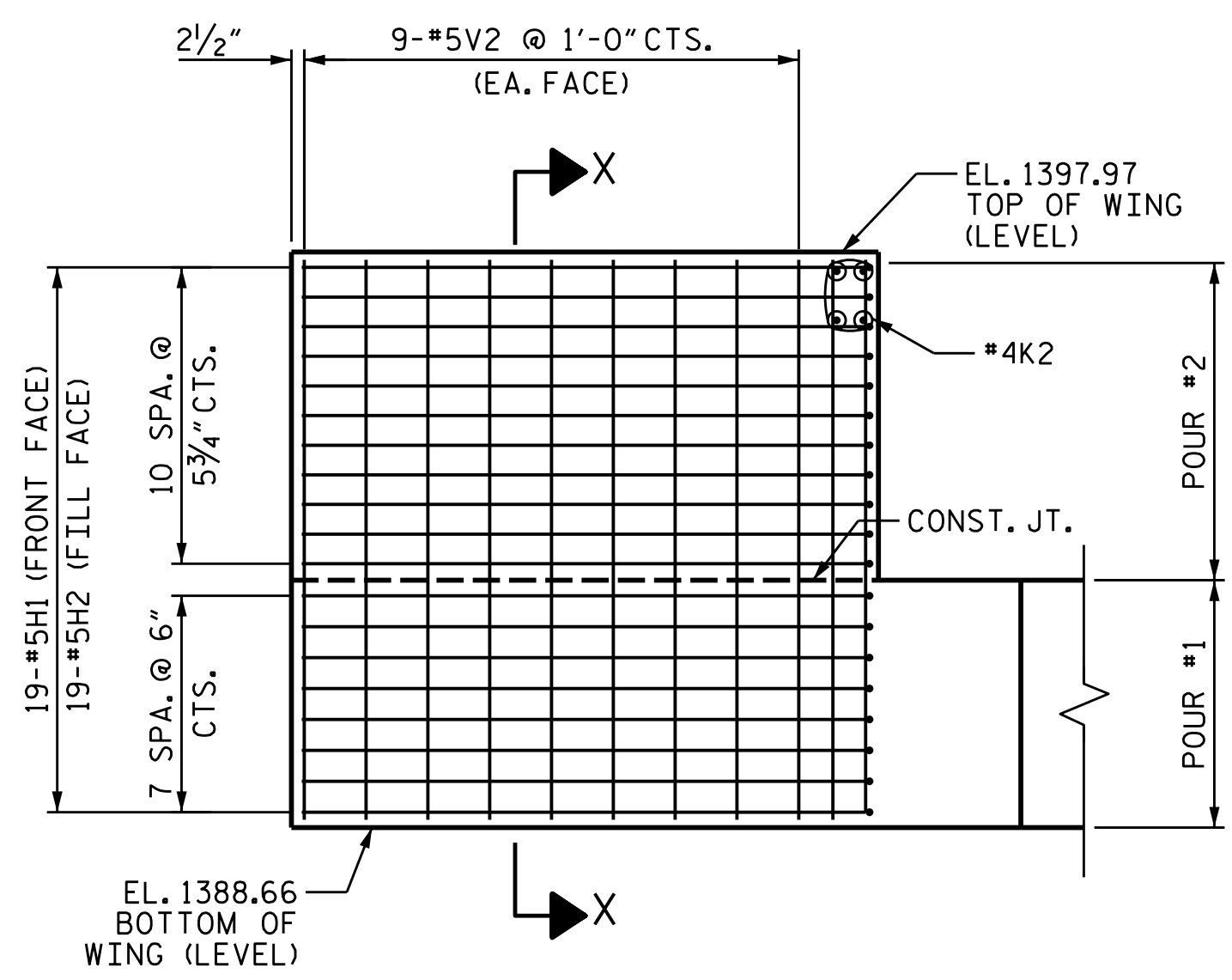


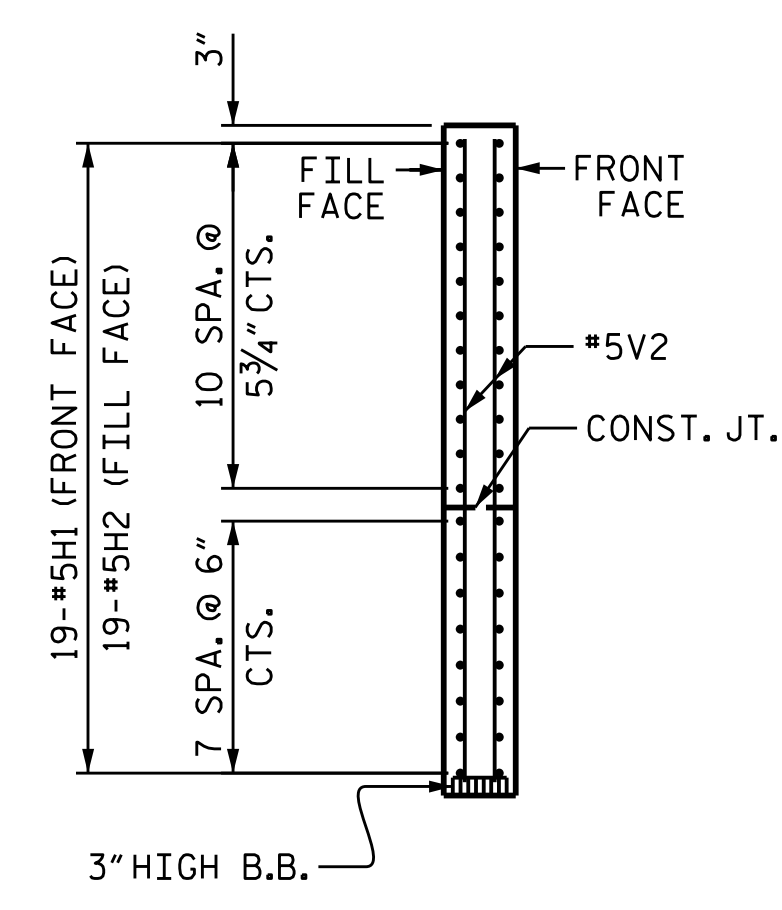
PLAN OF WING W3



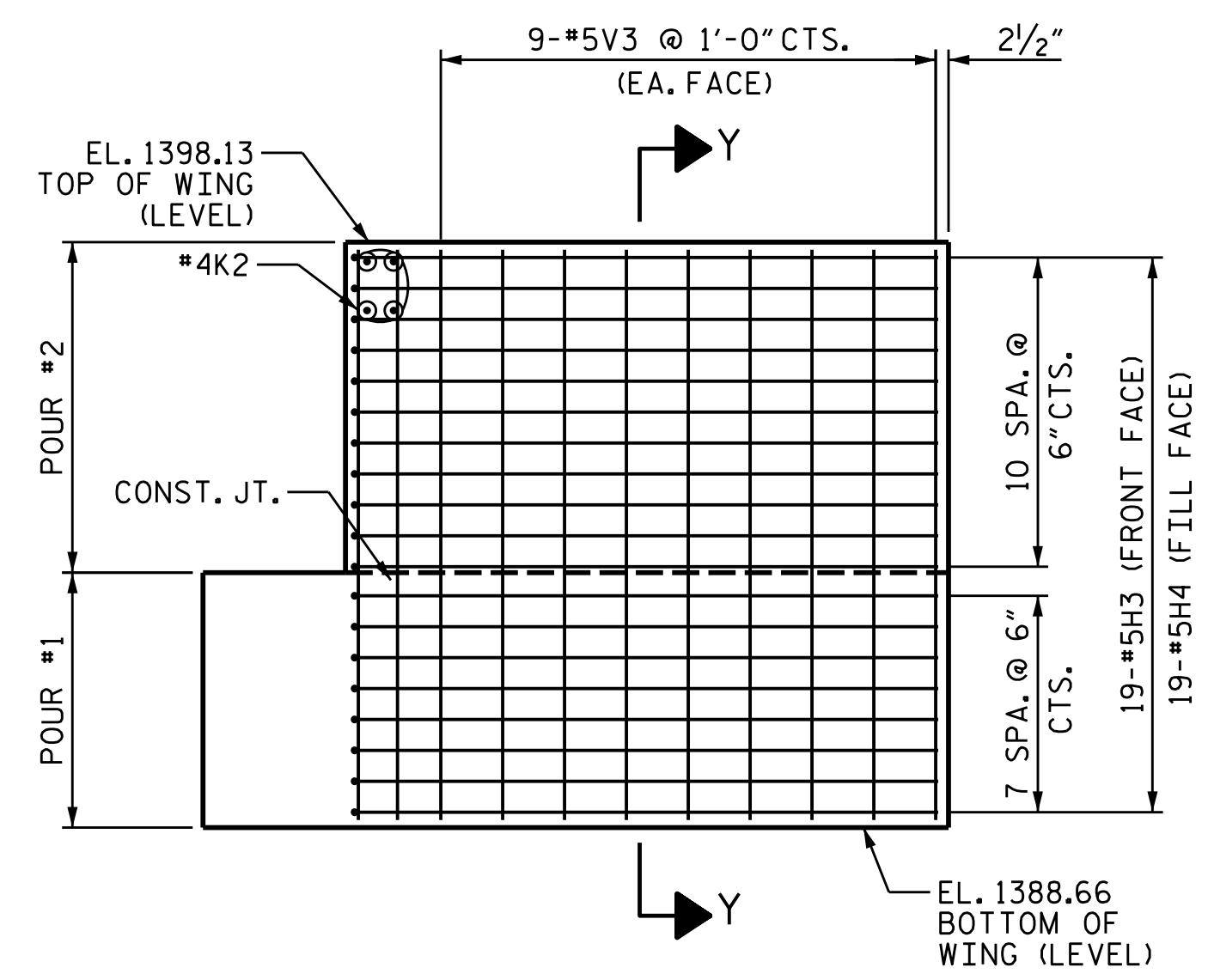
PLAN OF WING W4



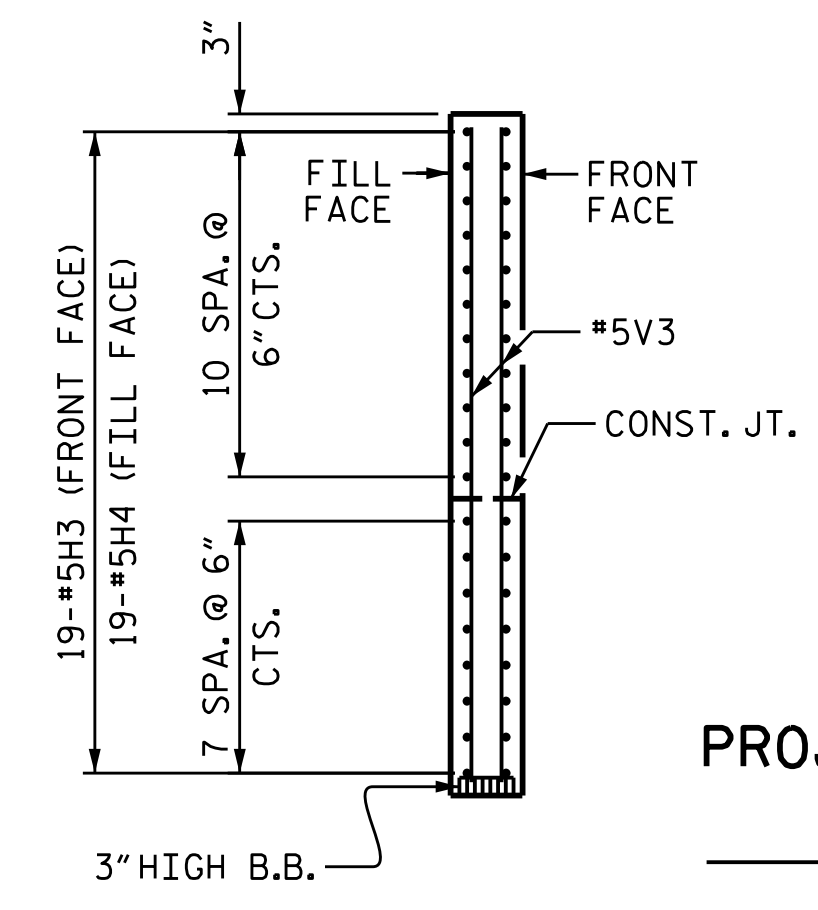
ELEVATION OF WING W3



SECTION X-X



ELEVATION OF WING W4



SECTION Y-Y

PROJECT NO. BR-0033
 McDOWELL COUNTY
 STATION: 16+11.51 -L-

SHEET 2 OF 3

STATE OF NORTH CAROLINA
 DEPARTMENT OF TRANSPORTATION
 RALEIGH
 SUBSTRUCTURE
 END BENT 2



DOCUMENT NOT CONSIDERED
 FINAL UNLESS ALL
 SIGNATURES COMPLETED

DRAWN BY : N. ROHRBAUGH DATE : 06/2021
 CHECKED BY : A. FORFA DATE : 06/2021
 DESIGN ENGINEER OF RECORD : A. FORFA DATE : 09/2021



8000 Regency Parkway
 Suite 175
 Cary, NC 27518
 984-275-2490
 benesch.com
 NC License No. F-1320

REVISIONS						SHEET NO.
NO.	BY:	DATE:	NO.	BY:	DATE:	S-27
1			3			TOTAL SHEETS
2			4			32