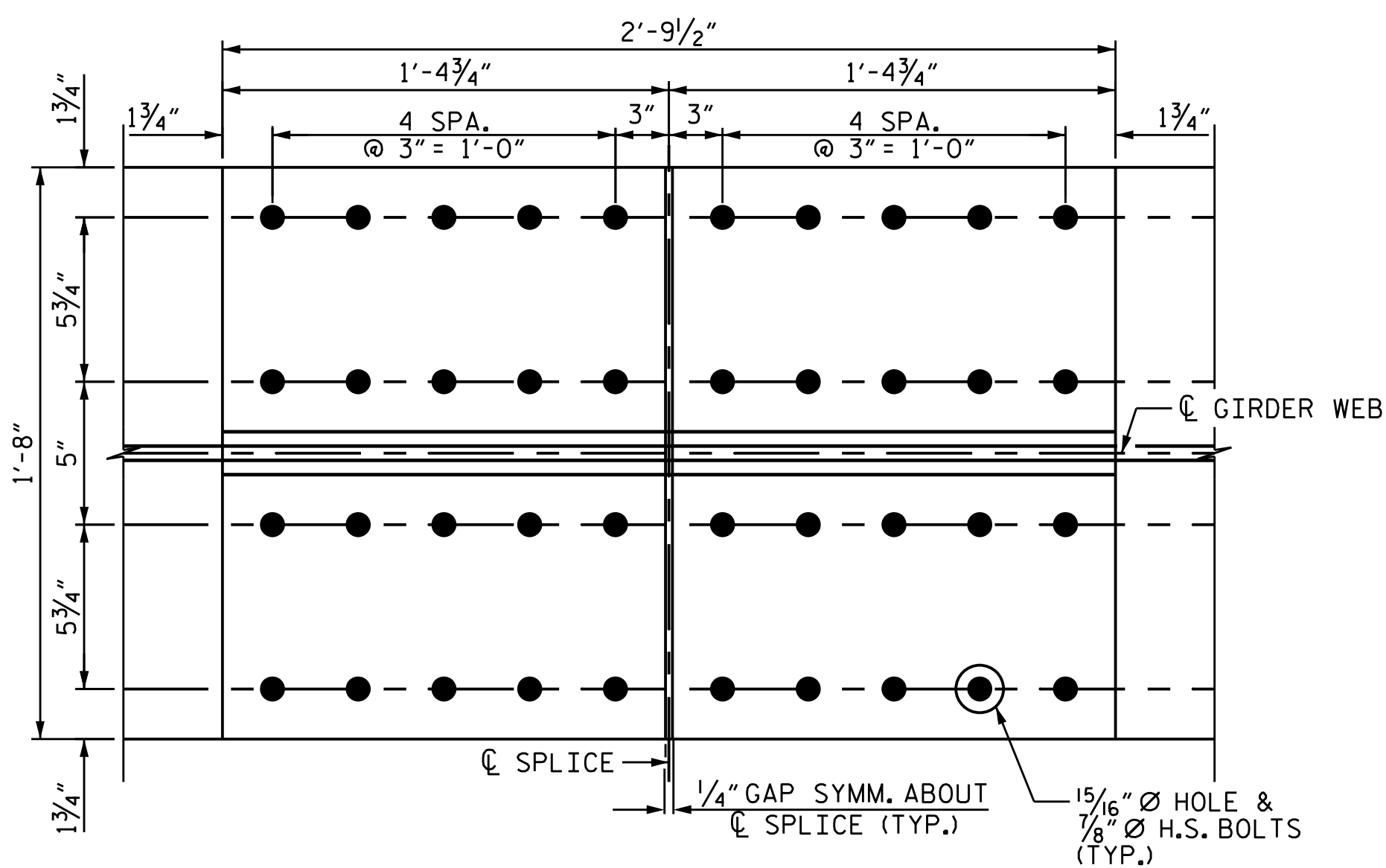
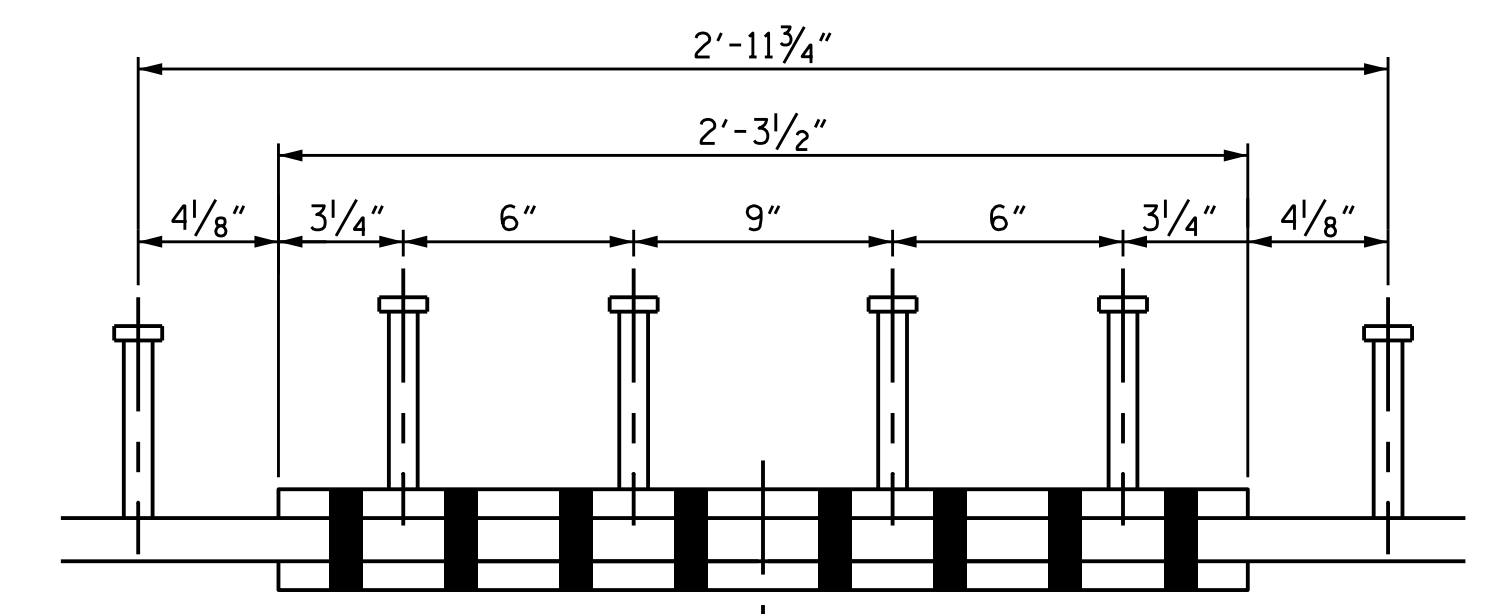


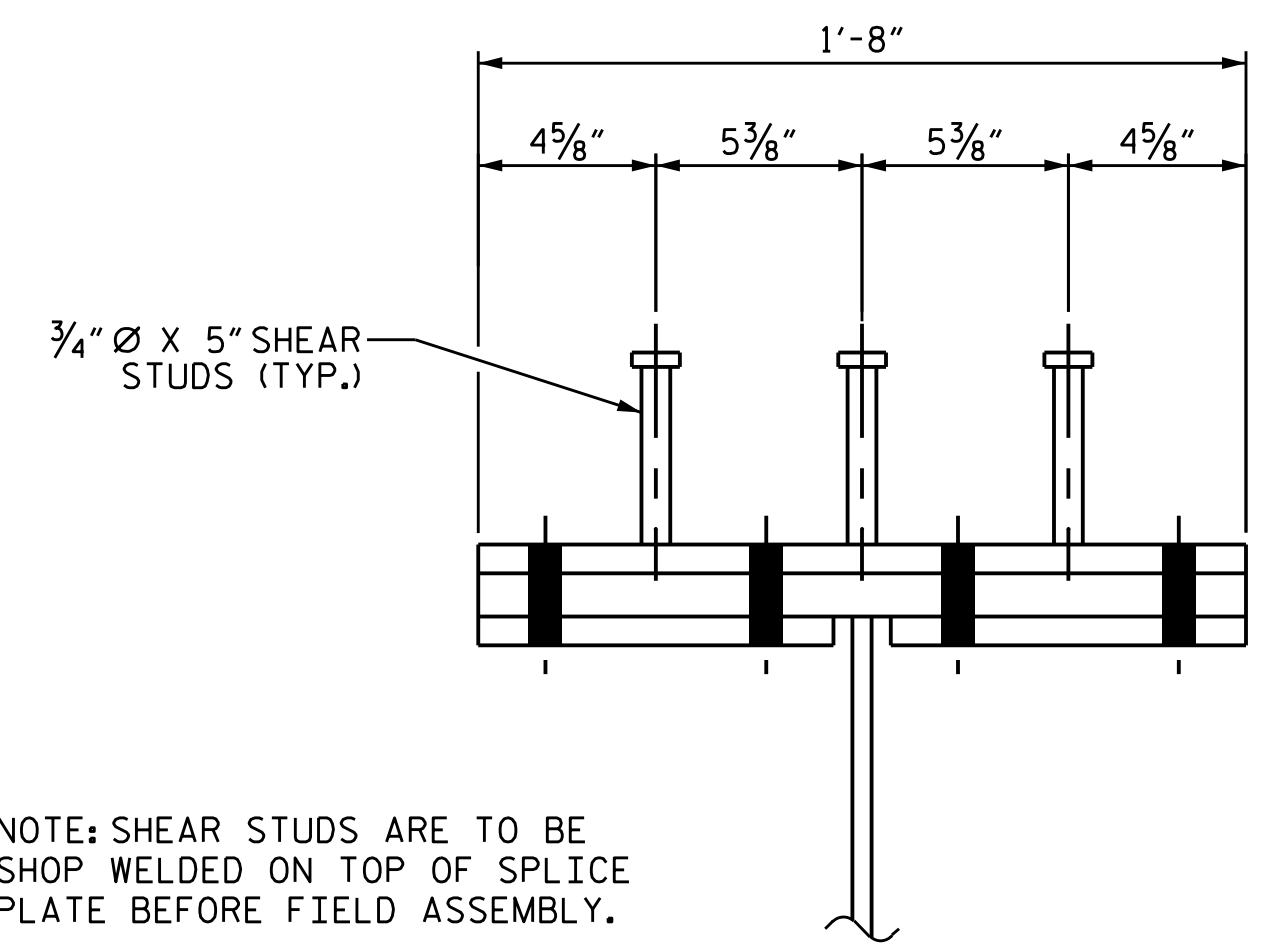
PLAN (TOP OF TOP FLANGE)  
NOTE: SEE DETAIL FOR DIMENSIONS TO SHEAR STUDS.



PLAN (TOP OF BOTTOM FLANGE)



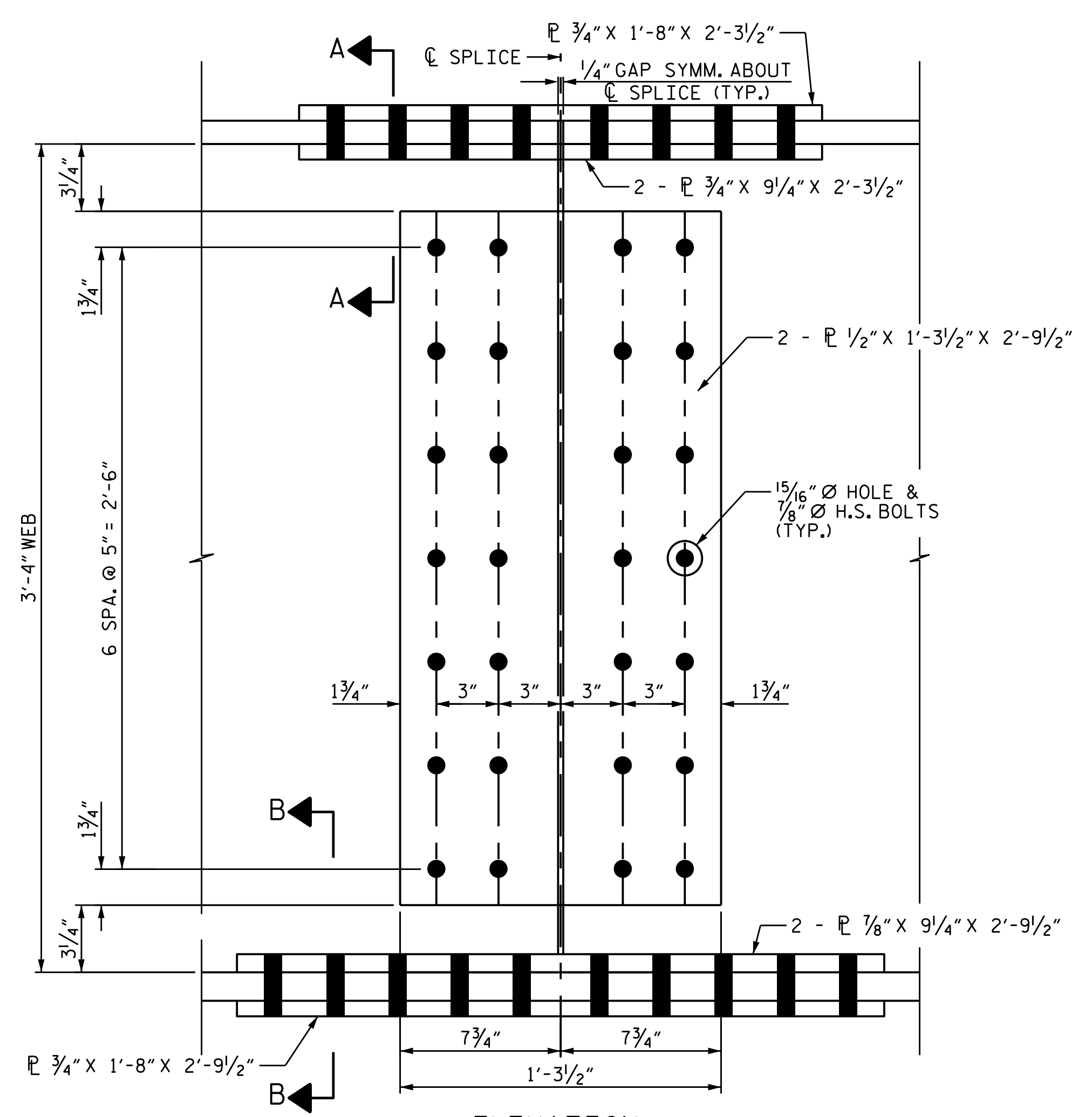
ELEVATION



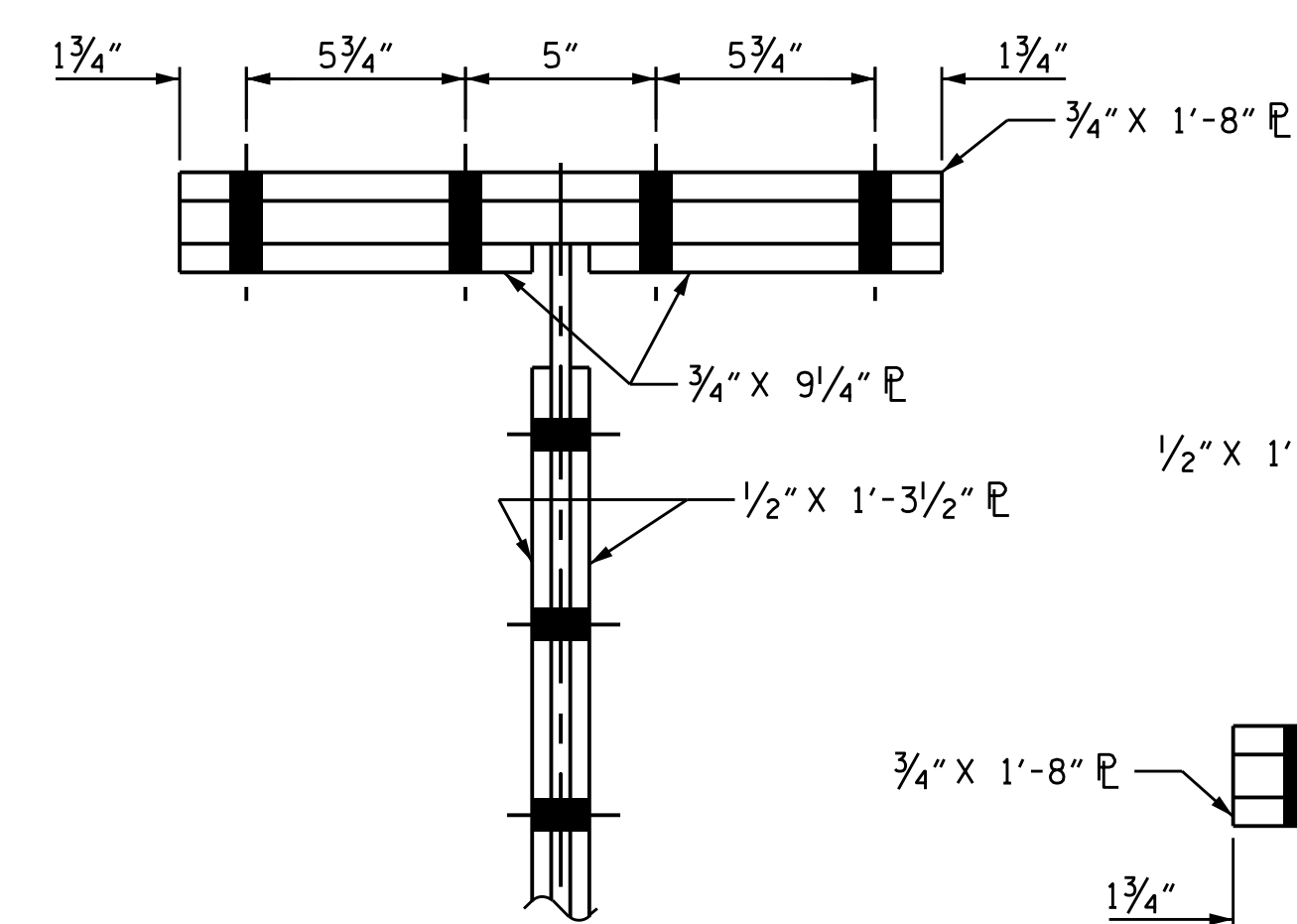
NOTE: SHEAR STUDS ARE TO BE SHOP WELDED ON TOP OF SPLICE PLATE BEFORE FIELD ASSEMBLY.

SECTION

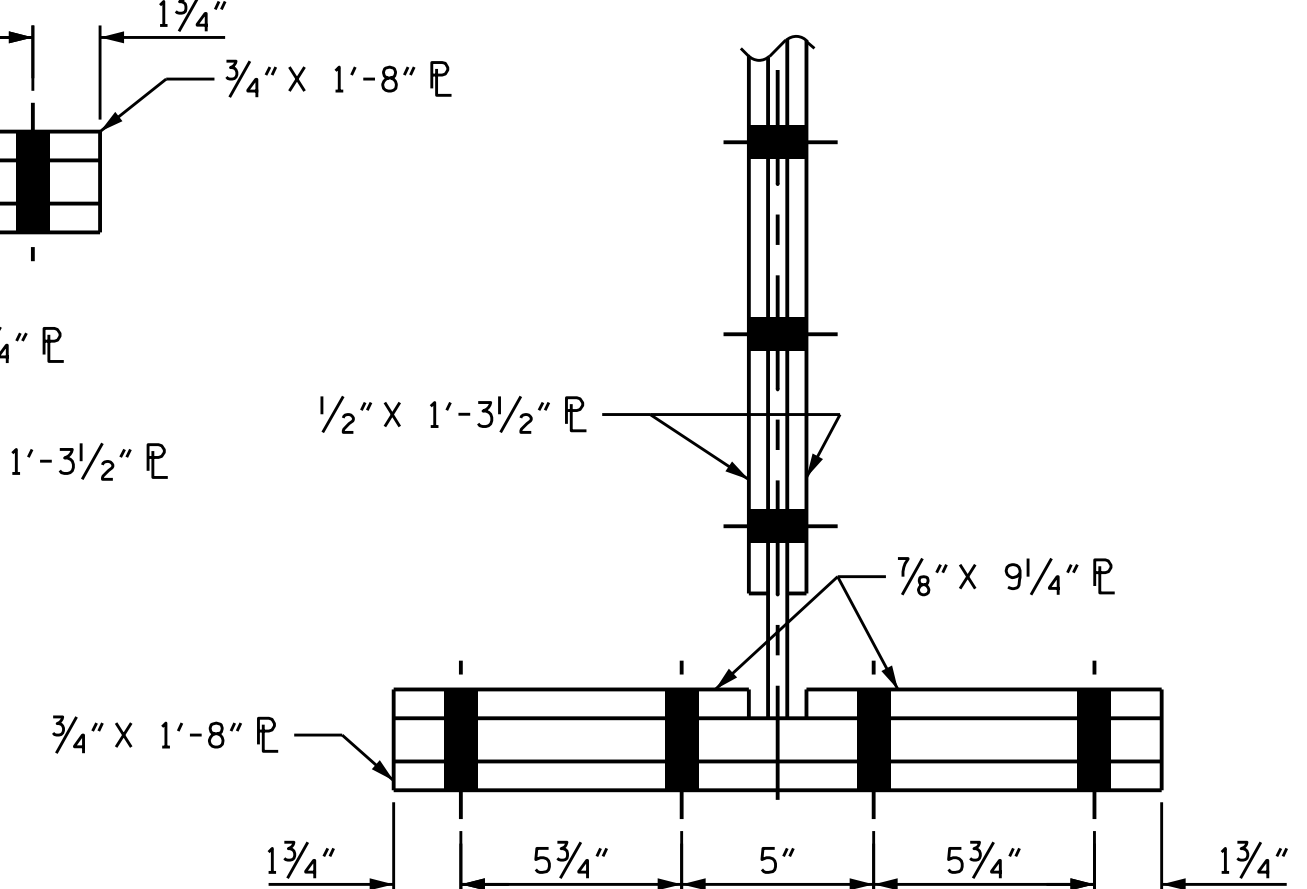
SHEAR STUD DETAIL FOR TOP FLANGE SPLICE PLATE



ELEVATION  
NOTE: SHEAR STUDS NOT SHOWN FOR CLARITY.



SECTION A-A



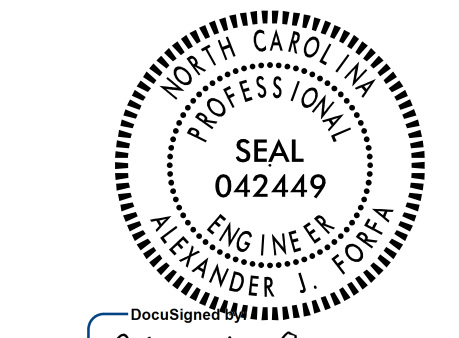
SECTION B-B

BOLTED FIELD SPLICE

DRAWN BY : M. SPENCER DATE : 06/2021  
 CHECKED BY : A. FORFA DATE : 06/2021  
 DESIGN ENGINEER OF RECORD : A. FORFA DATE : 09/2021



8000 Regency Parkway  
 Suite 175  
 Cary, NC 27518  
 984-275-2490  
 benesch.com  
 NC License No. F-1320



DOCUMENT NOT CONSIDERED FINAL UNLESS ALL SIGNATURES COMPLETED

PROJECT NO. BR-0033  
 McDOWELL COUNTY  
 STATION: 16+11.51 -L-

SHEET 4 OF 4

STATE OF NORTH CAROLINA DEPARTMENT OF TRANSPORTATION RALEIGH					
SUPERSTRUCTURE STRUCTURAL STEEL DETAILS					
REVISIONS					
NO.	BY:	DATE:	NO.	BY:	DATE:
1			3		
2			4		
SHEET NO. S-13					TOTAL SHEETS 32