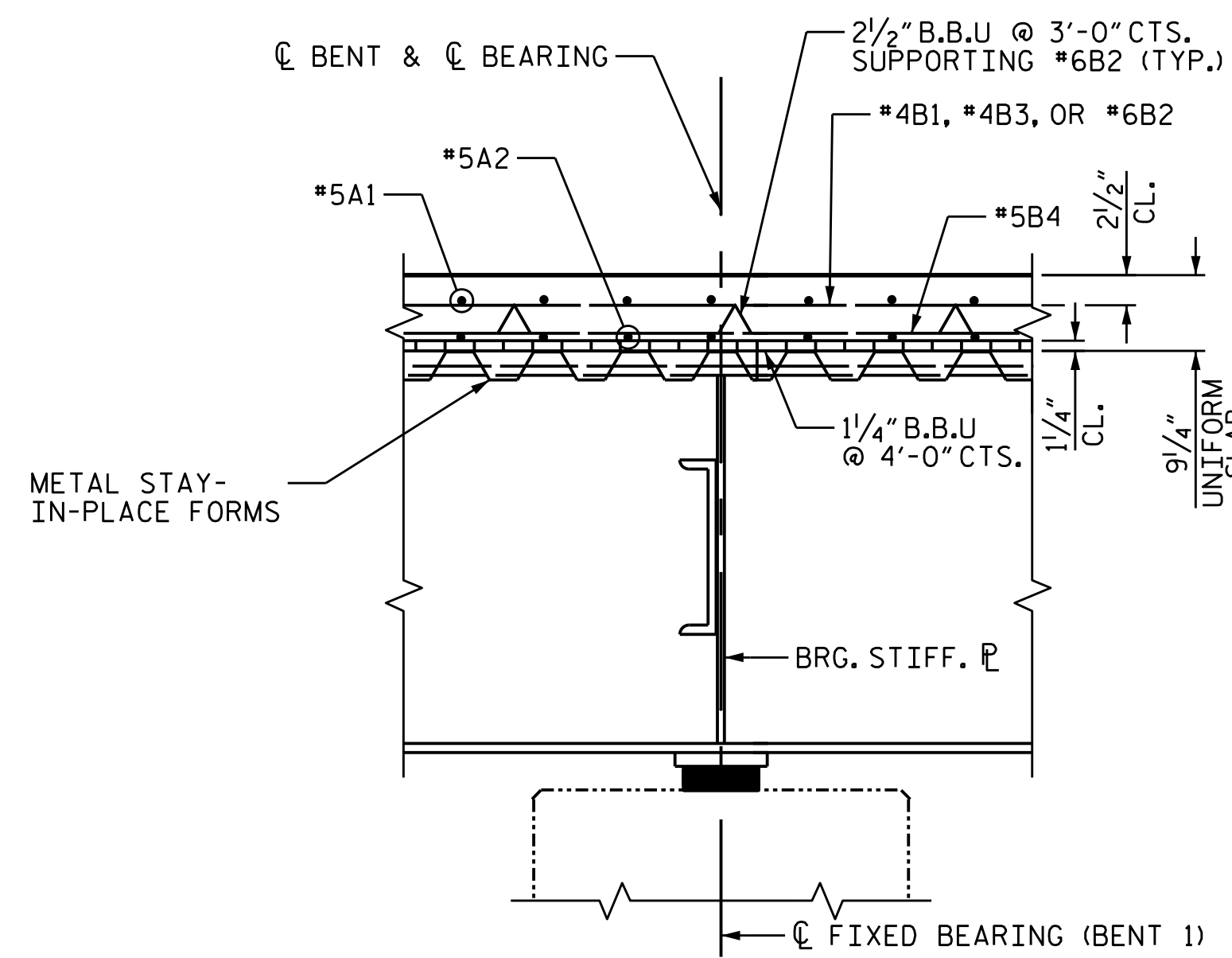
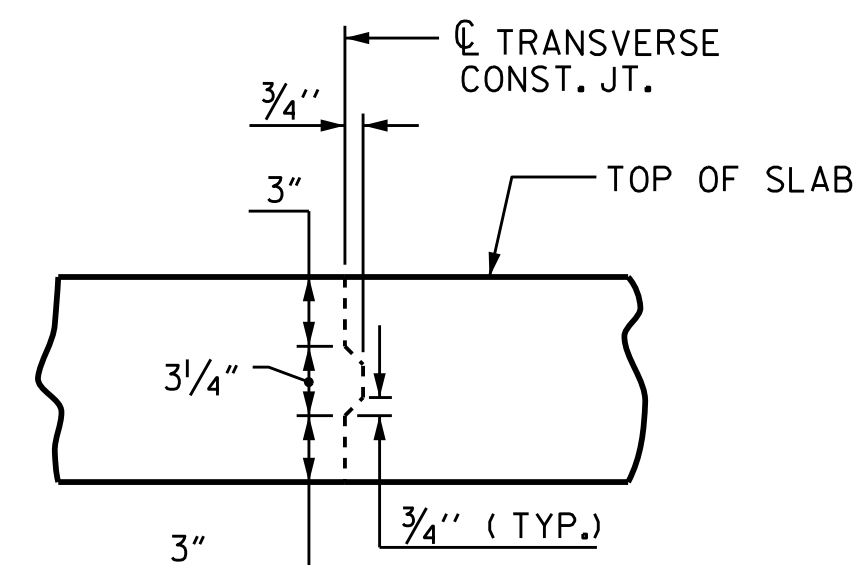


SECTION AT END BENT



SECTION AT BENT



TRANSVERSE CONSTRUCTION JOINT DETAIL

NOTE: REINFORCING STEEL IN SLAB NOT SHOWN. LONGITUDINAL REINFORCING STEEL SHALL BE CONTINUOUS THRU JOINT

PROJECT NO. BR-0033
McDOWELL COUNTY
 STATION: 16+11.51 -L-

SHEET 2 OF 2

STATE OF NORTH CAROLINA
 DEPARTMENT OF TRANSPORTATION
 RALEIGH
 SUPERSTRUCTURE
 TYPICAL SECTION



Alexander Forfa 11/23/2021

DRAWN BY : M. SPENCER DATE : 06/2021
 CHECKED BY : A. FORFA DATE : 06/2021
 DESIGN ENGINEER OF RECORD : A. FORFA DATE : 09/2021



8000 Regency Parkway
 Suite 175
 Cary, NC 27518
 984-275-2490
 benesch.com
 NC License No. F-1320

DOCUMENT NOT CONSIDERED
 FINAL UNLESS ALL
 SIGNATURES COMPLETED

REVISIONS						SHEET NO.
NO.	BY:	DATE:	NO.	BY:	DATE:	S-6
1			3			TOTAL SHEETS
2			4			32