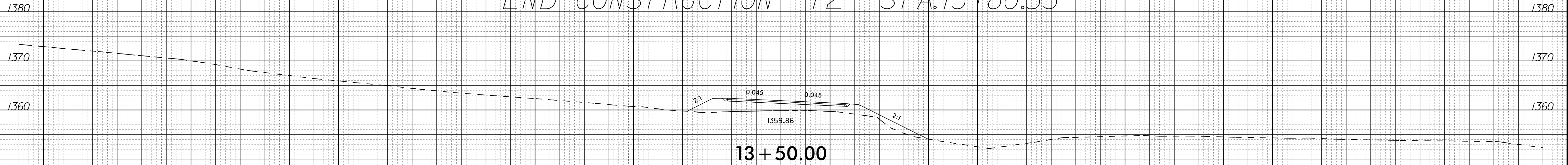
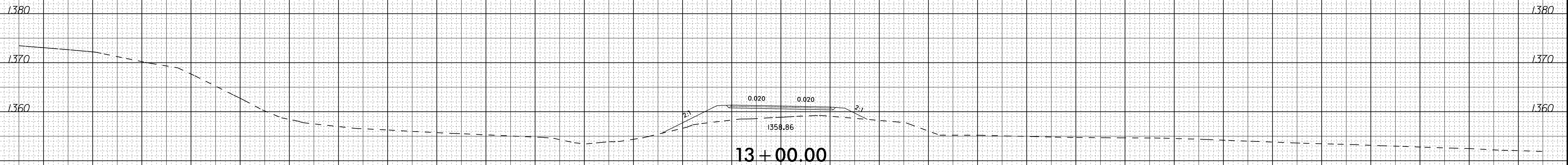


150 140 130 120 110 100 90 80 70 60 50 40 30 20 10 0 10 20 30 40 50 60 70 80 90 100 110 120 130 140 150

END CONSTRUCTION -Y2- STA. 13+80.53



13 + 50.00



13 + 00.00

-Y2- SR 1322