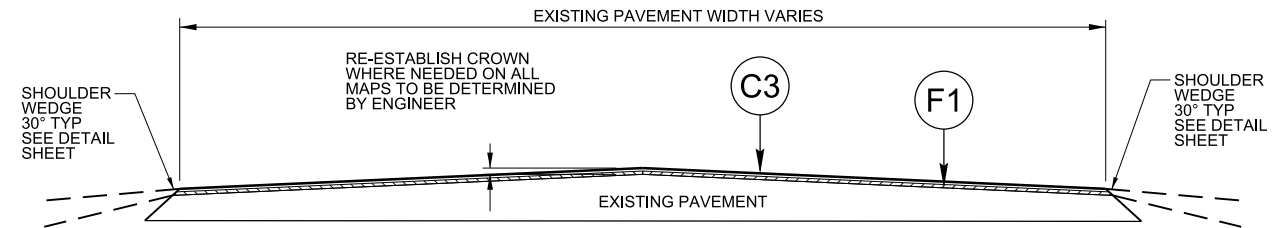
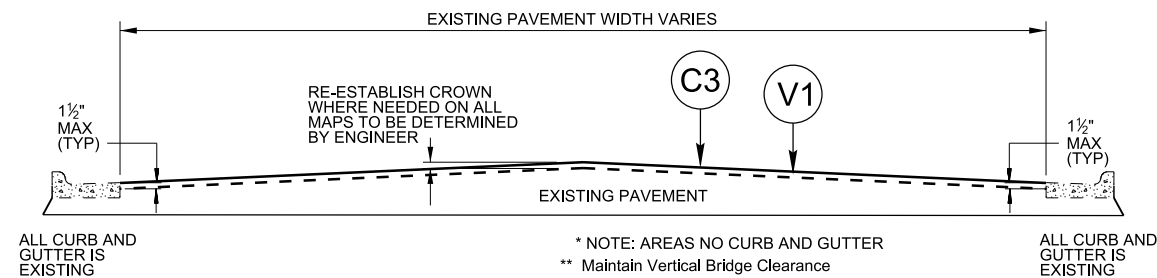


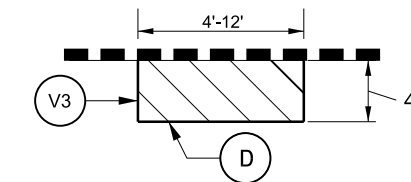
TYPICAL SECTION NO. 6
 ** Map 46 SR 1104 - Old Randleman Rd
 Map 47 SR 1554 - Chimney Rock Rd
 Map 48 SR 1607 - Burnt Poplar Rd



TYPICAL SECTION NO. 10
 Map 49 SR 4307 - Radar Rd

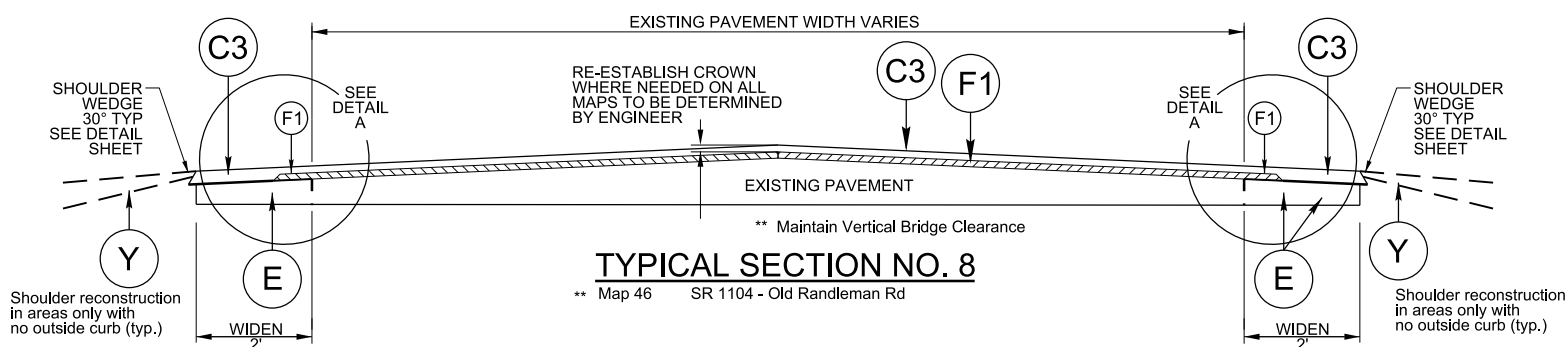


TYPICAL SECTION NO. 7
 ** Map 46 SR 1104 - Old Randleman Rd
 Map 47 SR 1554 - Chimney Rock Rd
 Map 48 SR 1607 - Burnt Poplar Rd

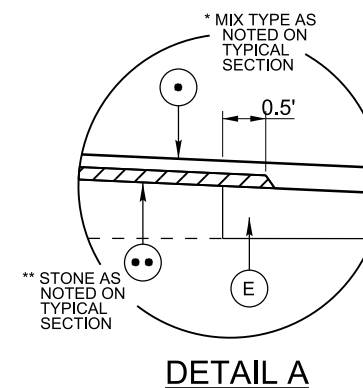


MILL FILL WITH INTERMEDIATE COURSE, TYPE I19.0C AT LOCATIONS AS DIRECTED BY THE ENGINEER.

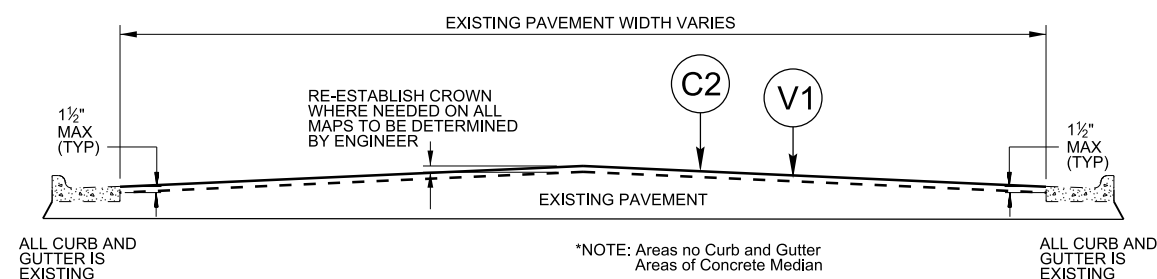
PATCHING EXISTING PAVEMENT DETAIL



TYPICAL SECTION NO. 8
 ** Map 46 SR 1104 - Old Randleman Rd



DETAIL A



TYPICAL SECTION NO. 9
 Map 50 SR 2137 - Old Oak Ridge Rd

PAVEMENT SCHEDULE	
C1	PROP. APPROX. 1 1/4" ASPHALT CONCRETE SURFACE COURSE, TYPE S9.5B TO BE APPLIED AT AN AVERAGE RATE OF 137.5 LBS PER SQ YD.
C2	PROP. APPROX. 1 1/2" ASPHALT CONCRETE SURFACE COURSE, TYPE S9.5B, TO BE APPLIED AT AN AVERAGE RATE OF 165 LBS PER SQ YD.
C3	PROP. APPROX. 1 1/4" ASPHALT CONCRETE SURFACE COURSE, TYPE S9.5C TO BE APPLIED AT AN AVERAGE RATE OF 168 LBS PER SQ YD.
D	PROP. APPROX. 4" ASPHALT CONCRETE INTERMEDIATE COURSE, TYPE I19.0C, AT AN AVERAGE RATE OF 456 LBS. PER SQ. YD.
E	PROP. APPROX. 8" ASPHALT CONCRETE BASE COURSE, TYPE B25.0C, AT AN AVERAGE RATE OF 456 LBS. PER SQ. YD. IN EACH OF TWO LAYERS.
F	AST MAT COAT, #67
F1	AST MAT COAT, #78M
U	EXISTING PAVEMENT
V	MILL ASPHALT PAVEMENT, 1 1/4" DEPTH
V1	MILL ASPHALT PAVEMENT, 1 1/2" DEPTH
V2	MILL ASPHALT PAVEMENT, 2 1/4" DEPTH
V3	MILL ASPHALT PAVEMENT, 4" DEPTH
Y	SHOULDER RECONSTRUCTION (SEE DETAIL)