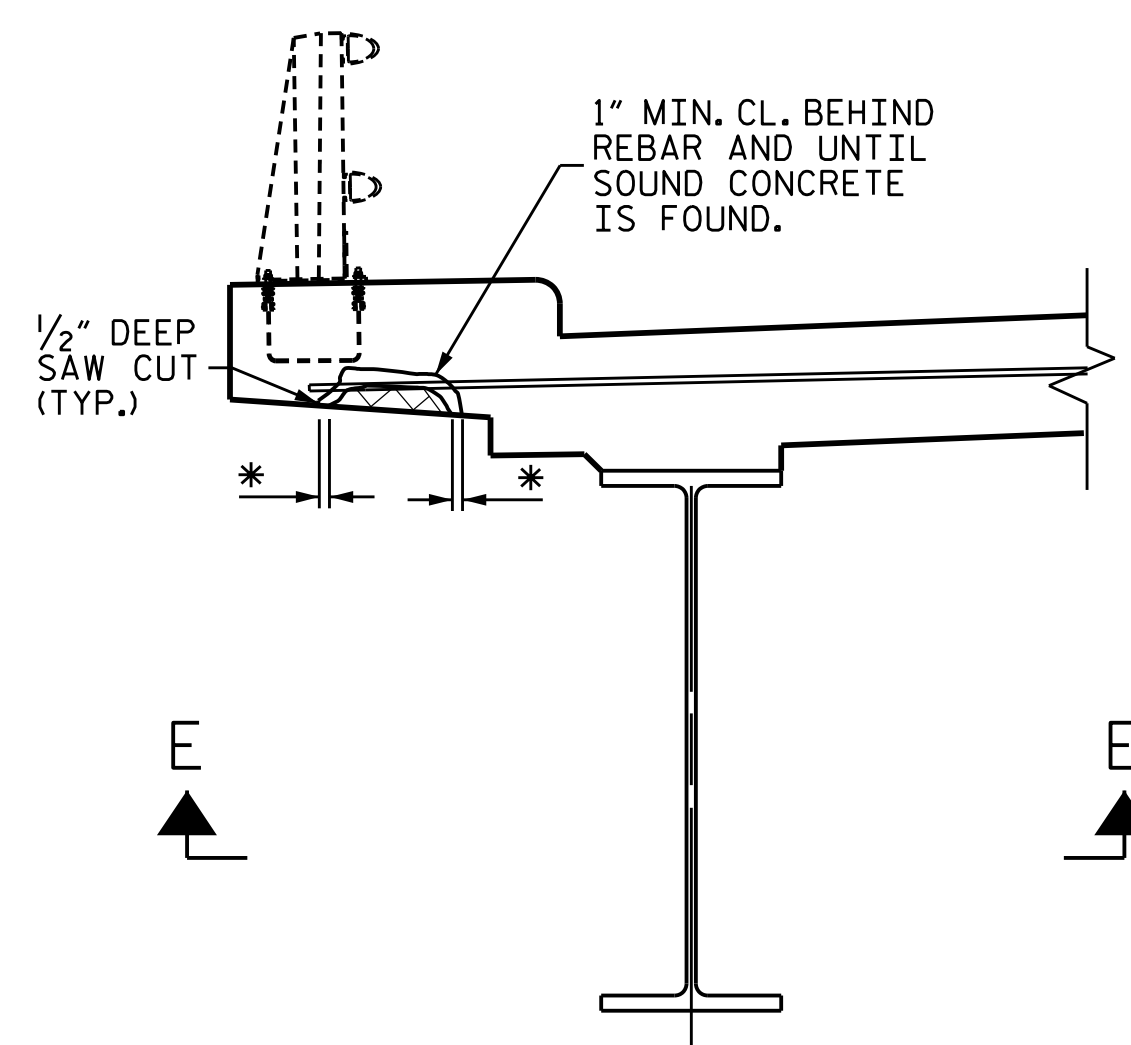
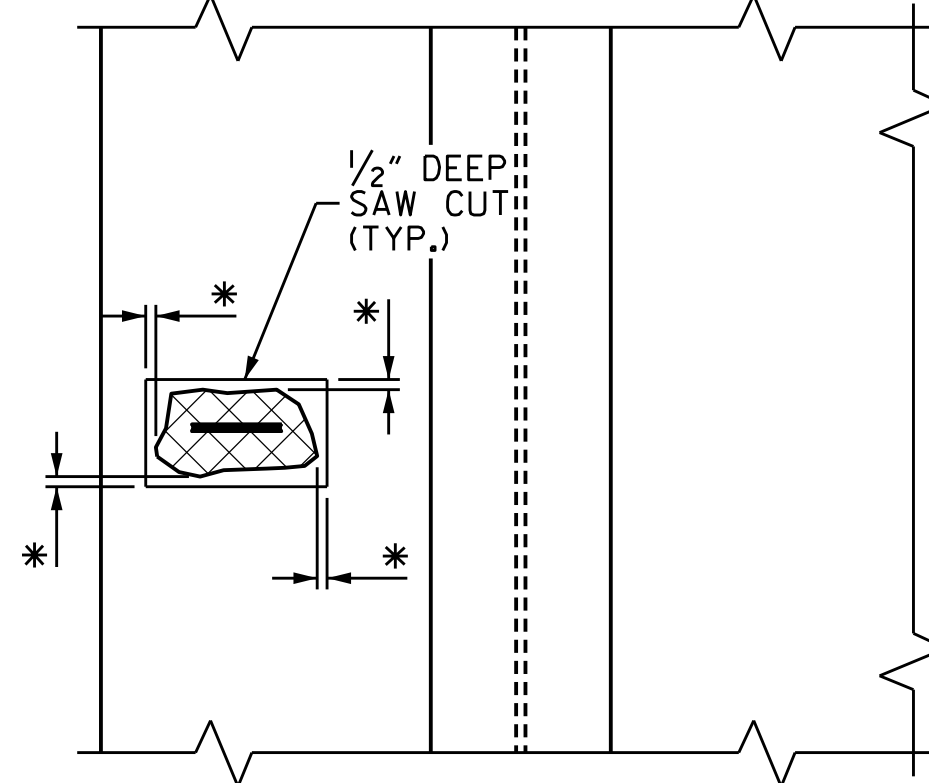


\* REMOVE CONCRETE UNTIL SOUND CONCRETE IS FOUND (2" MIN. CL.)

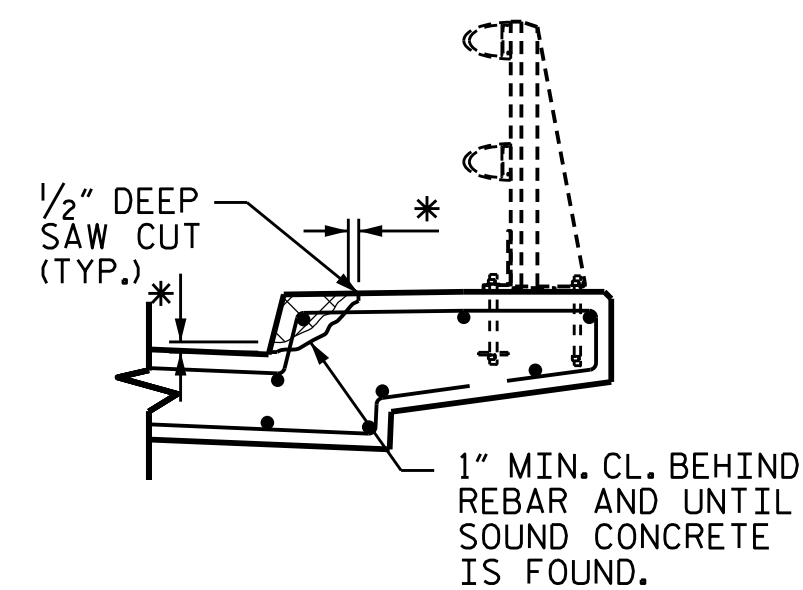


TYPICAL SECTION



SECTION E-E

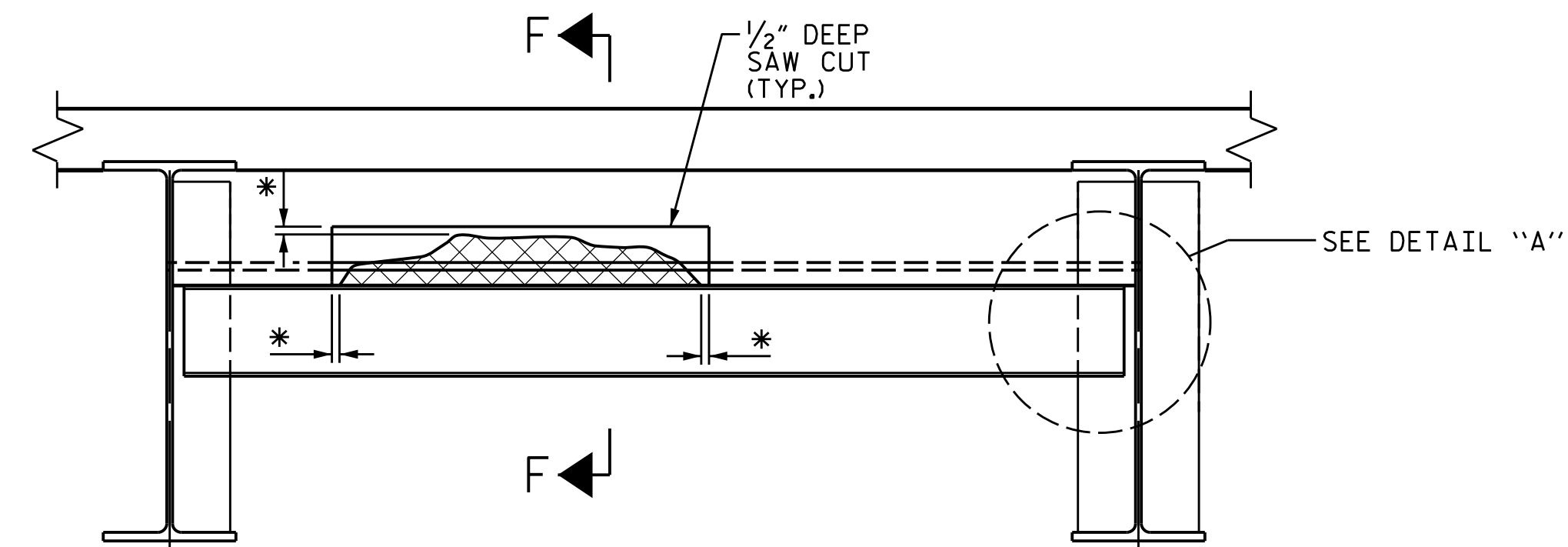
OVERHANG DETAILS



\* REMOVE CONCRETE UNTIL SOUND CONCRETE IS FOUND (2" MIN. CL.)

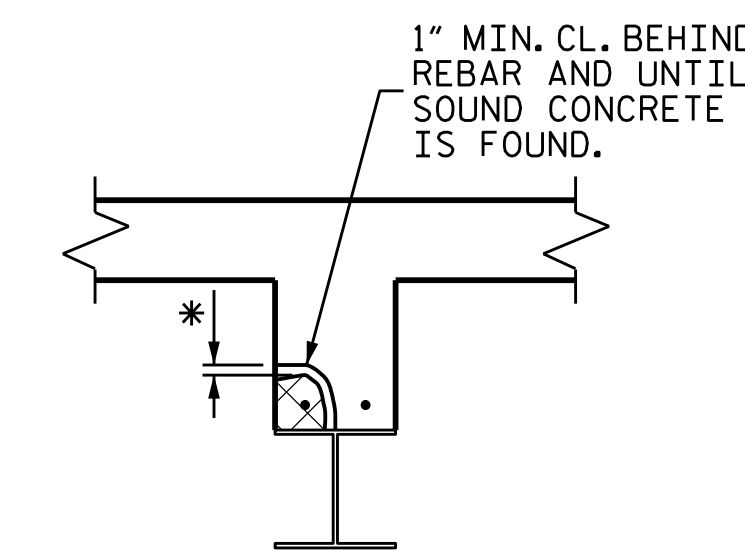
TYPICAL SECTION

BRIDGE RAIL AND CURB REPAIR DETAILS



TYPICAL SECTION

\* REMOVE CONCRETE UNTIL SOUND CONCRETE IS FOUND (2" MIN. CL.)



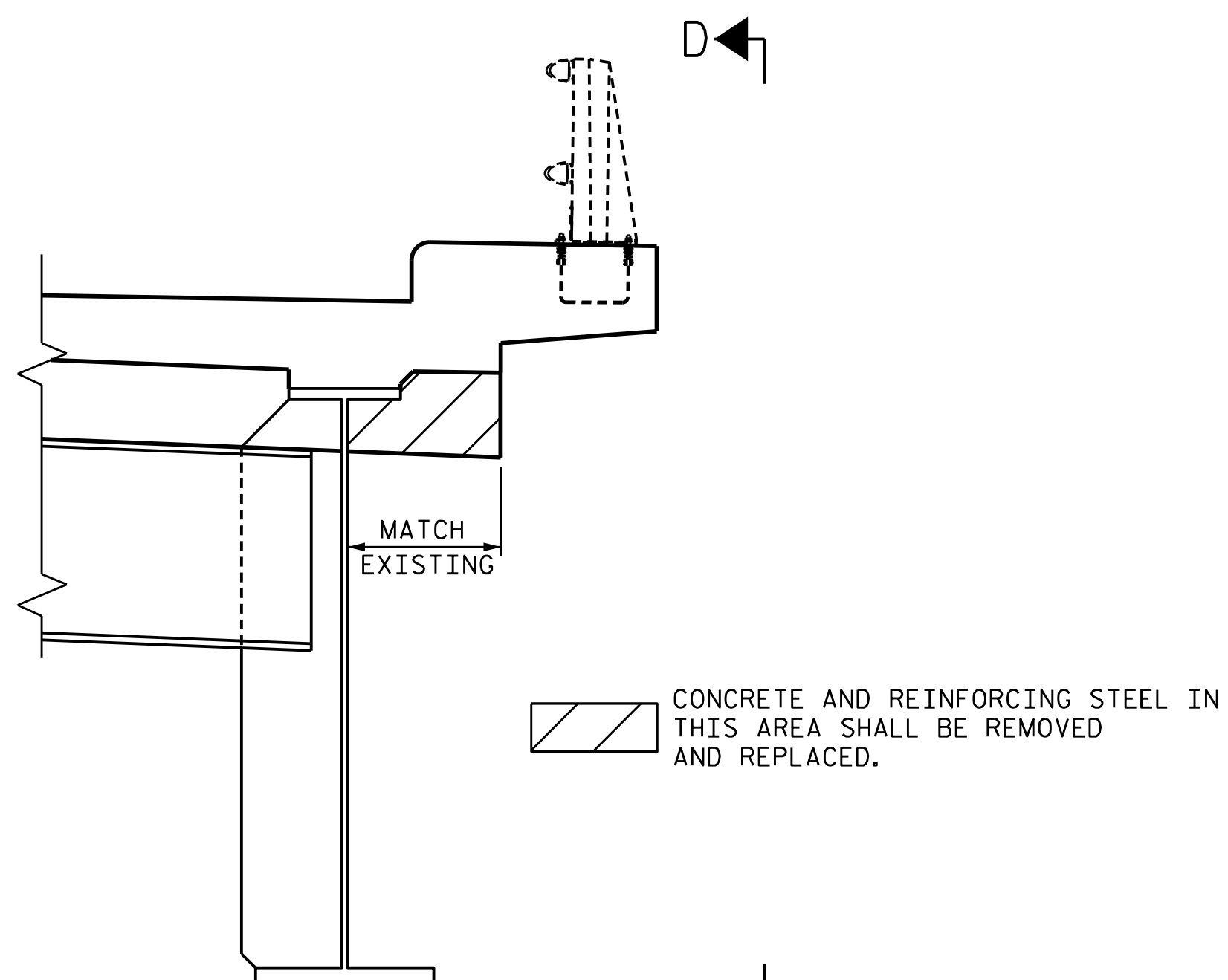
SECTION F-F

INTERIOR DIAPHRAGM REPAIR DETAILS

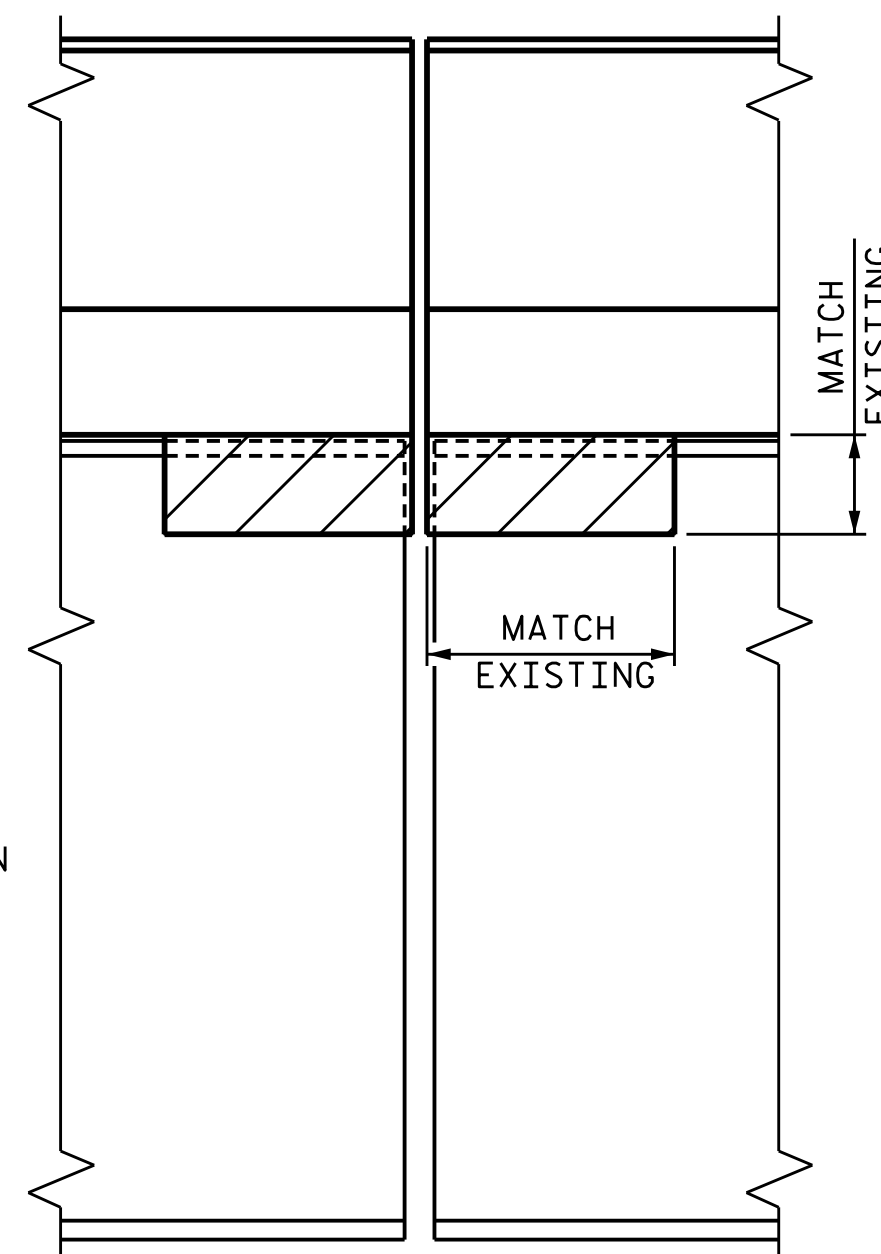
DAMAGED AREA

NOTE: EXISTING REBAR TO REMAIN IN PLACE. CLEAN AND REPAIR AS NECESSARY.

NOTE: OVERHANG DIAPHRAGMS TO BE REMOVED AND REPLACED, ARE SHOWN ON "PLAN OF SPAN" SHEET. OVERHANG DIAPHRAGMS SHALL BE REMOVED PRIOR TO CLEANING AND PAINTING OF BEARINGS AND REPLACED AFTER BEAM REPAIRS AND PAINTING ARE COMPLETE.

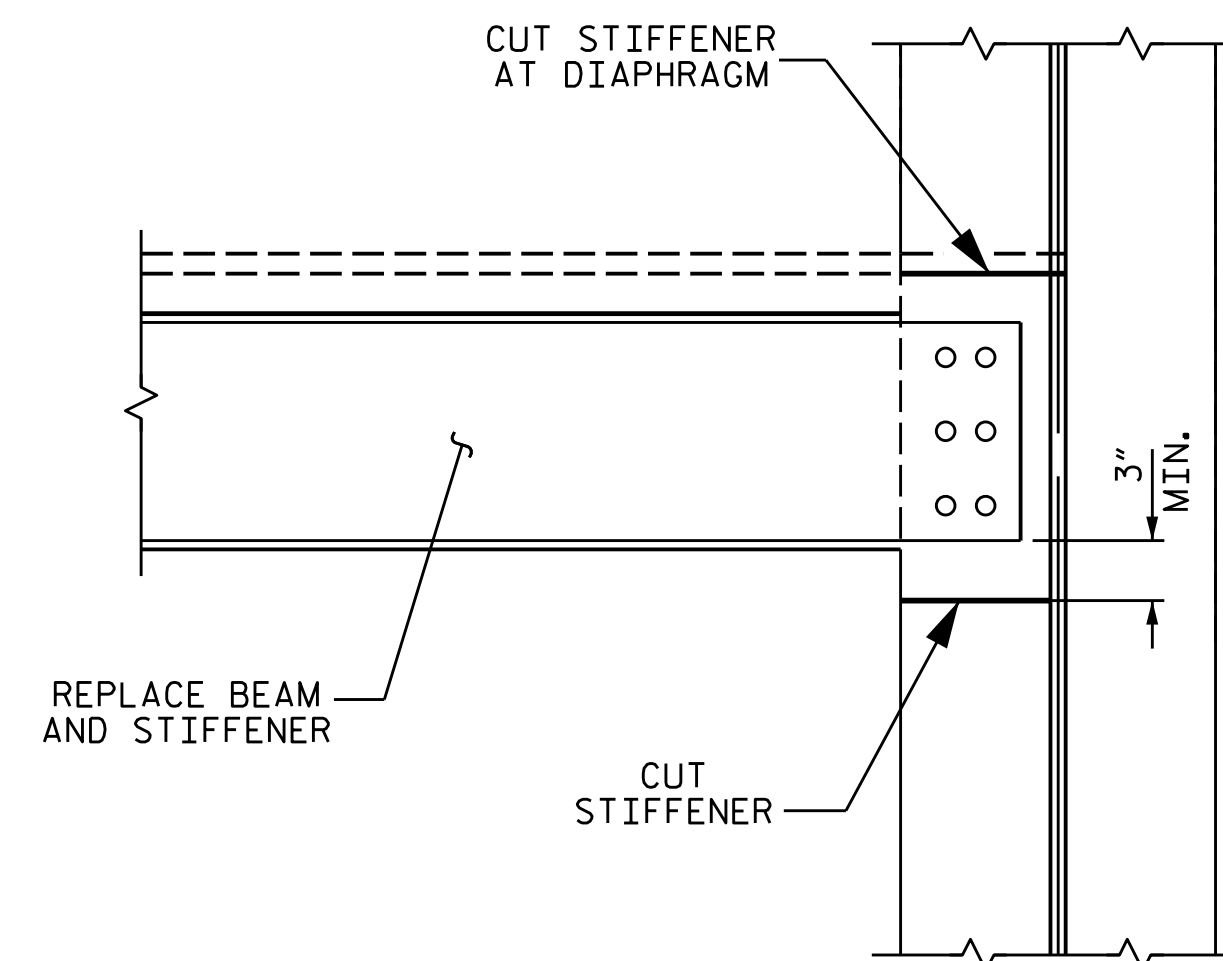


TYPICAL SECTION

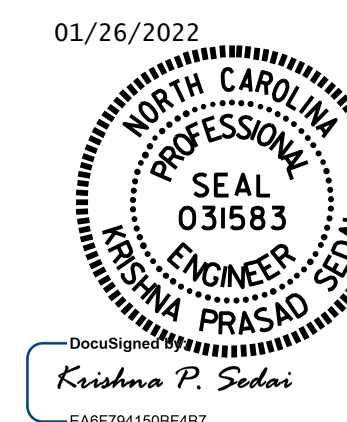


SECTION D-D

OVERHANG DIAPHRAGM REPLACEMENT DETAILS



DETAIL "A"



PROJECT NO. 15BPR.55  
FORSYTH COUNTY  
 BRIDGE NO. 330078 &  
330227

STATE OF NORTH CAROLINA  
 DEPARTMENT OF TRANSPORTATION  
 RALEIGH  
**OVERHANG AND  
 DIAPHRAGM  
 REPAIR DETAILS**

DRAWN BY : E. BAYISSA DATE : 10/2021  
 CHECKED BY : A. SORSENGINH DATE : 10/2021

DOCUMENT NOT CONSIDERED  
 FINAL UNLESS ALL  
 SIGNATURES COMPLETED

REVISIONS						SHEET NO.
NO.	BY:	DATE:	NO.	BY:	DATE:	S-70
1			3			TOTAL SHEETS
2			4			79