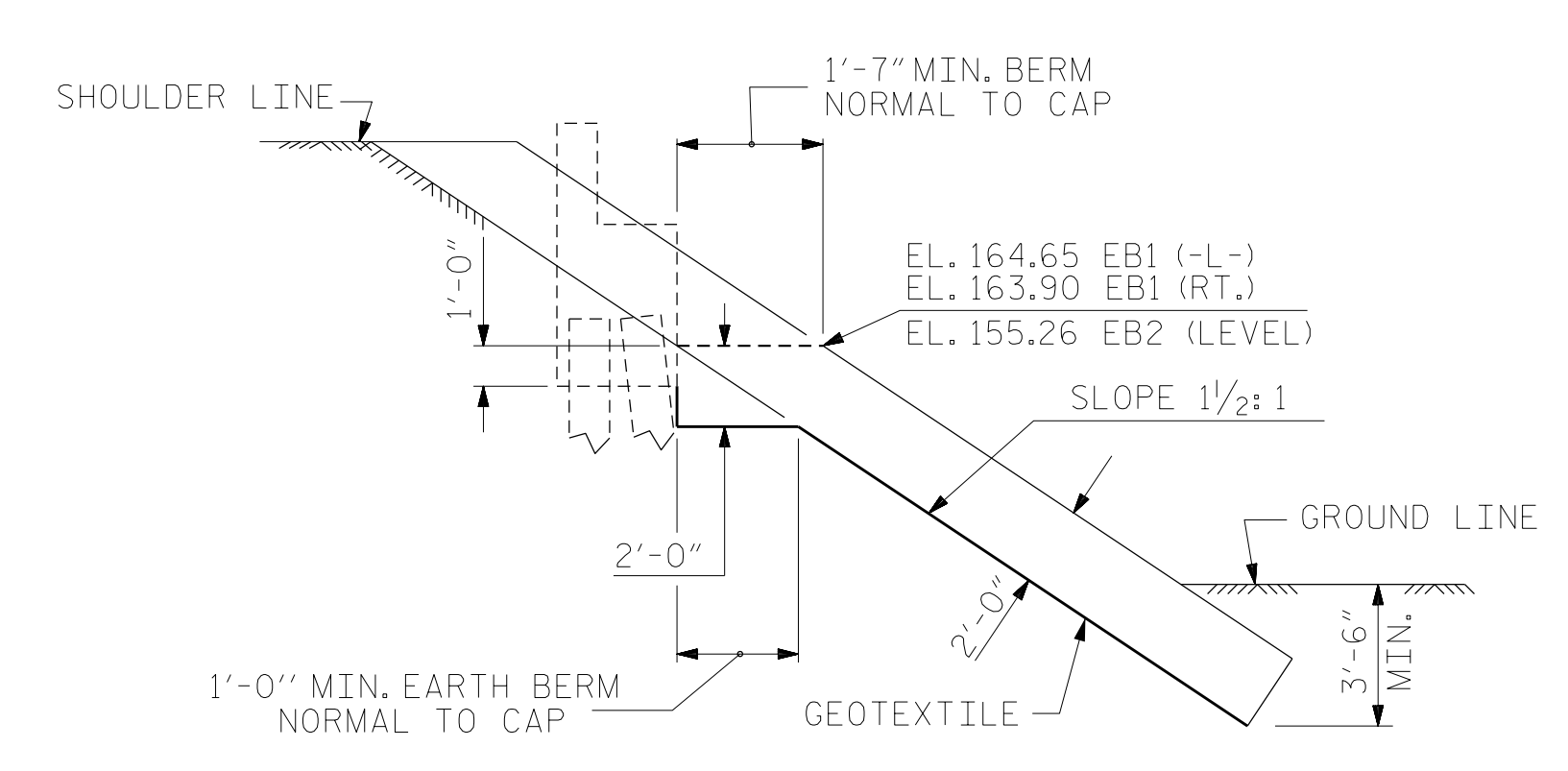


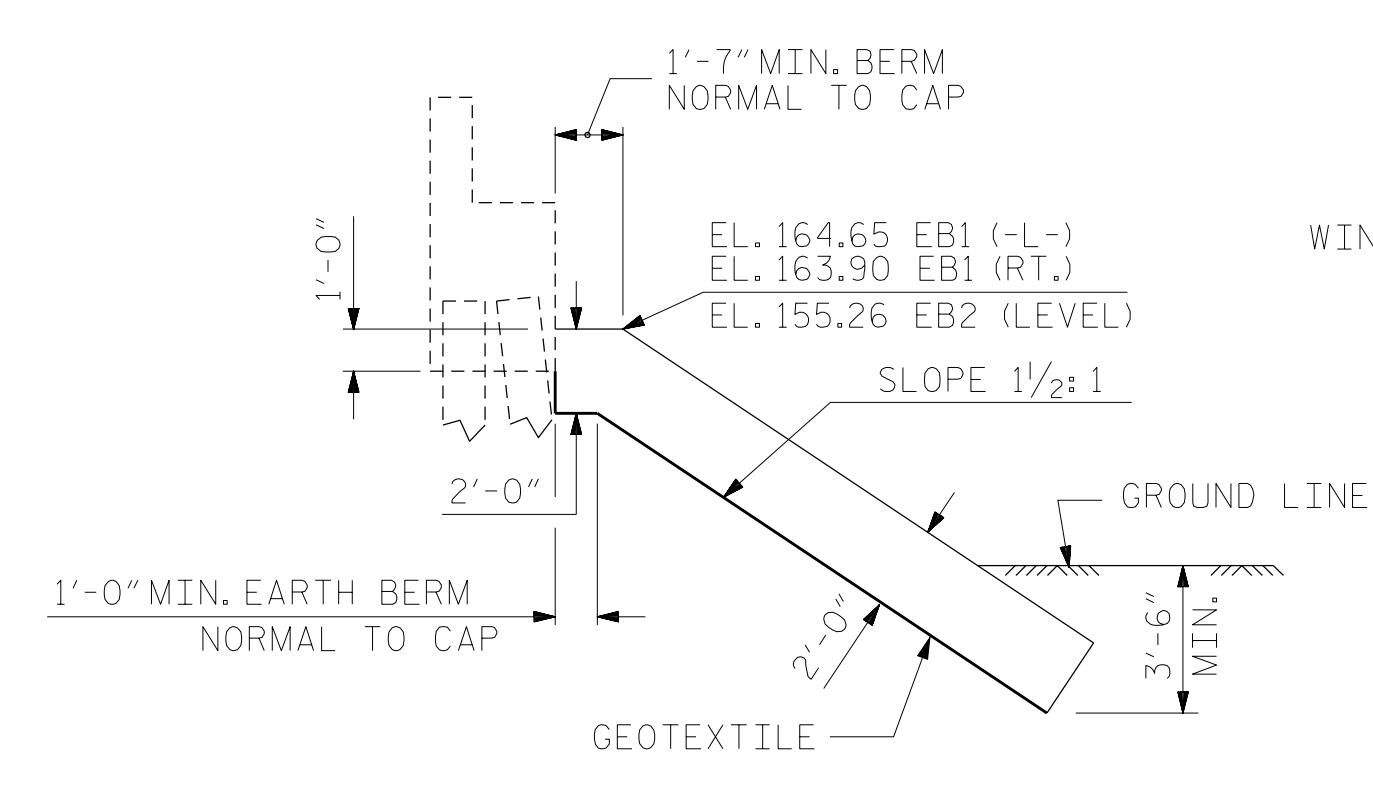
PLAN

NOTES :  
 FOR BERM WIDTH DIMENSIONS, SEE GENERAL DRAWING.  
 RIP RAP AND GEOTEXTILE QUANTITIES ARE FROM RIGHT OF -L-.

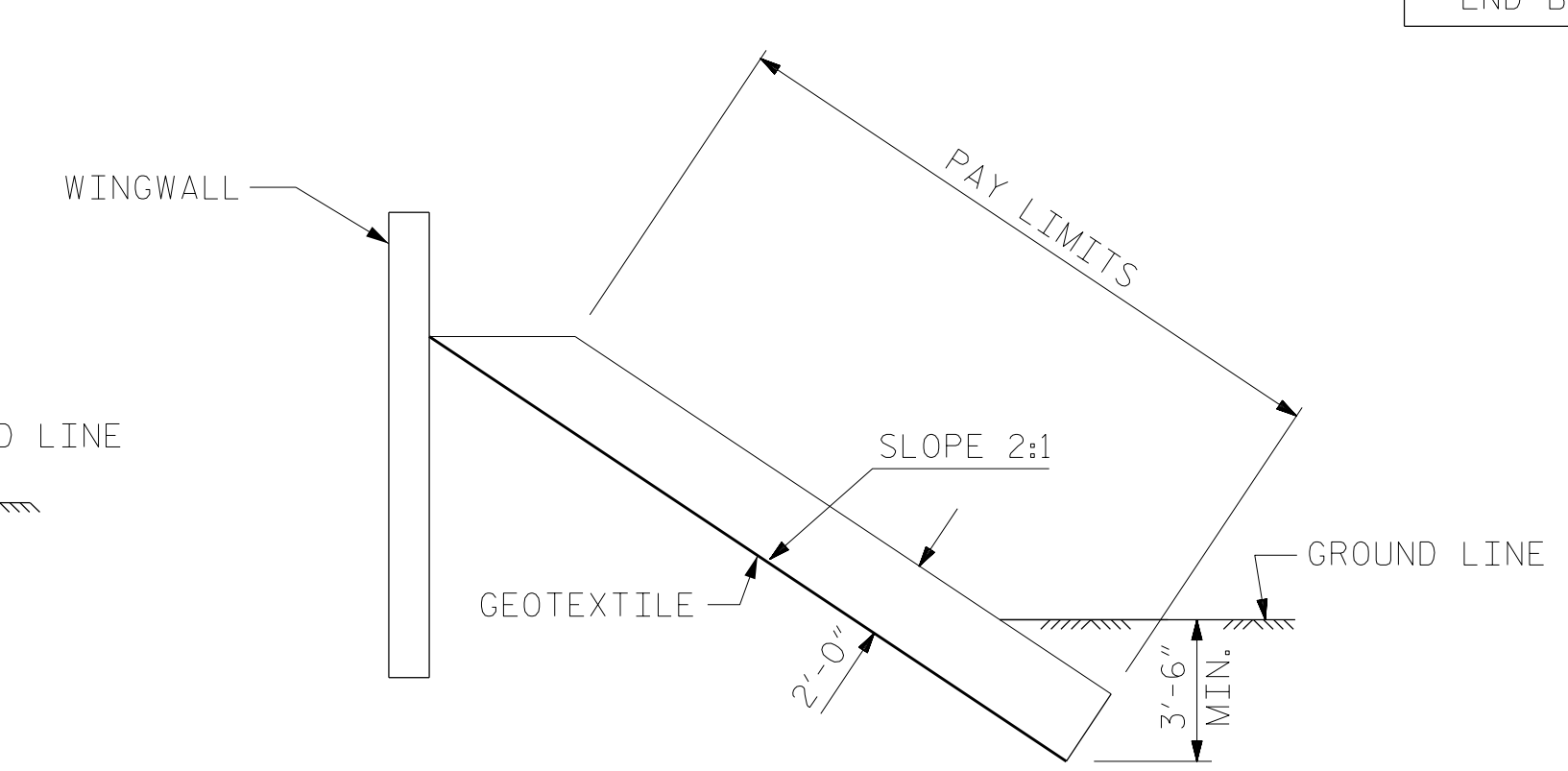
| ESTIMATED QUANTITIES          |                                      |                            |
|-------------------------------|--------------------------------------|----------------------------|
| BRIDGE @<br>STA. 76+80.00 -L- | RIP RAP<br>CLASS II<br>(2'-0" THICK) | GEOTEXTILE<br>FOR DRAINAGE |
|                               | TONS                                 | SQUARE YARDS               |
| END BENT 1                    | 214                                  | 238                        |
| END BENT 2                    | 116                                  | 129                        |



SECTION H-H



RIGHT LANE WORK LINE SECTION  
BERM RIP RAPPED



SECTION C-C

PROJECT NO. U-5798A  
CUMBERLAND COUNTY  
 STATION: 76+80.00 -L-



STATE OF NORTH CAROLINA  
 DEPARTMENT OF TRANSPORTATION  
 RALEIGH  
**RIP RAP DETAILS**  
 RIGHT LANE

DRAWN BY : TWL DATE : 01/2021  
 CHECKED BY : MRA DATE : 01/2021  
 DESIGN ENGINEER OF RECORD: RLB DATE : 09/2021

DOCUMENT NOT CONSIDERED  
 FINAL UNLESS ALL  
 SIGNATURES COMPLETED

**RS&H**  
 RS&H Architects-Engineers-Planners, Inc.  
 8521 Six Forks Road, Suite 400  
 919-926-4100 FAX 919-846-9080  
 www.rsandh.com  
 North Carolina License No. 50737-F-0403-C-02

| REVISIONS |     |       |     |     |       | SHEET NO.    |
|-----------|-----|-------|-----|-----|-------|--------------|
| NO.       | BY: | DATE: | NO. | BY: | DATE: | TOTAL SHEETS |
| 1         |     |       | 3   |     |       | 43           |
| 2         |     |       | 4   |     |       |              |