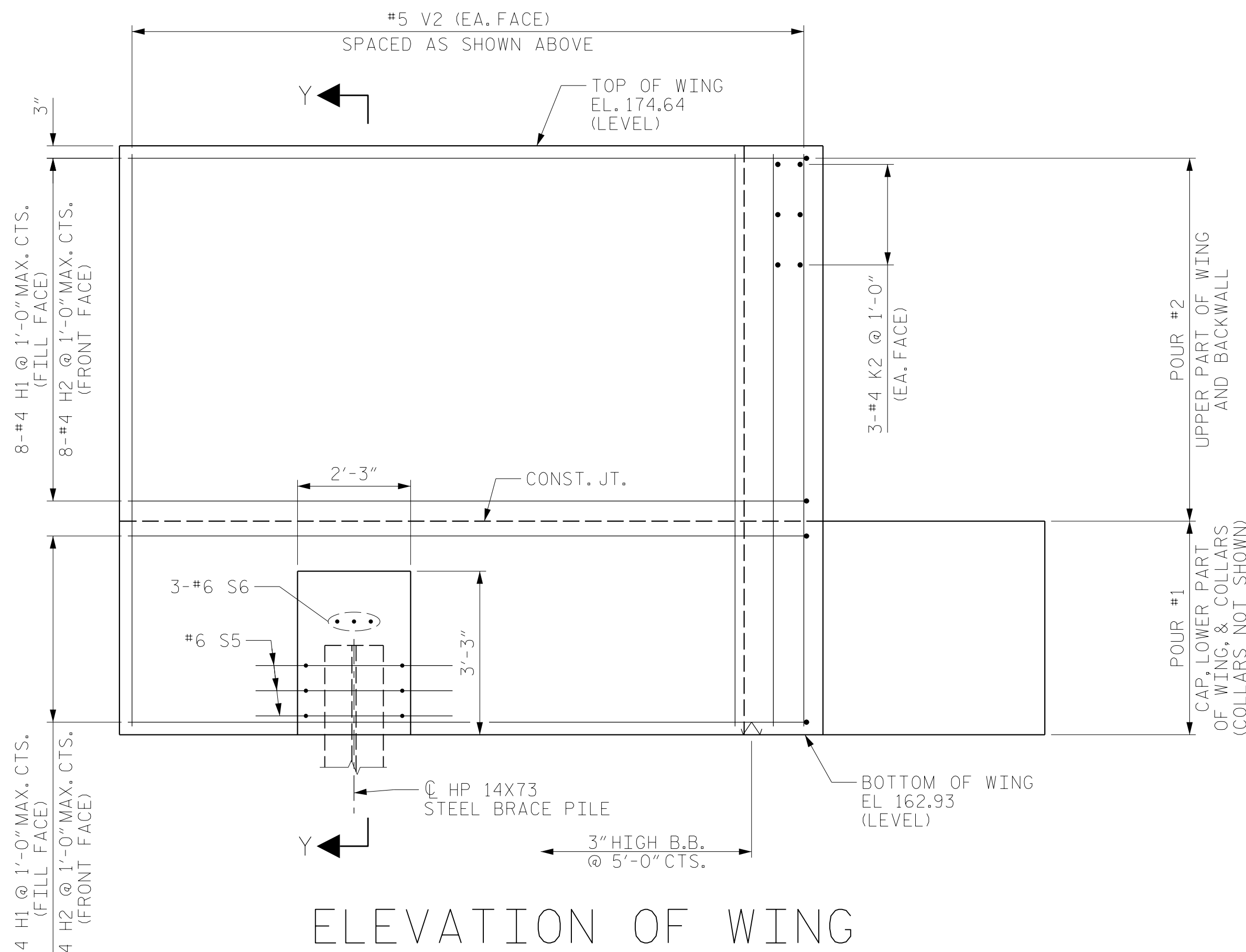
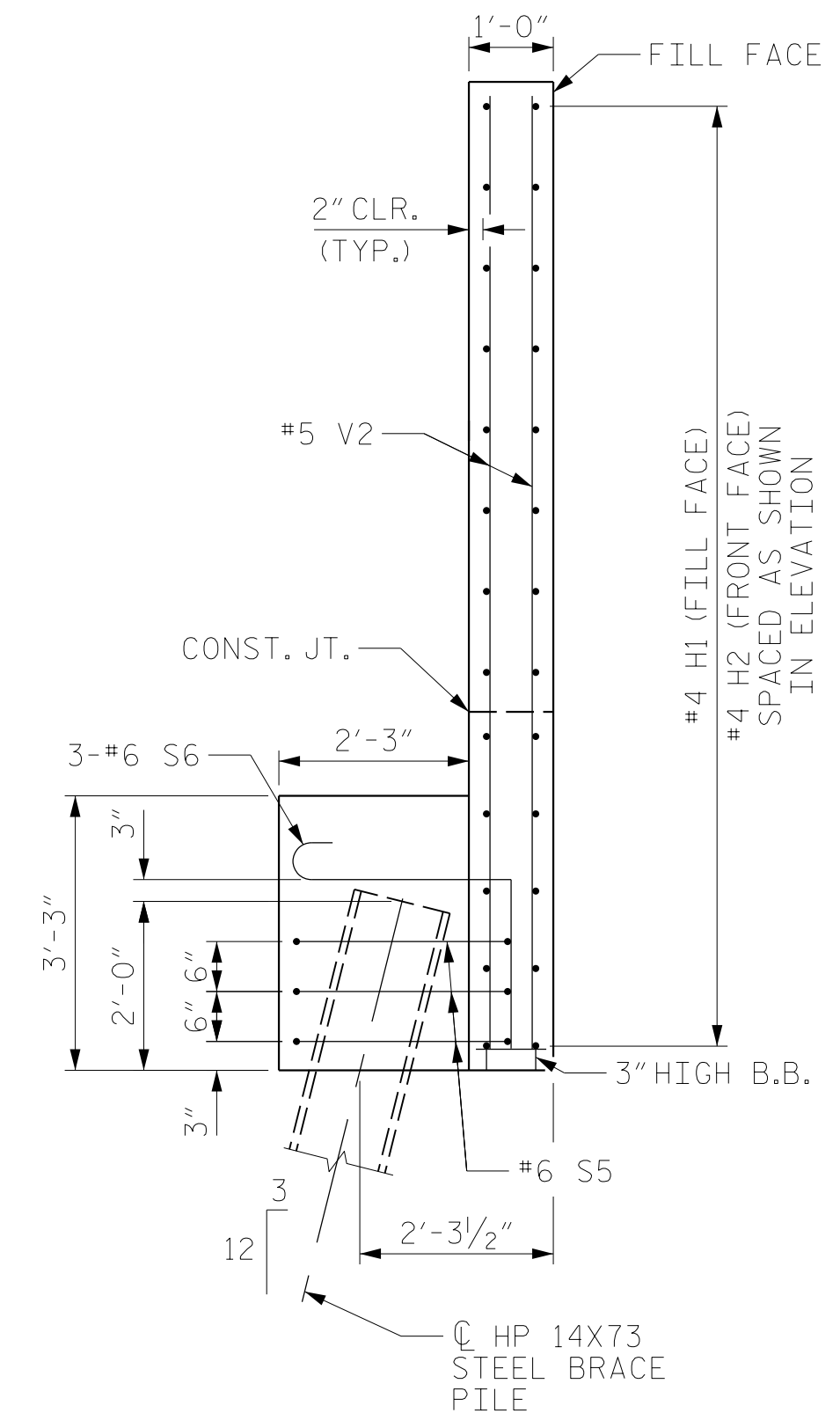


PLAN OF WING



ELEVATION OF WING



SECTION Y-Y

PROJECT NO. U-5798A  
CUMBERLAND COUNTY  
 STATION: 76+80.00 -L-

SHEET 2 OF 3



STATE OF NORTH CAROLINA  
 DEPARTMENT OF TRANSPORTATION  
 RALEIGH  
 SUBSTRUCTURE  
 END BENT 1  
 WING WALL DETAILS  
 RIGHT LANE

REVISIONS						SHEET NO.
NO.	BY:	DATE:	NO.	BY:	DATE:	S2-32
1			3			TOTAL SHEETS
2			4			43

DOCUMENT NOT CONSIDERED  
 FINAL UNLESS ALL  
 SIGNATURES COMPLETED

DRAWN BY : NSC DATE : 03/2020  
 CHECKED BY : MKO DATE : 04/2021  
 DESIGN ENGINEER OF RECORD: RLB DATE : 09/2021