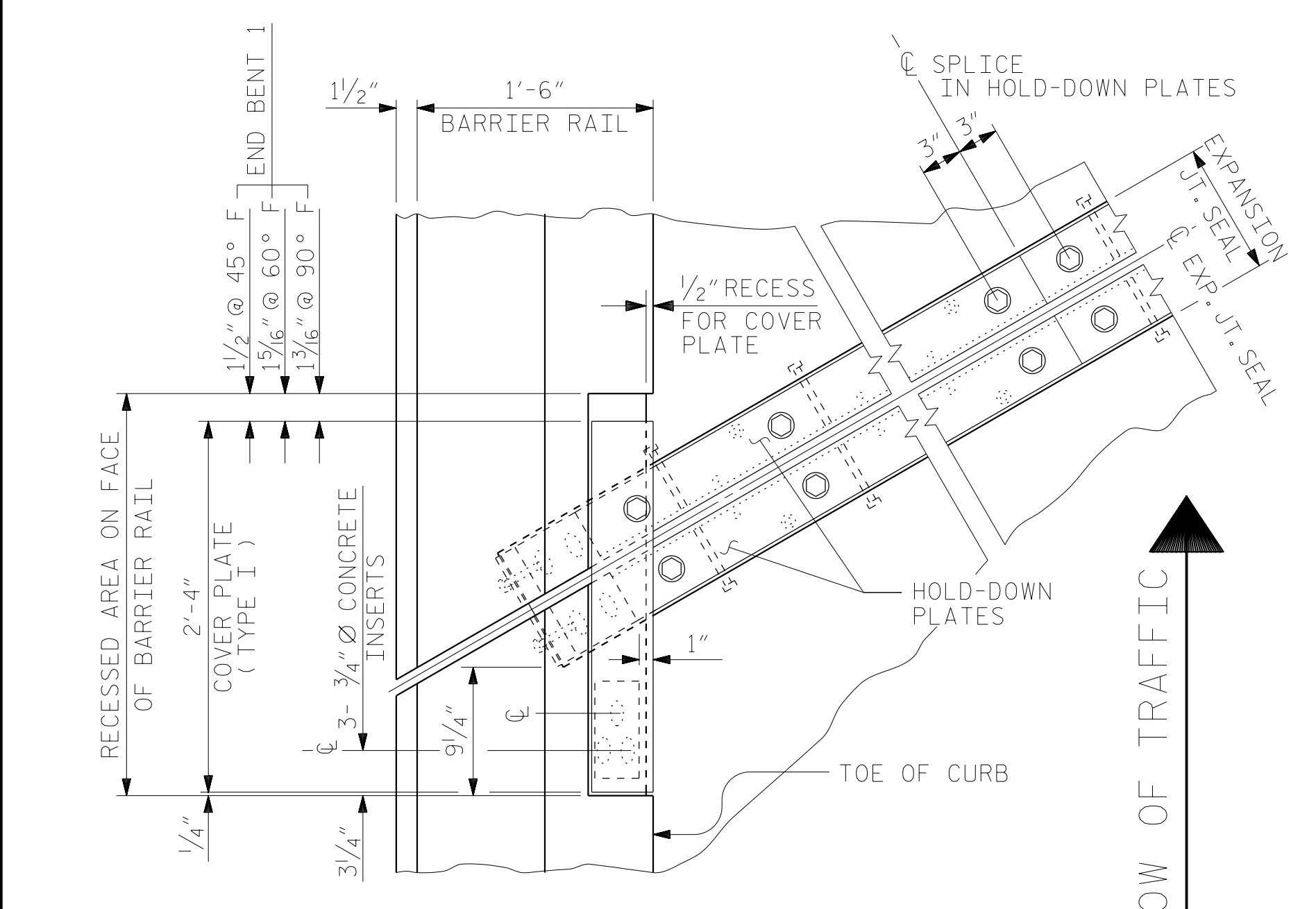
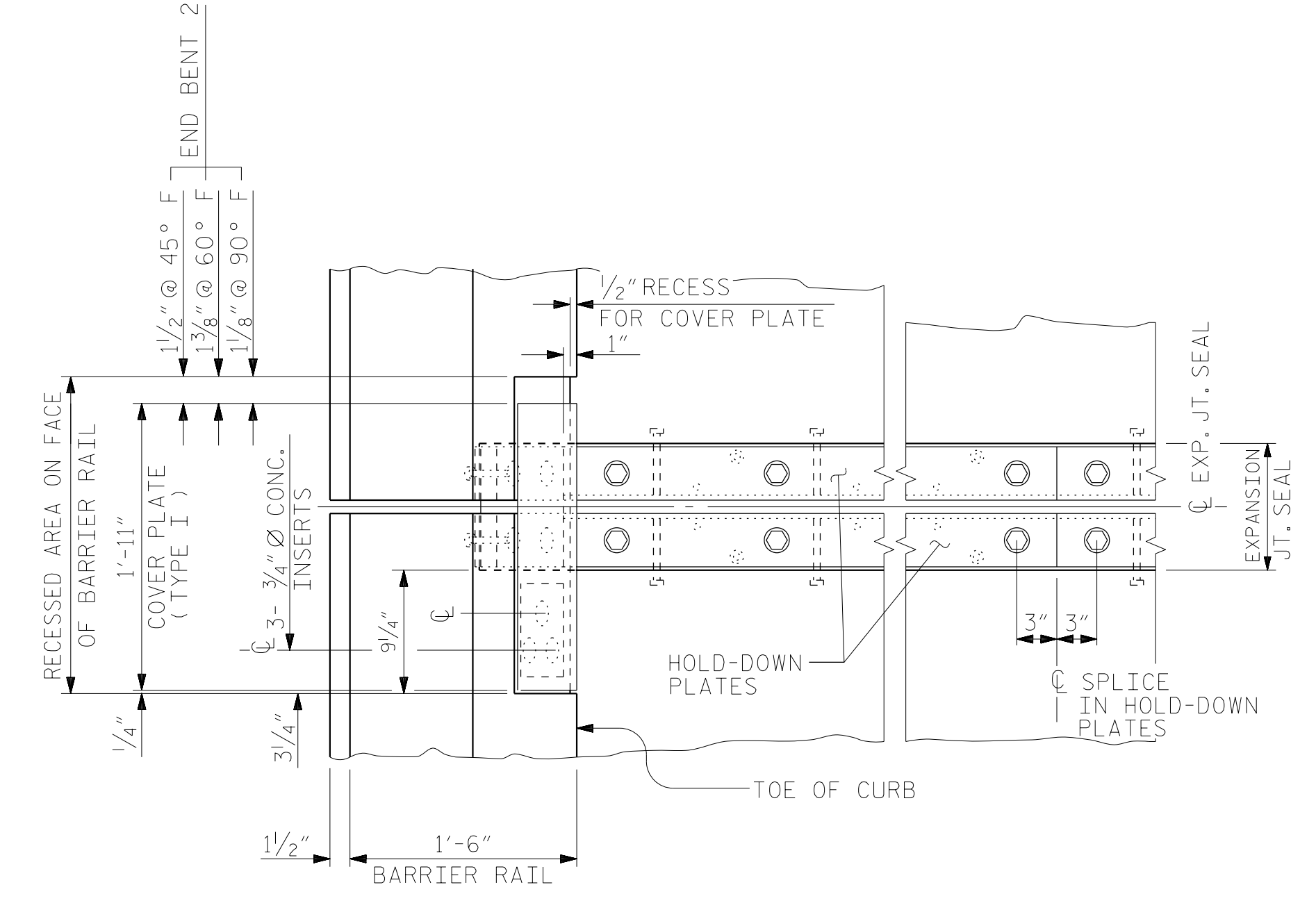


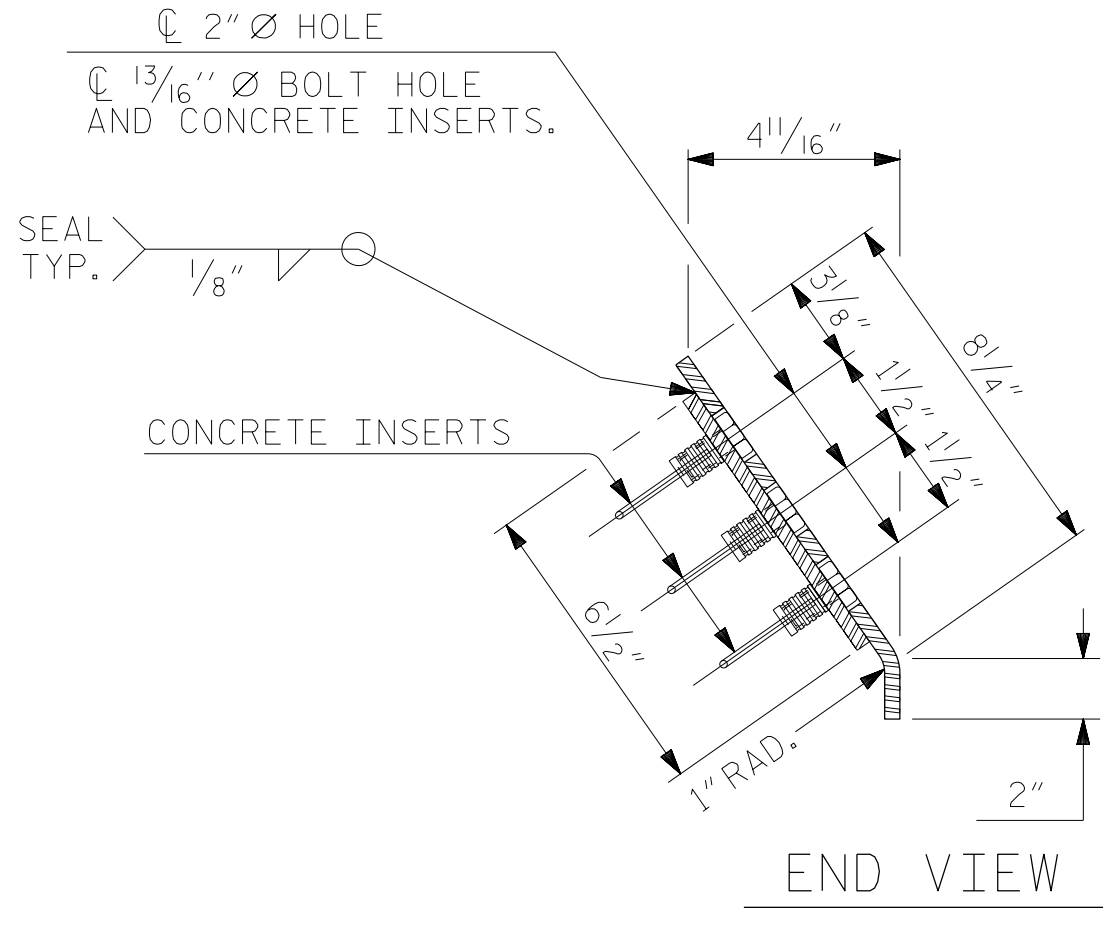
SECTION THRU RAIL NORMAL TO JOINT



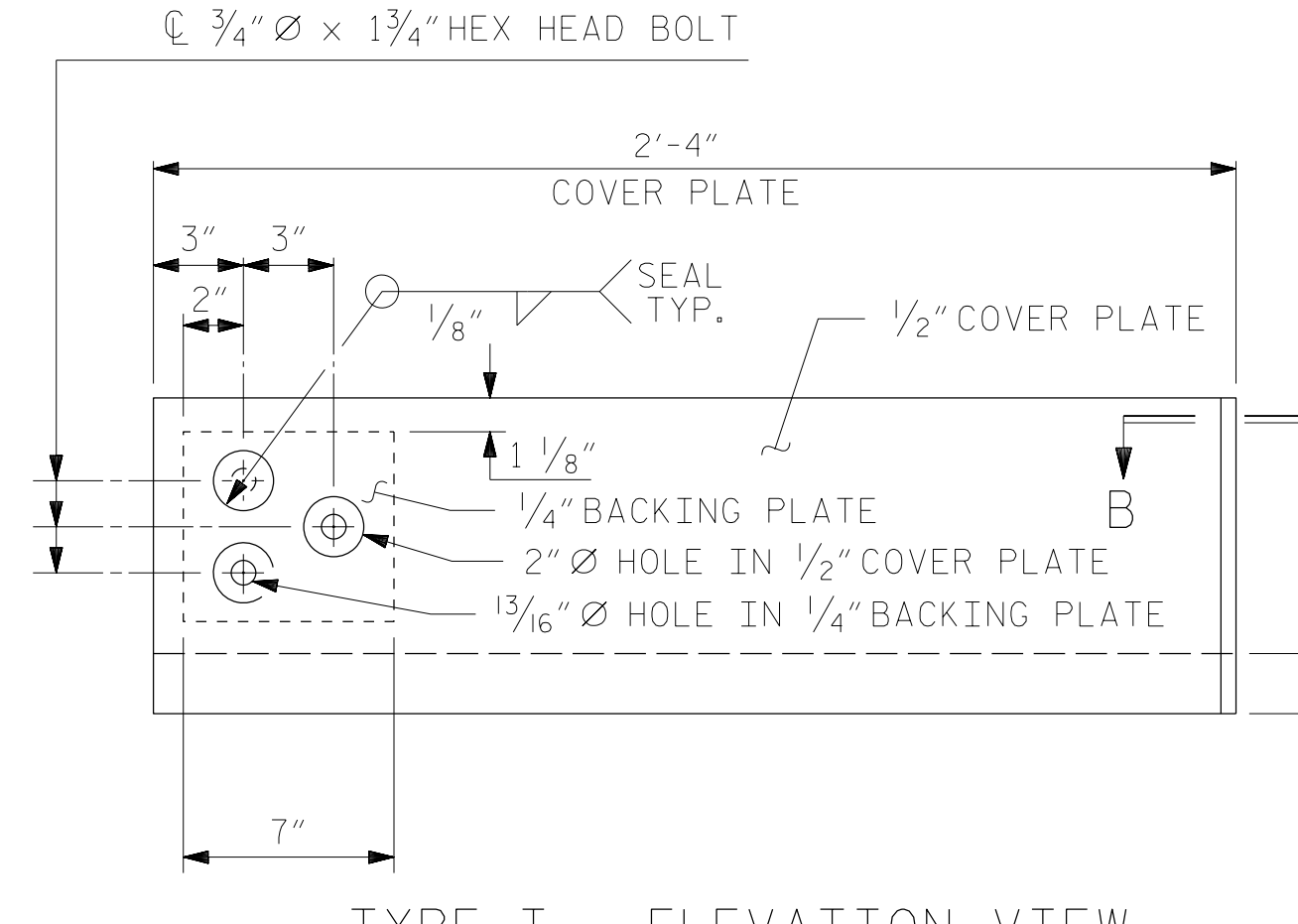
PLAN OF EXPANSION JOINT SEAL - END BENT 1



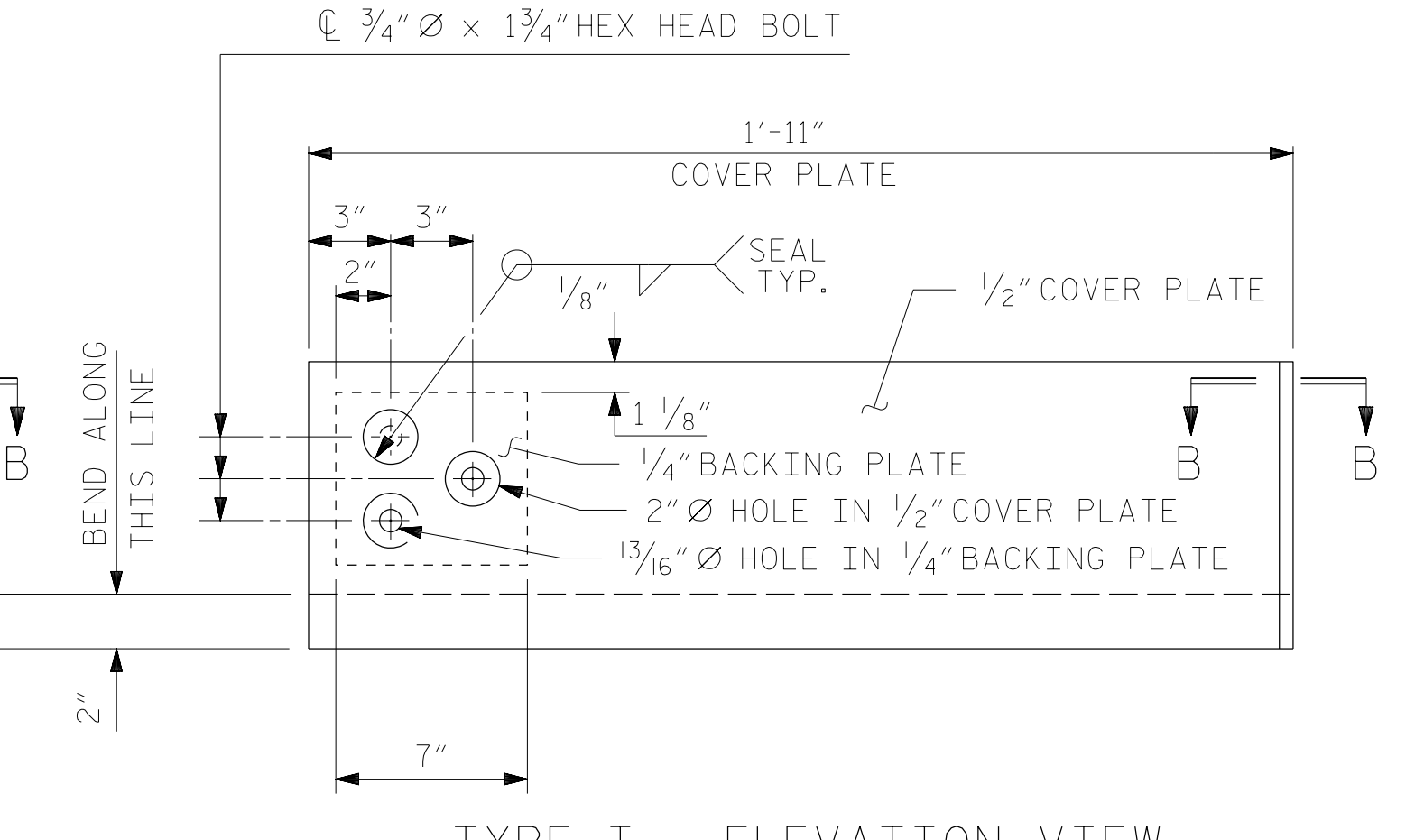
PLAN OF EXPANSION JOINT SEAL - END BENT 2



END VIEW

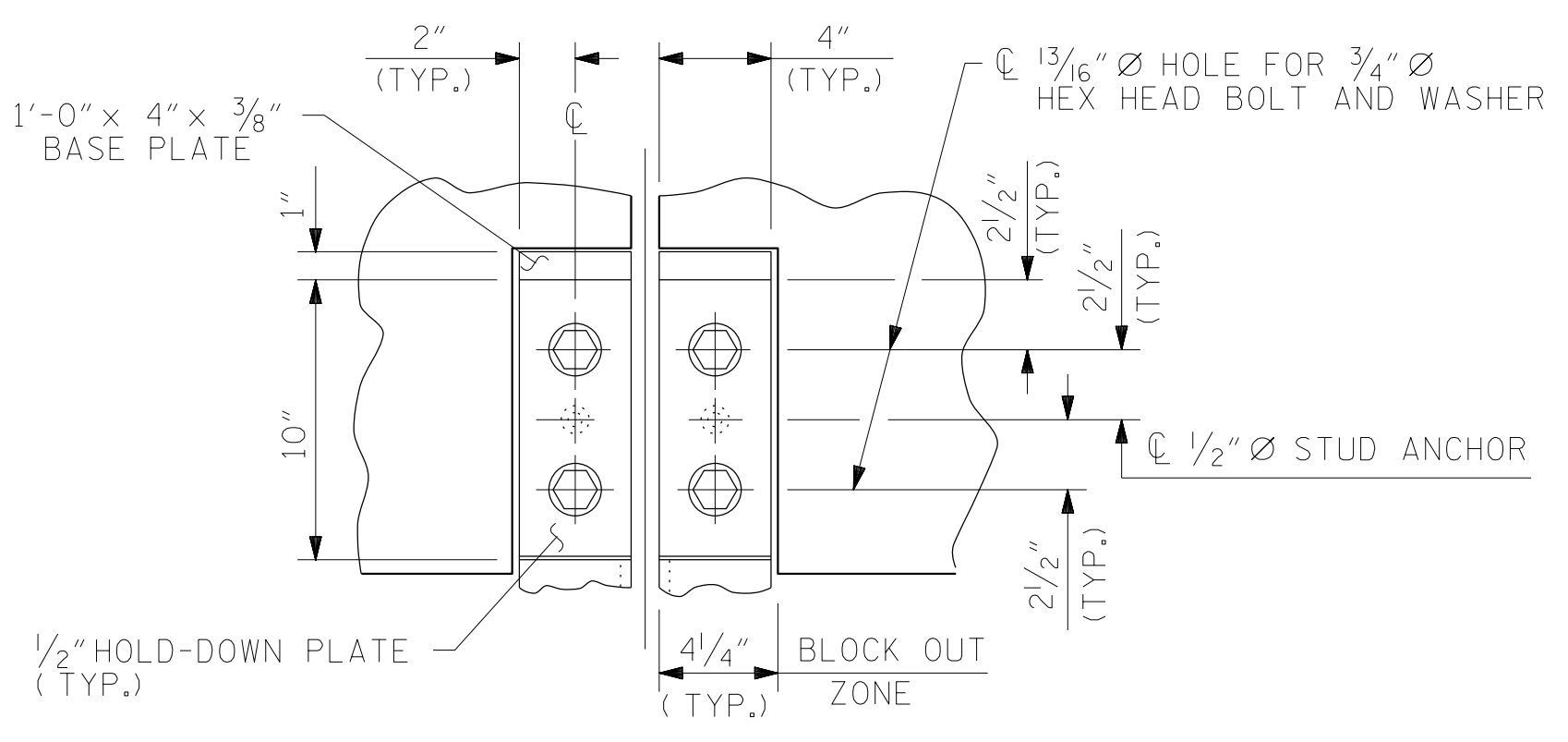


TYPE I - ELEVATION VIEW @ END BENT 1

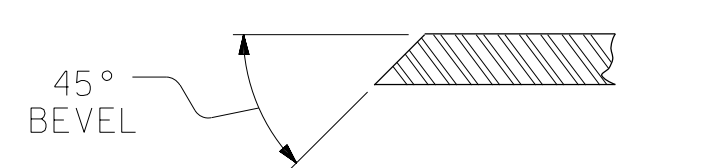


TYPE I - ELEVATION VIEW @ END BENT 2

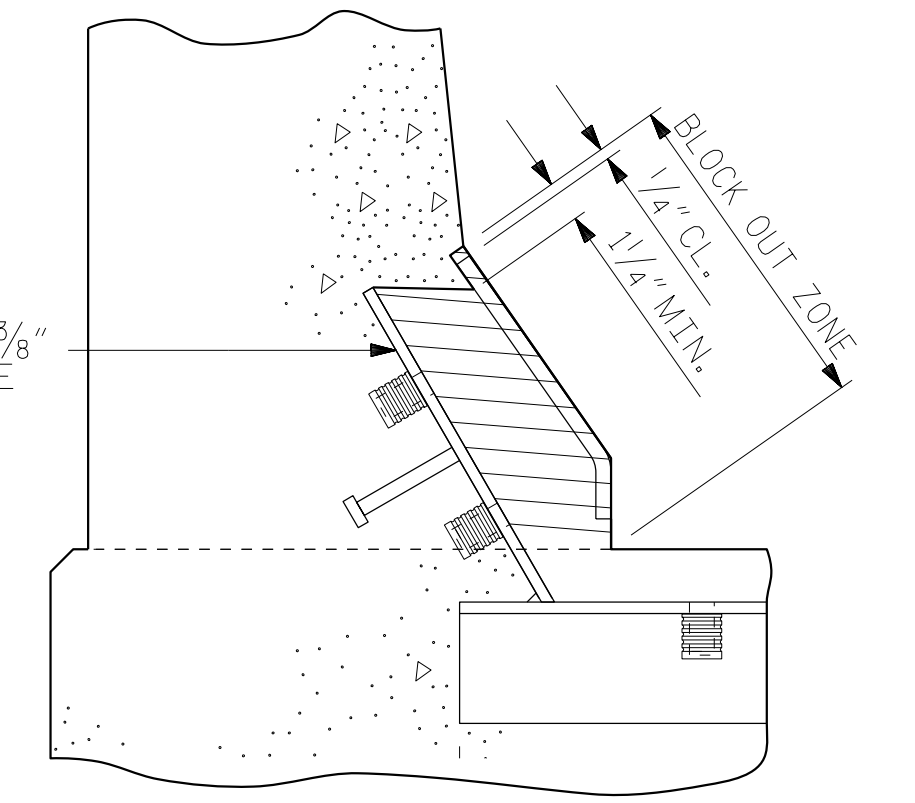
COVER PLATE DETAILS



SECTION A - A

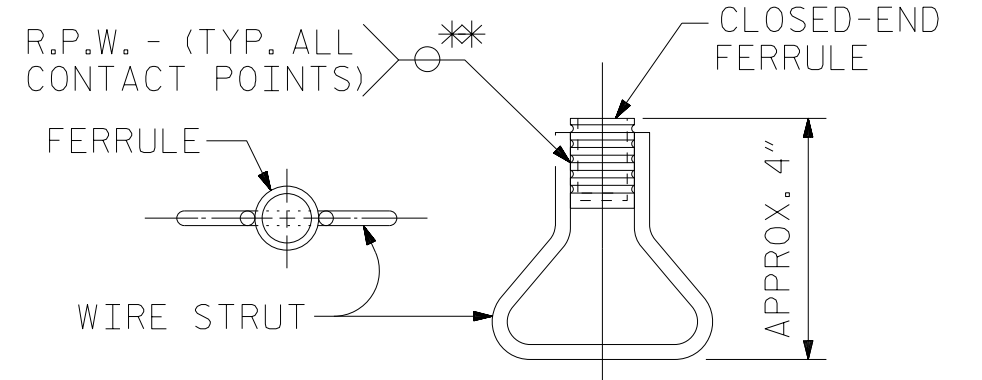


SECTION B - B



BLOCK OUT DETAIL

SEE "SECTION A - A" FOR OTHER DETAILS.

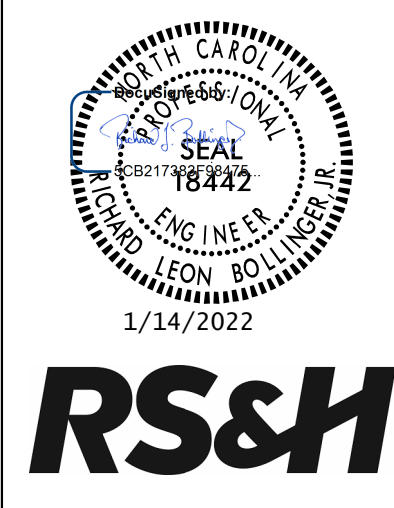


CONCRETE INSERT

* EACH WELDED ATTACHMENT OF WIRE TO FERRULE SHALL DEVELOP THE TENSILE STRENGTH OF THE WIRE.

PROJECT NO. U-5798A
 CUMBERLAND COUNTY
 STATION: 76+80.00 -L-

SHEET 2 OF 4



RS&H Architects-Engineers-Planners, Inc.
 8521 Six Forks Road, Suite 400
 919-926-4100 FAX 919-846-9080
 www.rsandh.com
 North Carolina License No. 50737-5463-C&E

STATE OF NORTH CAROLINA
 DEPARTMENT OF TRANSPORTATION
 RALEIGH
 EXPANSION JOINT SEAL DETAILS
 FOR BARRIER RAIL
 RIGHT LANE

REVISIONS						SHEET NO.
NO.	BY:	DATE:	NO.	BY:	DATE:	S2-27
1			3			TOTAL SHEETS
2			4			43

DRAWN BY : NSC	DATE : 04/2020
CHECKED BY : MRA	DATE : 05/2020
DESIGN ENGINEER OF RECORD: RLB	DATE : 09/2021

DOCUMENT NOT CONSIDERED FINAL UNLESS ALL SIGNATURES COMPLETED