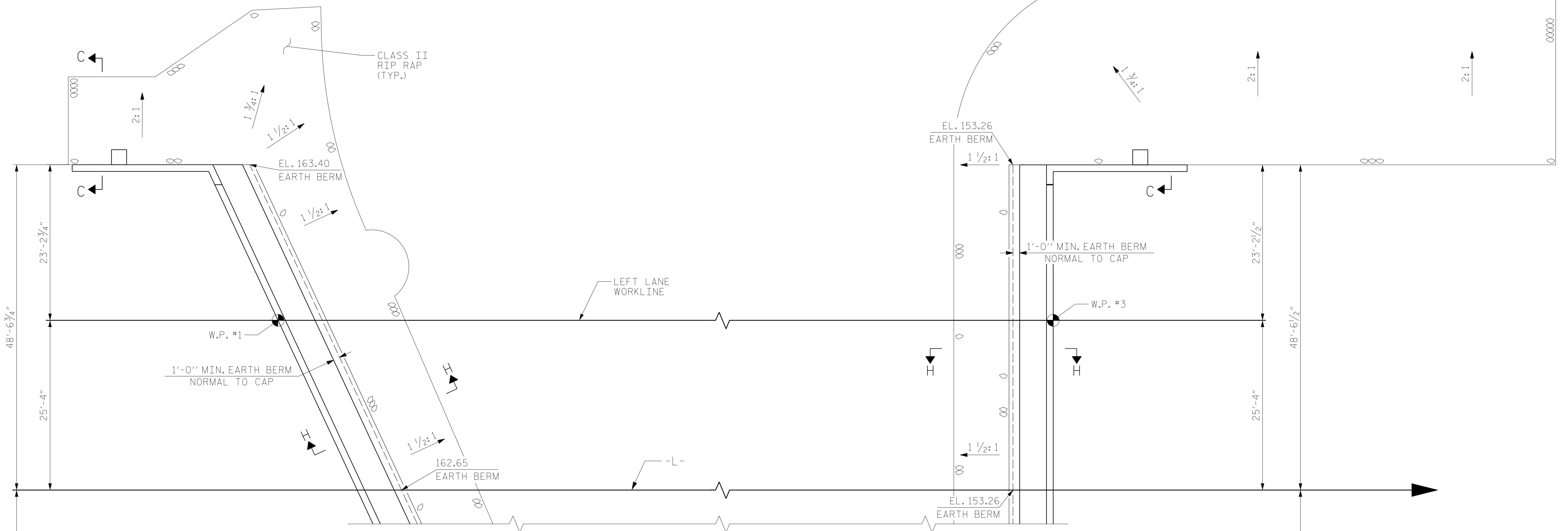
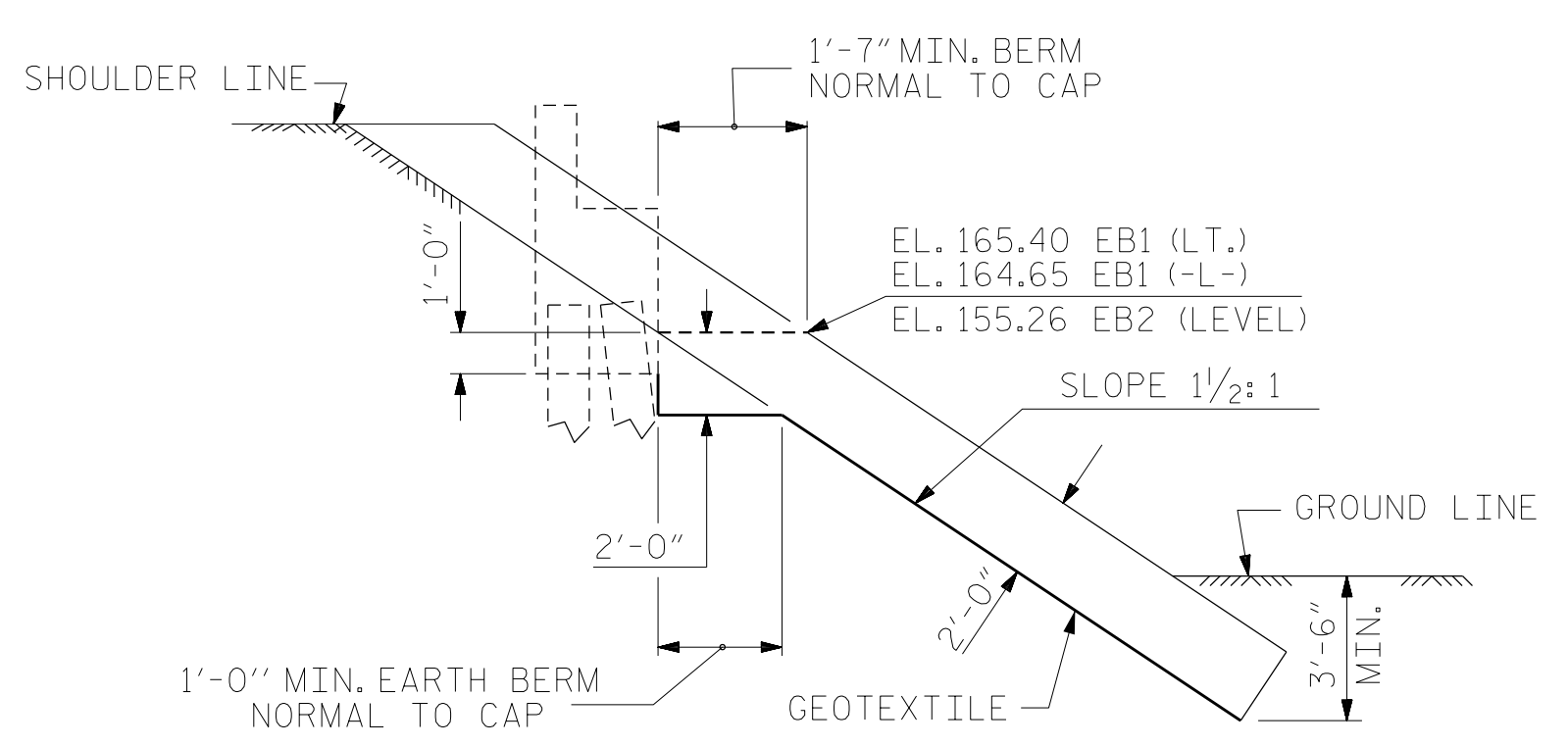


ESTIMATED QUANTITIES		
BRIDGE @ STA. 76+80.00 -L-	RIP RAP CLASS II (2'-0" THICK)	GEOTEXTILE FOR DRAINAGE
	TONS	SQUARE YARDS
END BENT 1	167	185
END BENT 2	365	405

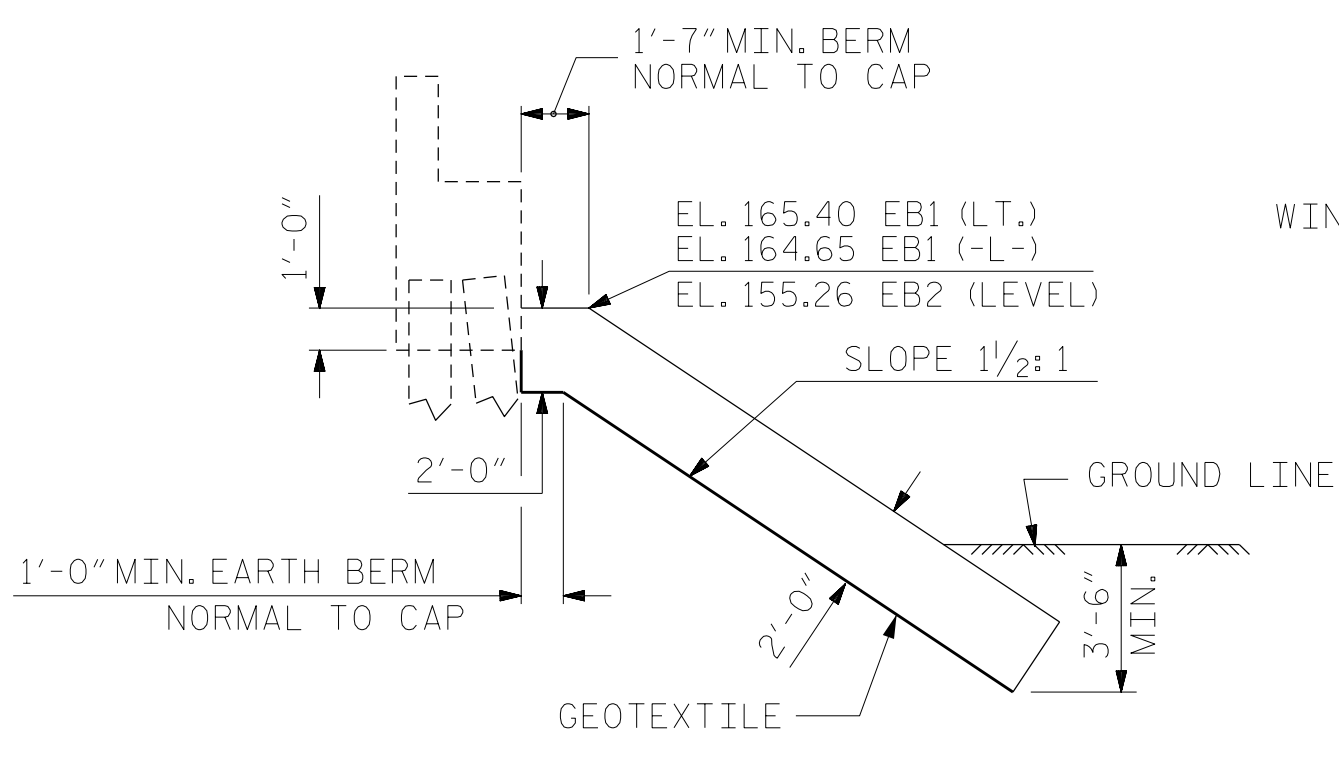
NOTES :
 FOR BERM WIDTH DIMENSIONS, SEE GENERAL DRAWING.
 RIP RAP AND GEOTEXTILE QUANTITIES ARE FROM LEFT OF -L-.



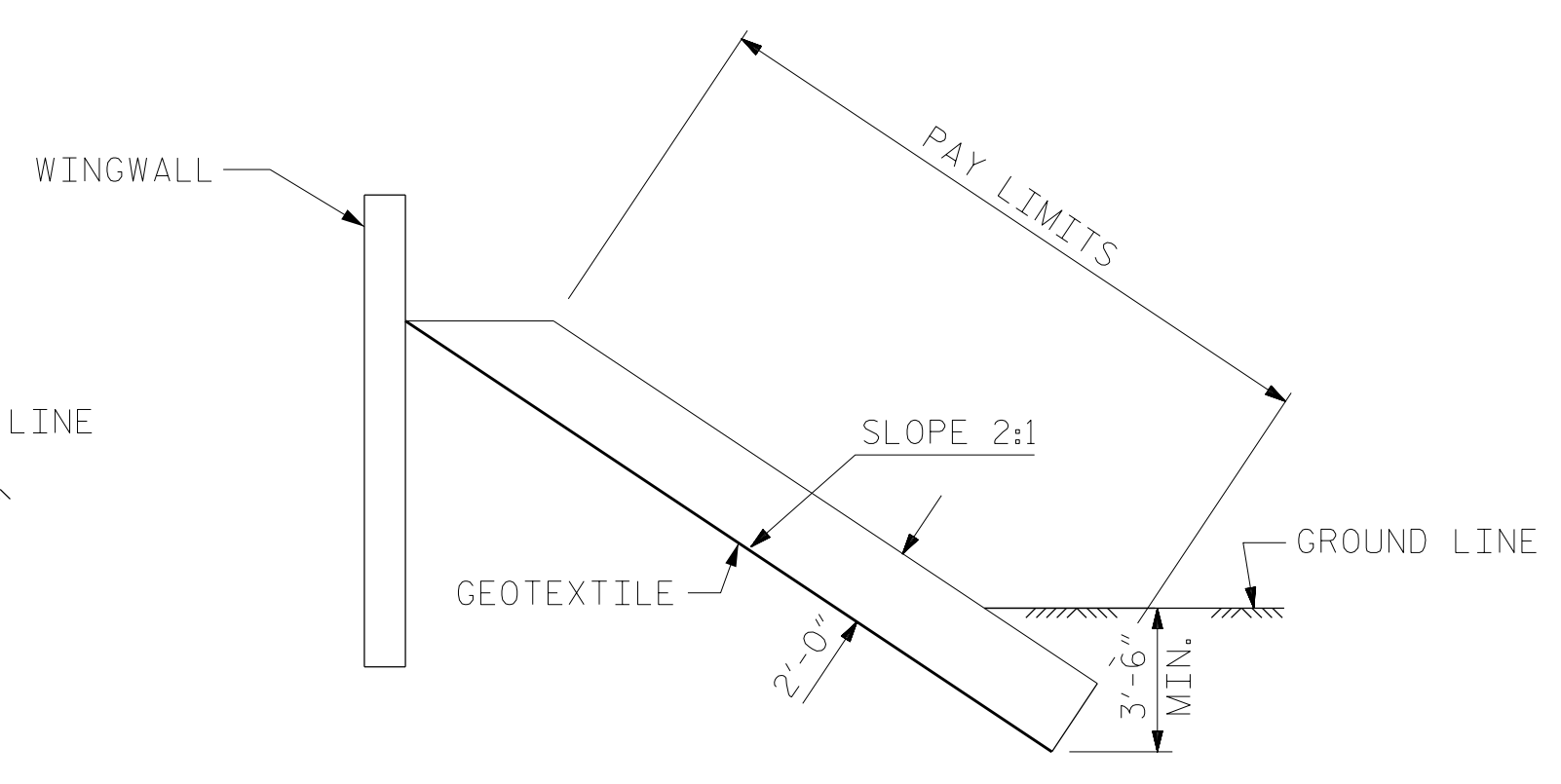
PLAN



SECTION H-H

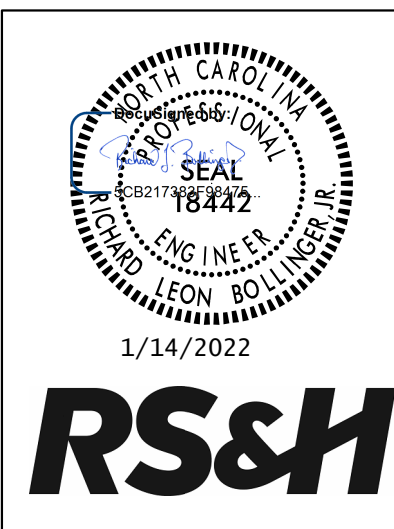


LEFT LANE WORK LINE SECTION
 BERM RIP RAPPED



SECTION C-C

PROJECT NO. U-5798A
 CUMBERLAND COUNTY
 STATION: 76+80.00 -L-



RS&H
 RS&H Architects-Engineers-Planners, Inc.
 8521 Six Forks Road, Suite 400
 919-926-4100 FAX 919-846-9080
 www.rsandh.com
 North Carolina License No. 50737-F-0403-C-28

STATE OF NORTH CAROLINA
 DEPARTMENT OF TRANSPORTATION
 RALEIGH
 RIP RAP DETAILS
 LEFT LANE

REVISIONS						SHEET NO.
NO.	BY:	DATE:	NO.	BY:	DATE:	S1-40
1			3			TOTAL SHEETS
2			4			43

DRAWN BY : TWL DATE : 05/2020
 CHECKED BY : MRA DATE : 05/2020
 DESIGN ENGINEER OF RECORD: RLB DATE : 09/2021

DOCUMENT NOT CONSIDERED
 FINAL UNLESS ALL
 SIGNATURES COMPLETED