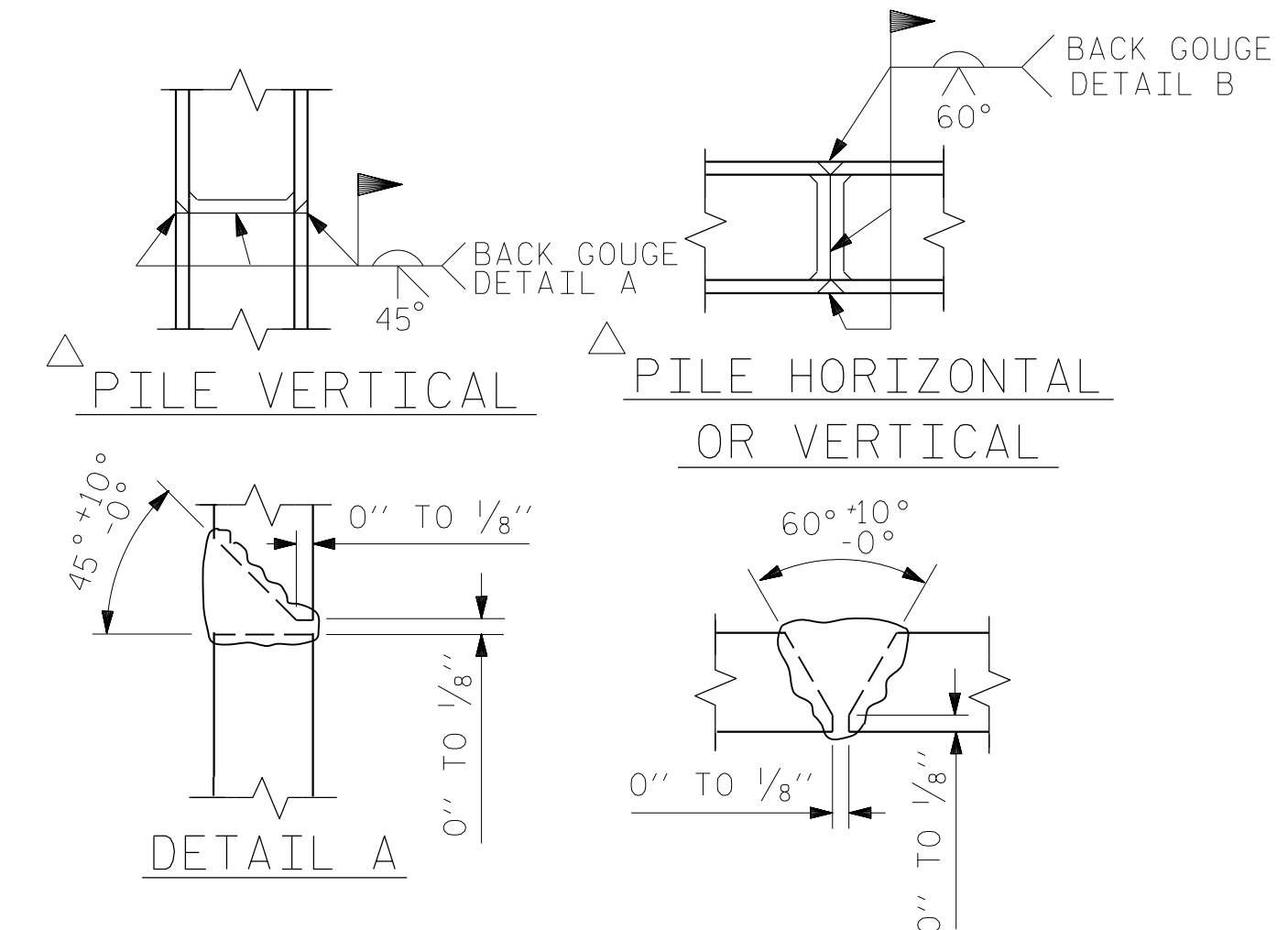


BAGGED STONE AND PIPE SHALL BE PLACED IMMEDIATELY AFTER COMPLETION OF END BENT EXCAVATION. PIPE MAY BE EITHER CONCRETE, CORRUGATED STEEL, CORRUGATED ALUMINUM ALLOY, OR CORRUGATED PLASTIC. PERFORATED PIPE WILL NOT BE ALLOWED.

BAGGED STONE SHALL REMAIN IN PLACE UNTIL THE ENGINEER DIRECTS THAT IT BE REMOVED. THE CONTRACTOR SHALL REMOVE AND DISPOSE OF SILT ACCUMULATIONS AT BAGGED STONE WHEN SO DIRECTED BY THE ENGINEER. BAGS SHALL BE REMOVED AND REPLACED WHENEVER THE ENGINEER DETERMINES THAT THEY HAVE DETERIORATED AND LOST THEIR EFFECTIVENESS.

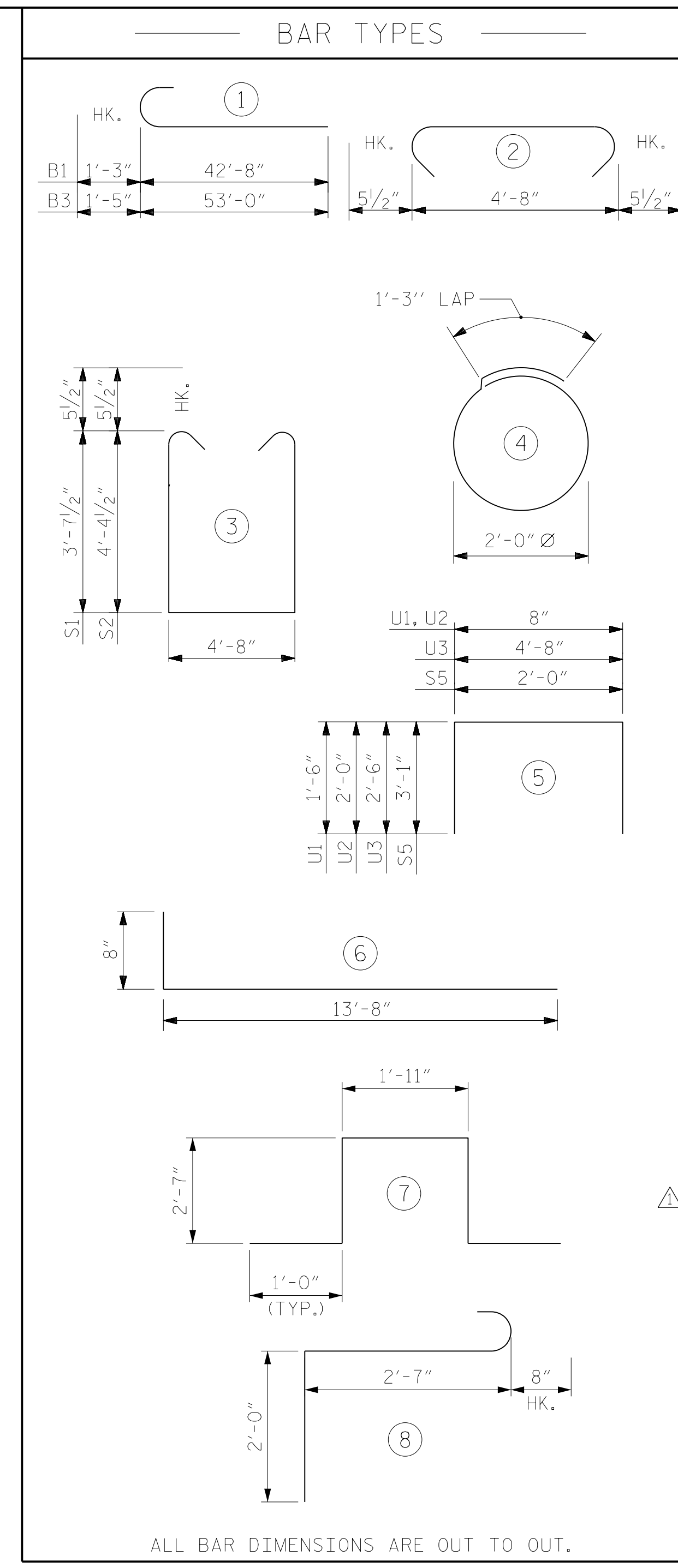
NO SEPARATE PAYMENT WILL BE MADE FOR THIS WORK AND THE ENTIRE COST OF THIS WORK SHALL BE INCLUDED IN THE UNIT CONTRACT PRICE BID FOR THE SEVERAL PAY ITEMS.

**TEMPORARY DRAINAGE AT END BENT**



POSITION OF PILE DURING WELDING.

**PILE SPLICE DETAILS**



ALL BAR DIMENSIONS ARE OUT TO OUT.

BILL OF MATERIAL					
END BENT NO. 2					
BAR NO.	NO.	SIZE	TYPE	LENGTH	WEIGHT
B1	6	#9	1	43'-11"	896
B2	6	#9	STR	16'-5"	335
B3	7	#10	1	54'-5"	1639
B4	20	#4	STR	40'-0"	534
B5	22	#4	STR	13'-3"	195
B6	12	#4	STR	13'-6"	108
B7	13	#4	STR	4'-8"	41
B8	4	#4	STR	9'-9"	26
H1	24	#4	6	14'-4"	230
K1	12	#4	STR	40'-0"	321
K2	12	#4	STR	13'-5"	108
K3	4	#4	STR	3'-10"	10
S1	52	#5	3	12'-10"	696
S2	17	#5	3	14'-4"	254
S3	69	#5	2	5'-7"	402
S4	12	#4	4	7'-7"	61
S5	24	#4	5	8'-2"	131
S6	3	#6	7	9'-1"	41
S7	3	#6	8	5'-3"	24
U1	40	#4	5	3'-8"	98
U2	5	#4	5	4'-8"	16
U3	16	#4	5	9'-8"	103
V1	80	#5	STR	9'-0"	751
V2	46	#5	STR	11'-1"	532

REINFORCING STEEL 7,552 LBS.  
CLASS A CONCRETE

POUR #1  
CAP AND LOWER PART OF WINGS 42.0 C.Y.

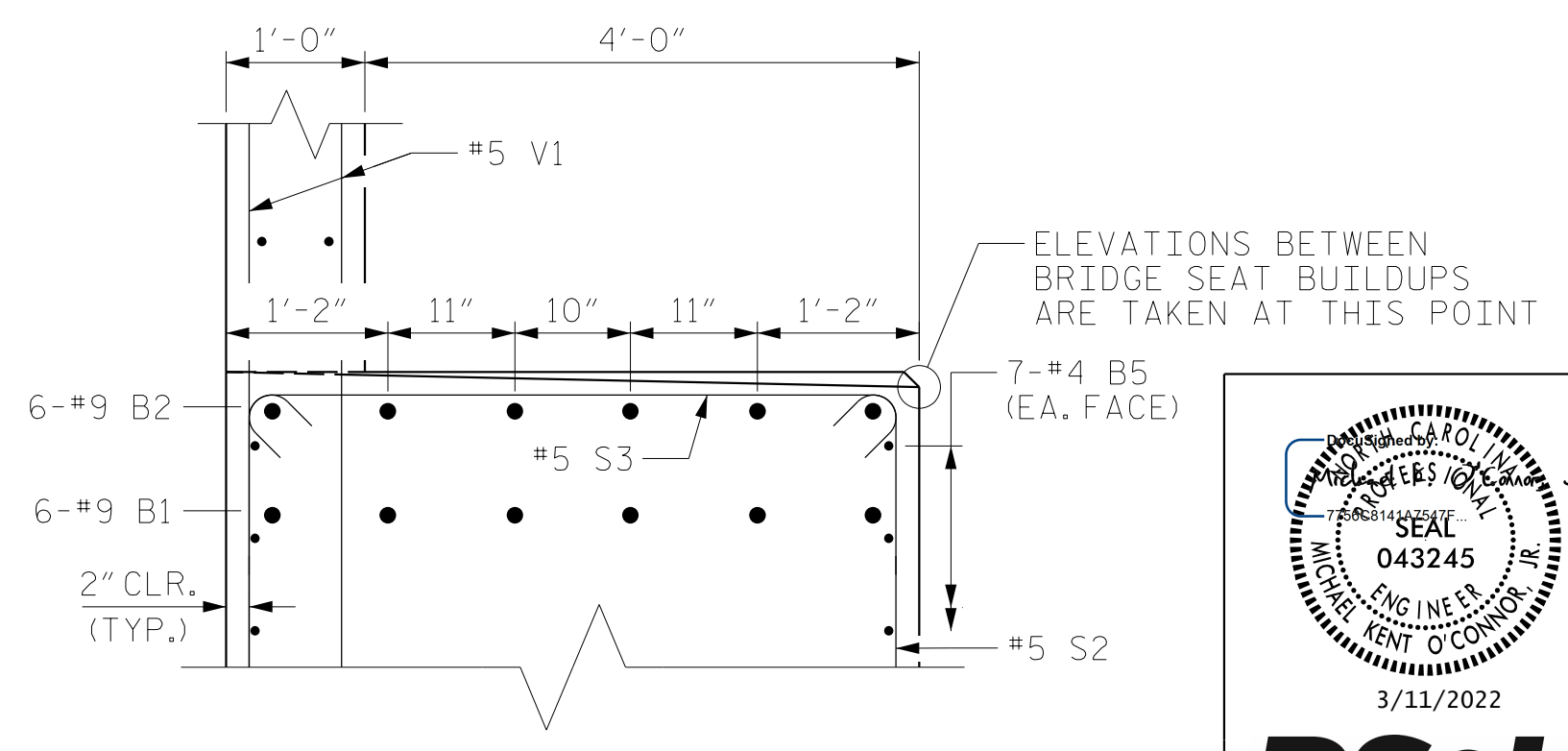
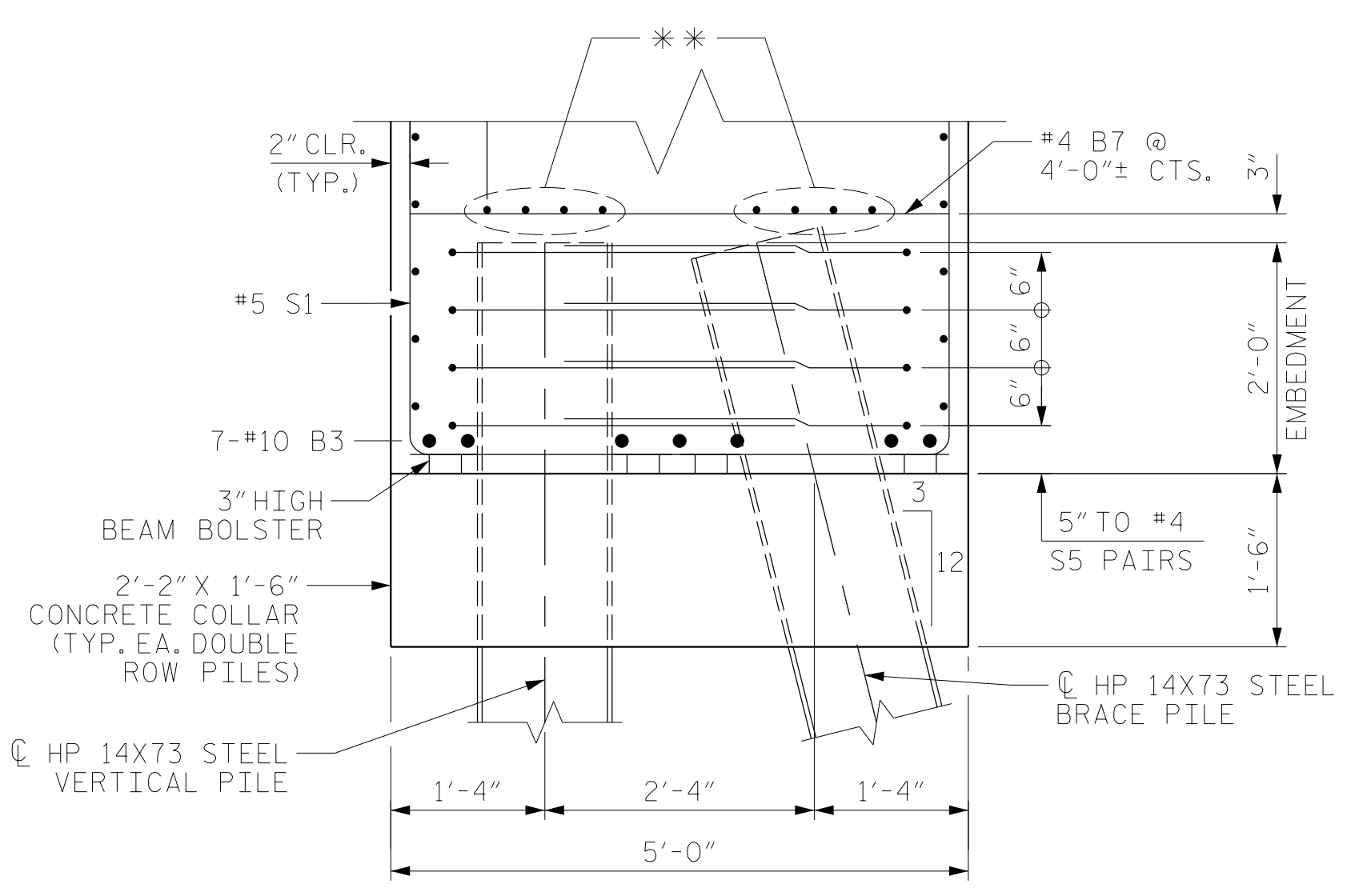
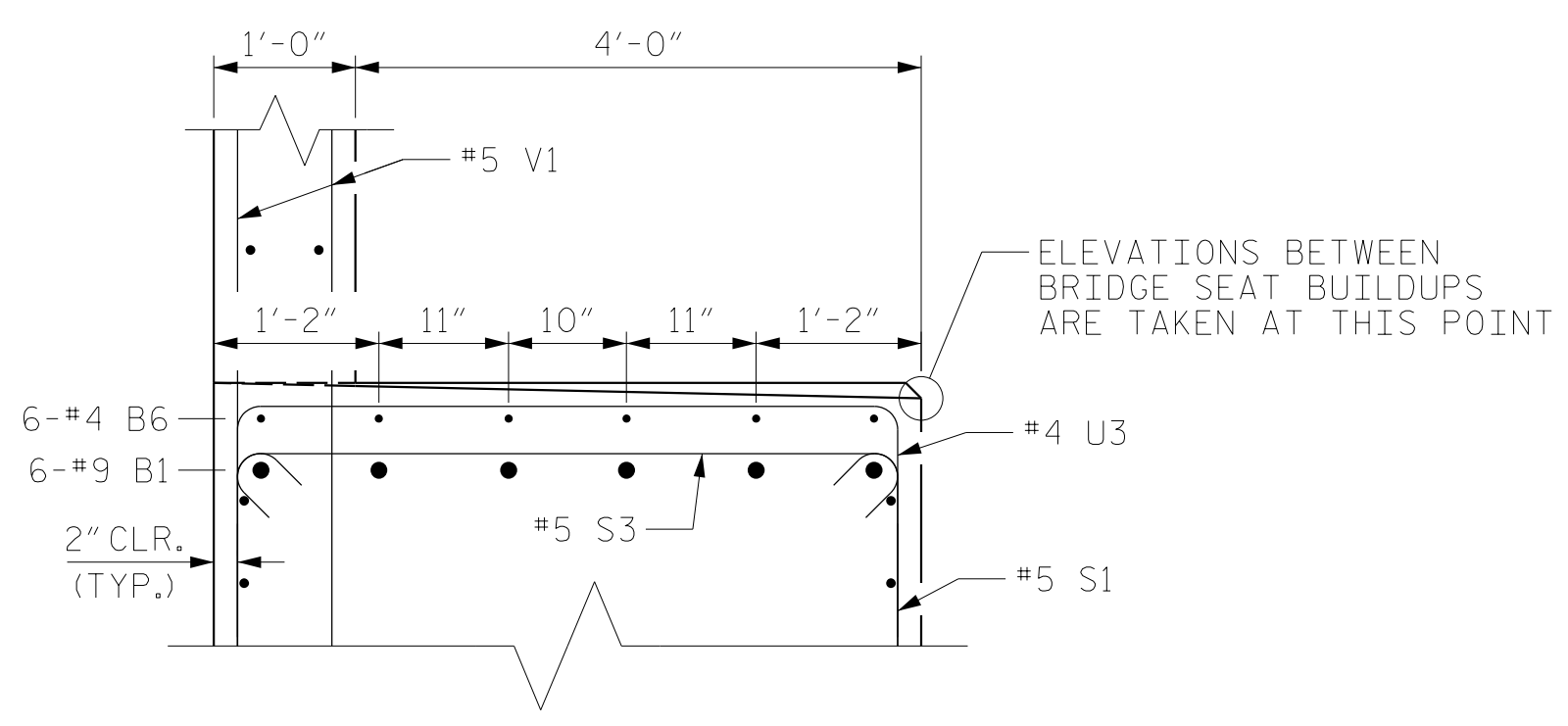
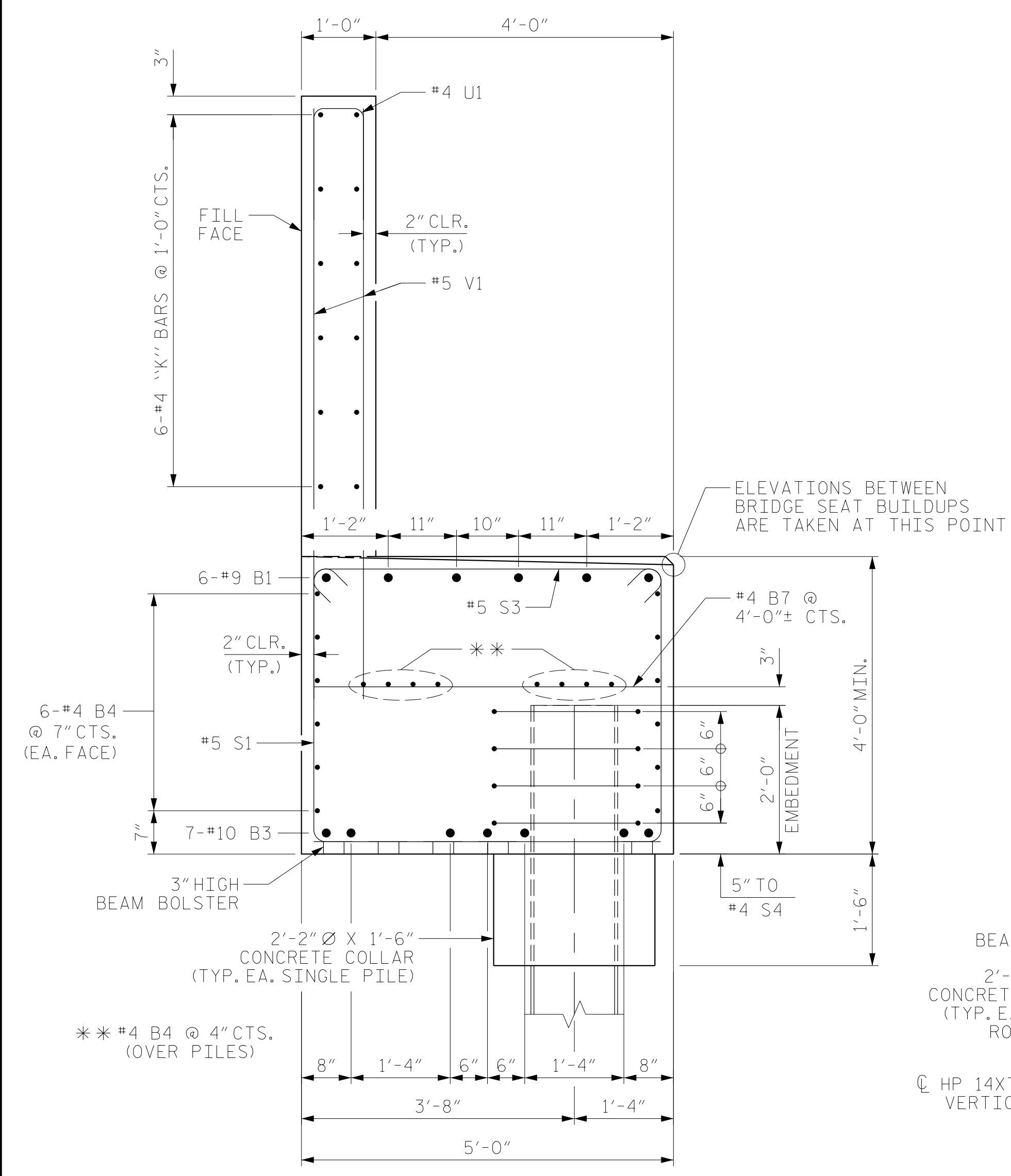
POUR #2  
UPPER PART OF WINGS AND BACKWALL 14.4 C.Y.

TOTAL CLASS A CONCRETE 56.4 C.Y.

HP 14 X 73 STEEL PILES NO. 10 700.0 LIN. FT.

PILE DRIVING EQUIPMENT SETUP FOR HP 14X73 STEEL PILES NO. 10

PILE REDRIVES (FOR ONE END BENT) NO. 5



PROJECT NO. U-5798A  
CUMBERLAND COUNTY  
STATION: 76+80.00 -L-

SHEET 3 OF 3

RS&H Architects-Engineers-Planners, Inc.

8521 Six Forks Road, Suite 400  
919-926-4100 FAX 919-846-9080  
www.rsandh.com  
North Carolina License No. 50737-50463-1-C&E

STATE OF NORTH CAROLINA  
DEPARTMENT OF TRANSPORTATION  
RALEIGH  
SUBSTRUCTURE  
END BENT 2  
DETAILS  
LEFT LANE

REVISIONS						SHEET NO.
NO.	BY:	DATE:	NO.	BY:	DATE:	S1-39
1	NSC	03/2022	3			TOTAL SHEETS 43
2			4			

DRAWN BY : NSC DATE : 03/2020  
CHECKED BY : MKO DATE : 04/2021  
DESIGN ENGINEER OF RECORD: RLB DATE : 09/2021

\*\* #4 B4 @ 4" CTS. (OVER PILES)

REVISD HP 14X73 STEEL PILE COUNT AND LENGTH

DOCUMENT NOT CONSIDERED FINAL UNLESS ALL SIGNATURES COMPLETED