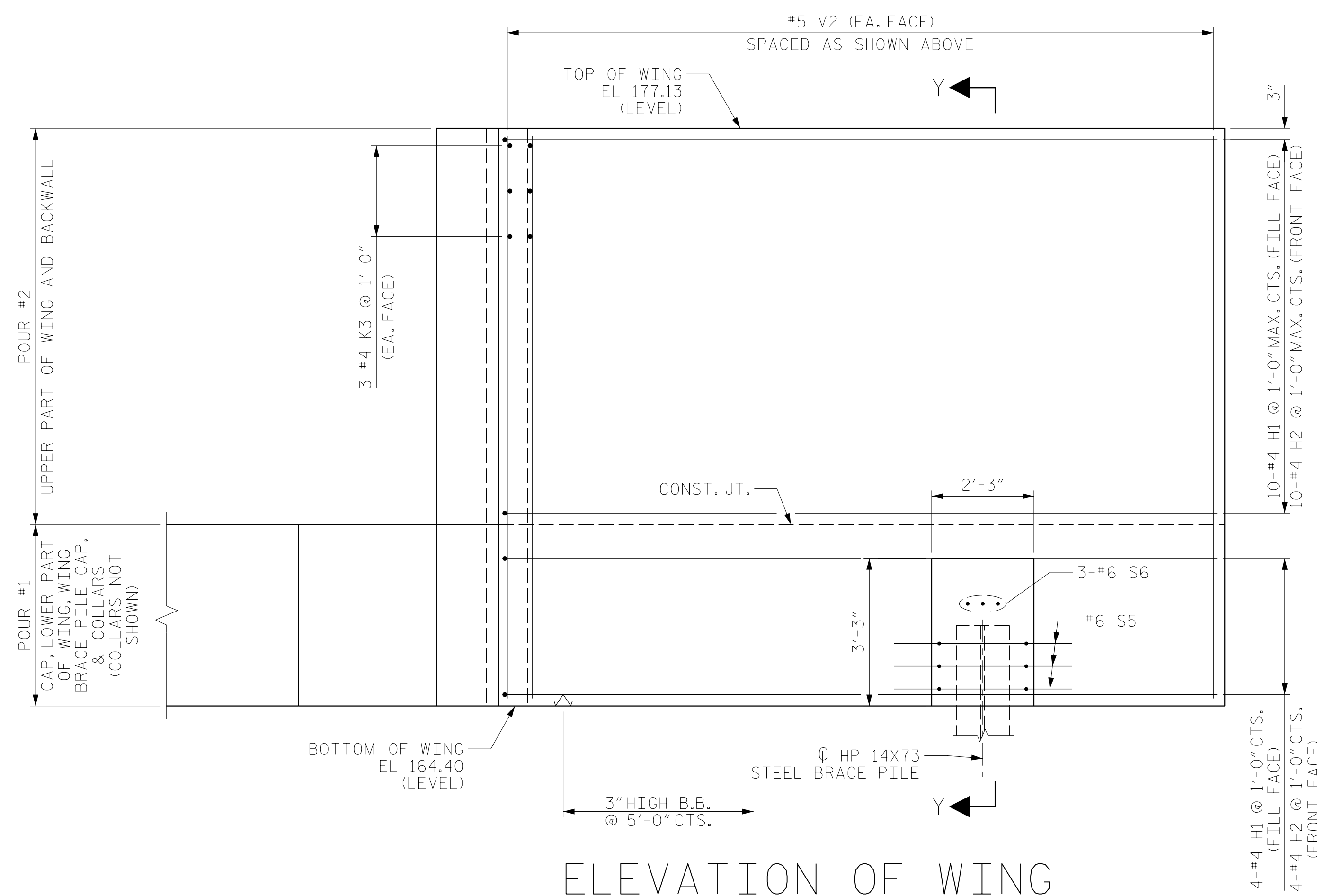
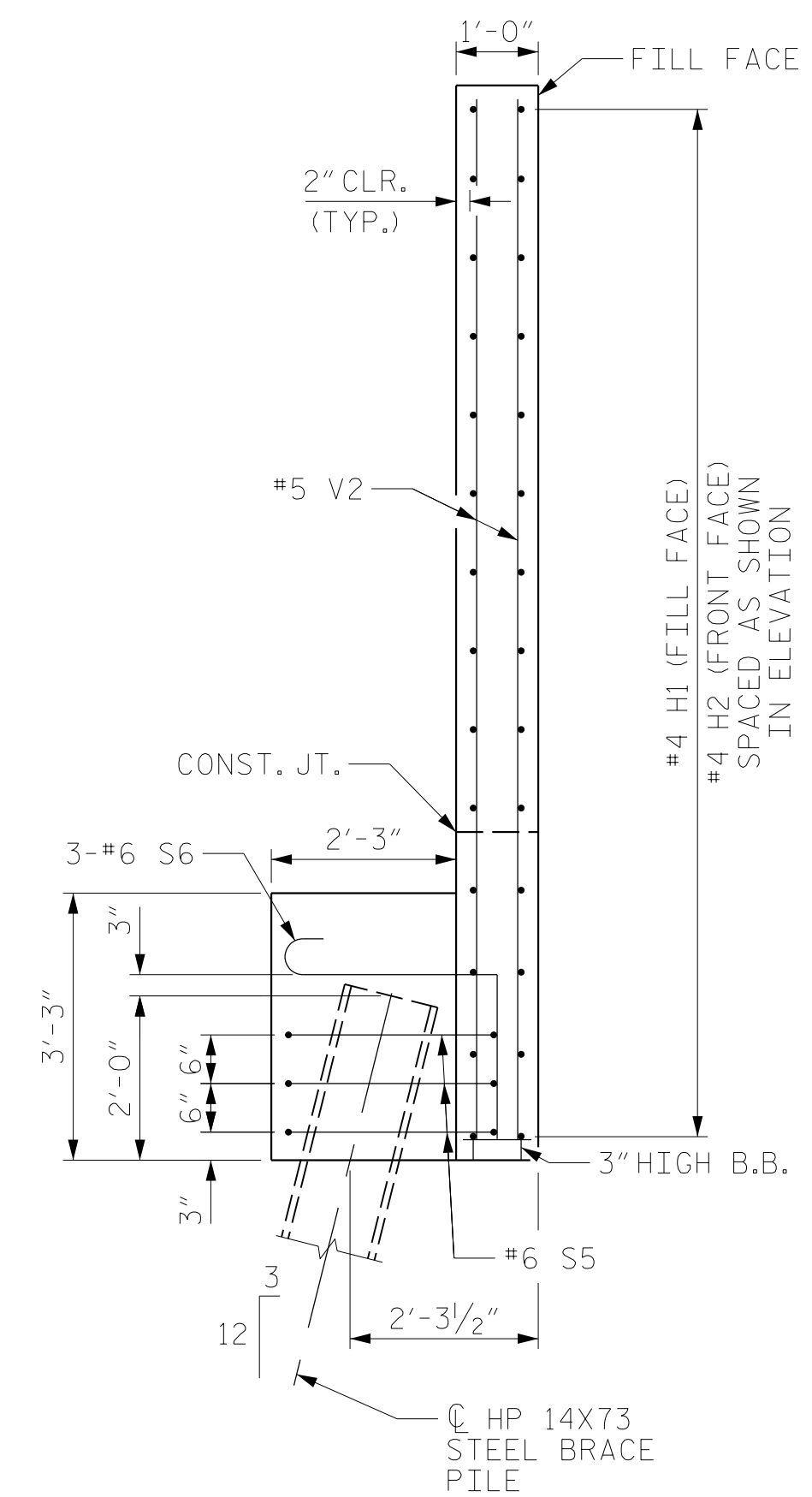


PLAN OF WING



ELEVATION OF WING



SECTION Y-Y

PROJECT NO. U-5798A
CUMBERLAND COUNTY
 STATION: 76+80.00 -L-

SHEET 2 OF 3



STATE OF NORTH CAROLINA
 DEPARTMENT OF TRANSPORTATION
 RALEIGH
 SUBSTRUCTURE
 END BENT 1
 WING WALL DETAILS
 LEFT LANE

REVISIONS						SHEET NO.
NO.	BY:	DATE:	NO.	BY:	DATE:	S1-32
1			3			TOTAL SHEETS
2			4			43

DRAWN BY : NSC DATE : 03/2020
 CHECKED BY : MKO DATE : 04/2021
 DESIGN ENGINEER OF RECORD: RLB DATE : 09/2021

DOCUMENT NOT CONSIDERED
 FINAL UNLESS ALL
 SIGNATURES COMPLETED