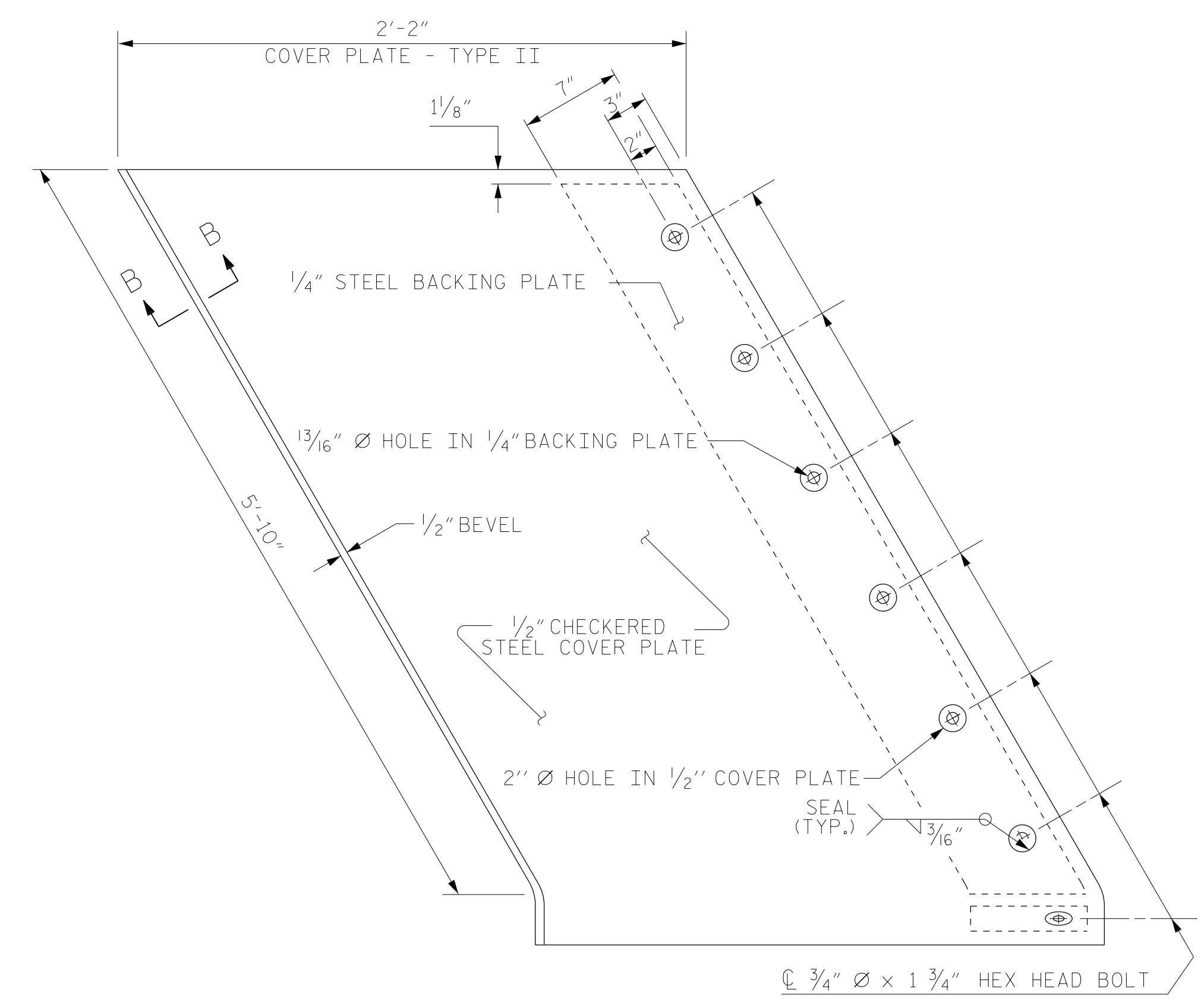
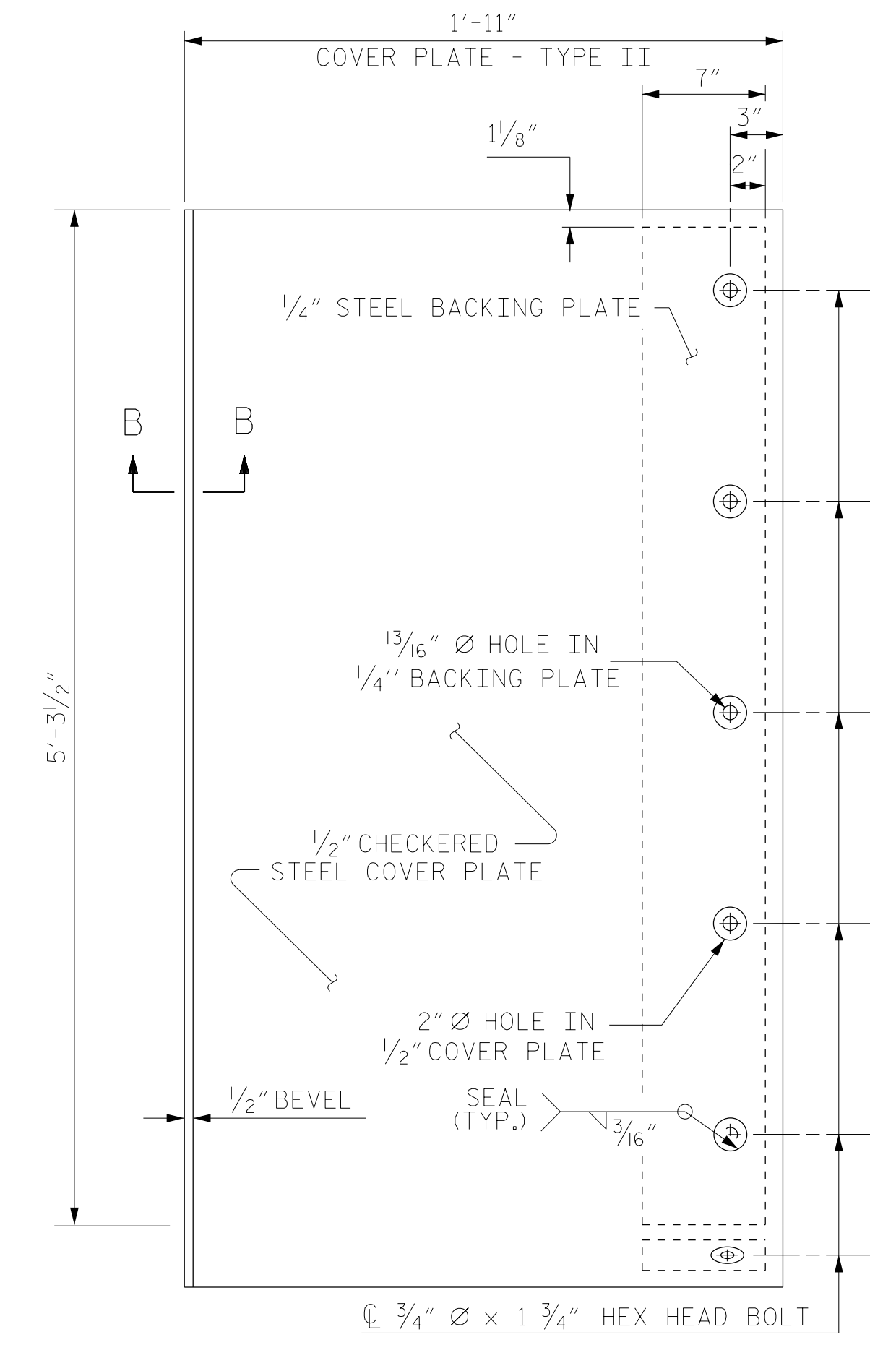


END VIEW  
(NORMAL TO SIDEWALK)

\* CONCRETE RECESS DIMENSIONS:  
 13/16" FOR THE SIDE OF THE JOINT HAVING THE 1/2" COVER PLATE WITH A 1/4" BACKING PLATE.  
 9/16" FOR THE SIDE OF THE JOINT HAVING ONLY THE 1/2" COVER PLATE.

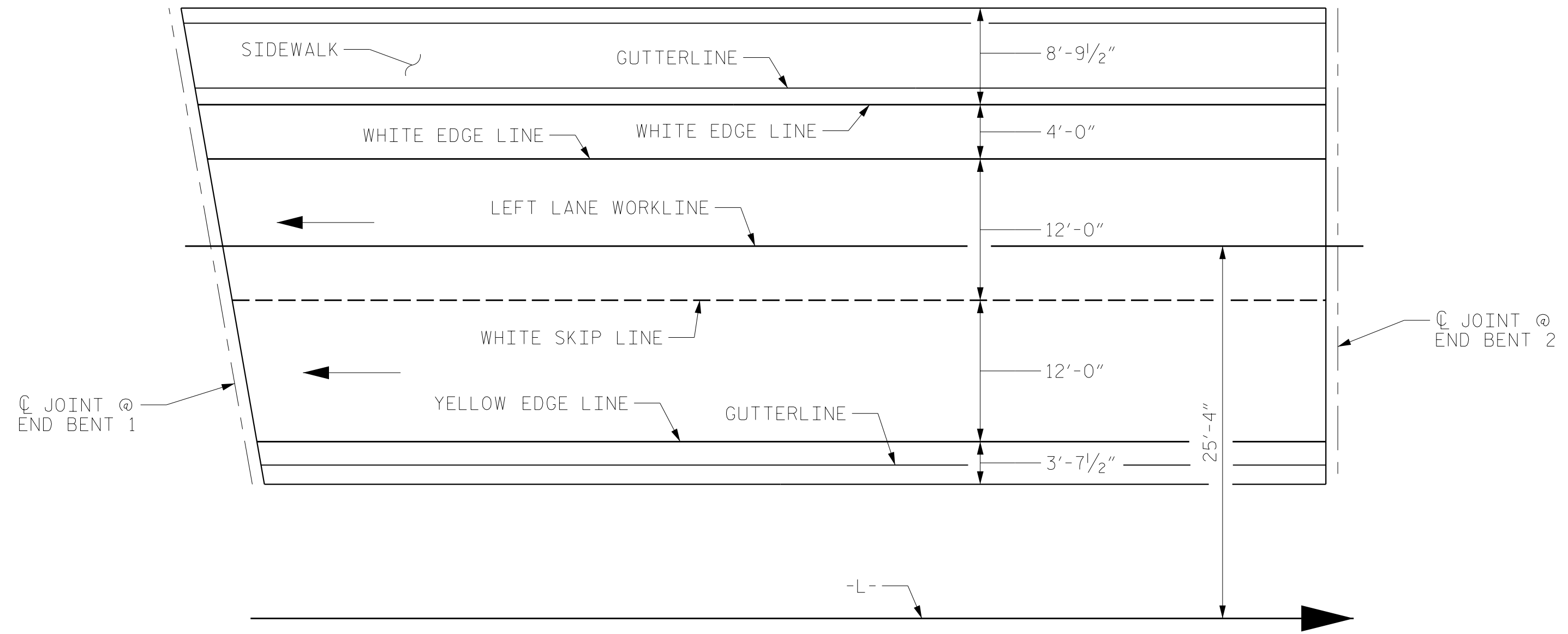


TYPE II - PLAN VIEW  
END BENT 1

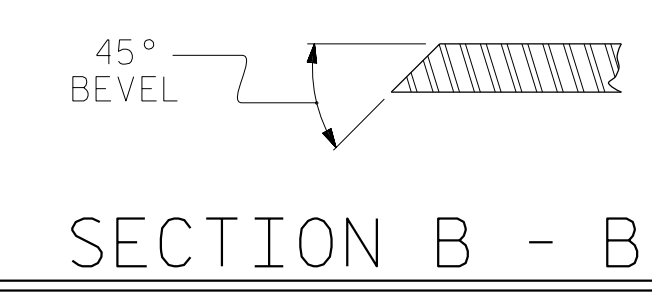


TYPE II - PLAN VIEW  
END BENT 2

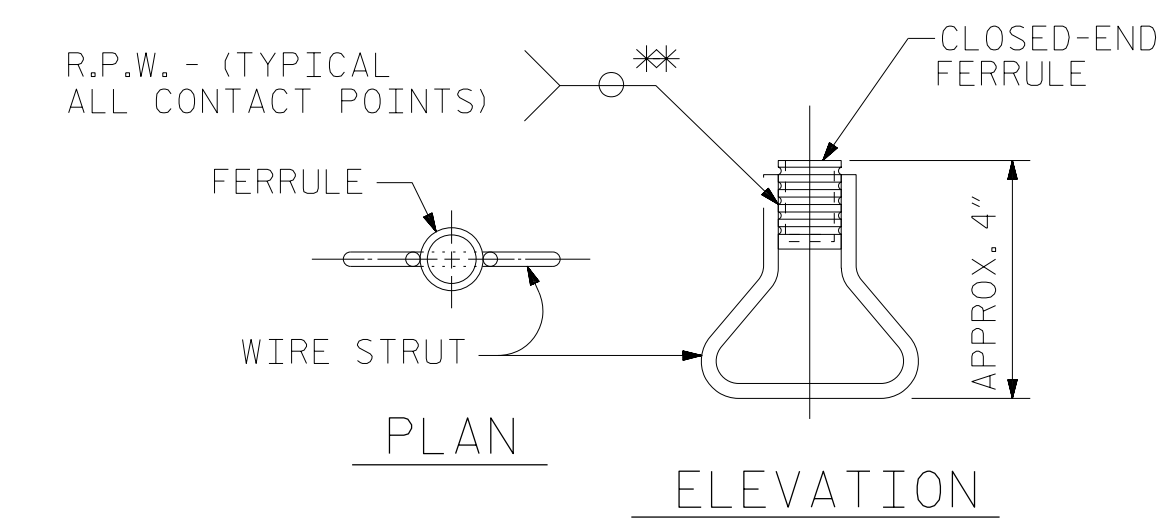
COVER PLATE DETAILS



PAVEMENT MARKING ALIGNMENT



SECTION B - B



CONCRETE INSERT

PROJECT NO. U-5798A  
 CUMBERLAND COUNTY  
 STATION: 76+80.00 -L-

SHEET 4 OF 4

STATE OF NORTH CAROLINA  
 DEPARTMENT OF TRANSPORTATION  
 RALEIGH  
 STANDARD  
 EXPANSION JOINT  
 SEAL DETAILS  
 FOR SIDEWALK  
 LEFT LANE

REVISIONS						SHEET NO.
NO.	BY:	DATE:	NO.	BY:	DATE:	S1-29
1			3			TOTAL SHEETS
2			4			43

ASSEMBLED BY : NSC	DATE : 02/2020
CHECKED BY : MRA	DATE : 04/2020
DRAWN BY : REK 10/87	REV. 5/1/06 TLA/GM
CHECKED BY : CRK 1/88	REV. 10/1/11 MAA/GM
	REV. 12/17 MAA/THC

DOCUMENT NOT CONSIDERED  
 FINAL UNLESS ALL  
 SIGNATURES COMPLETED