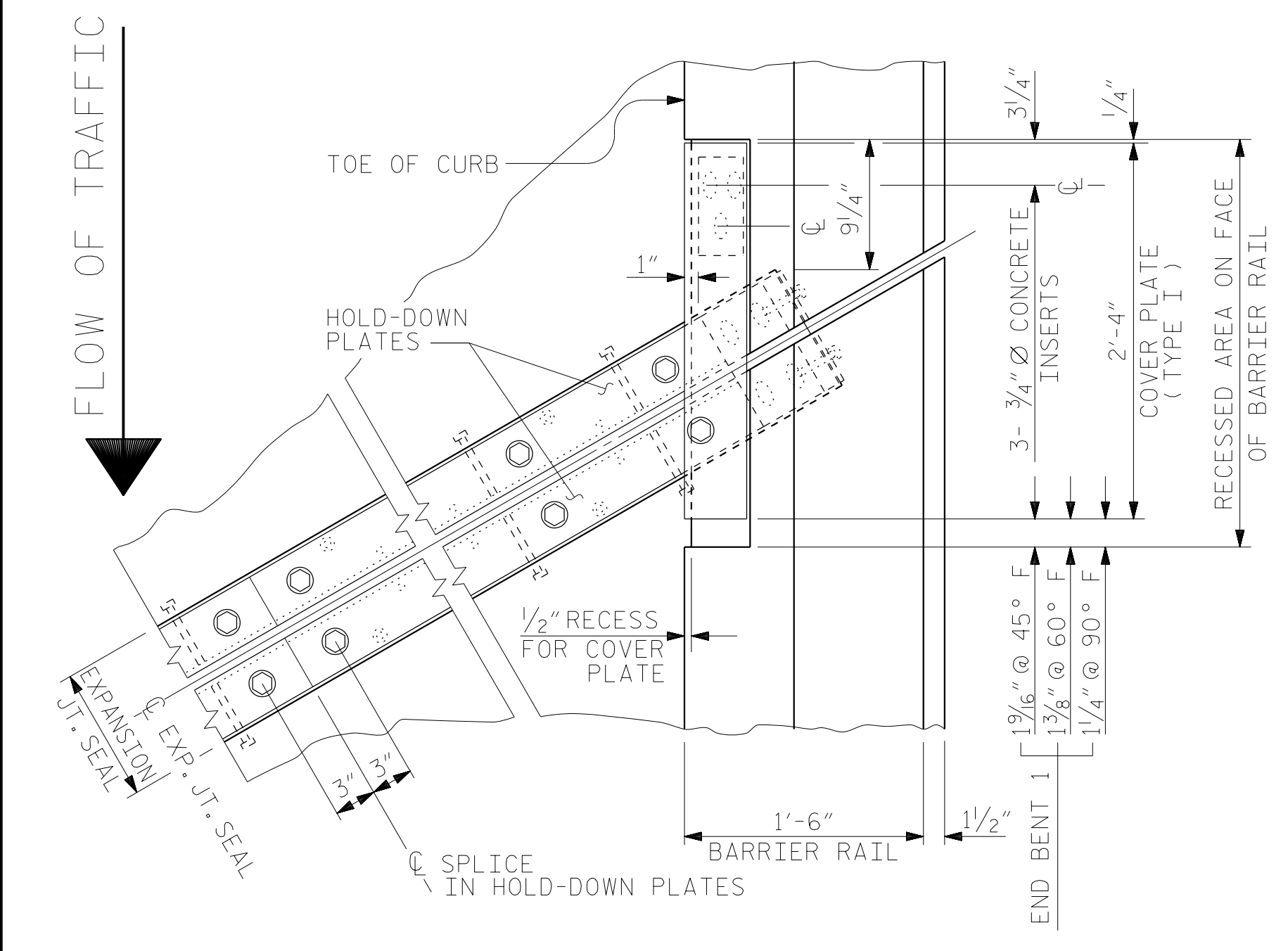
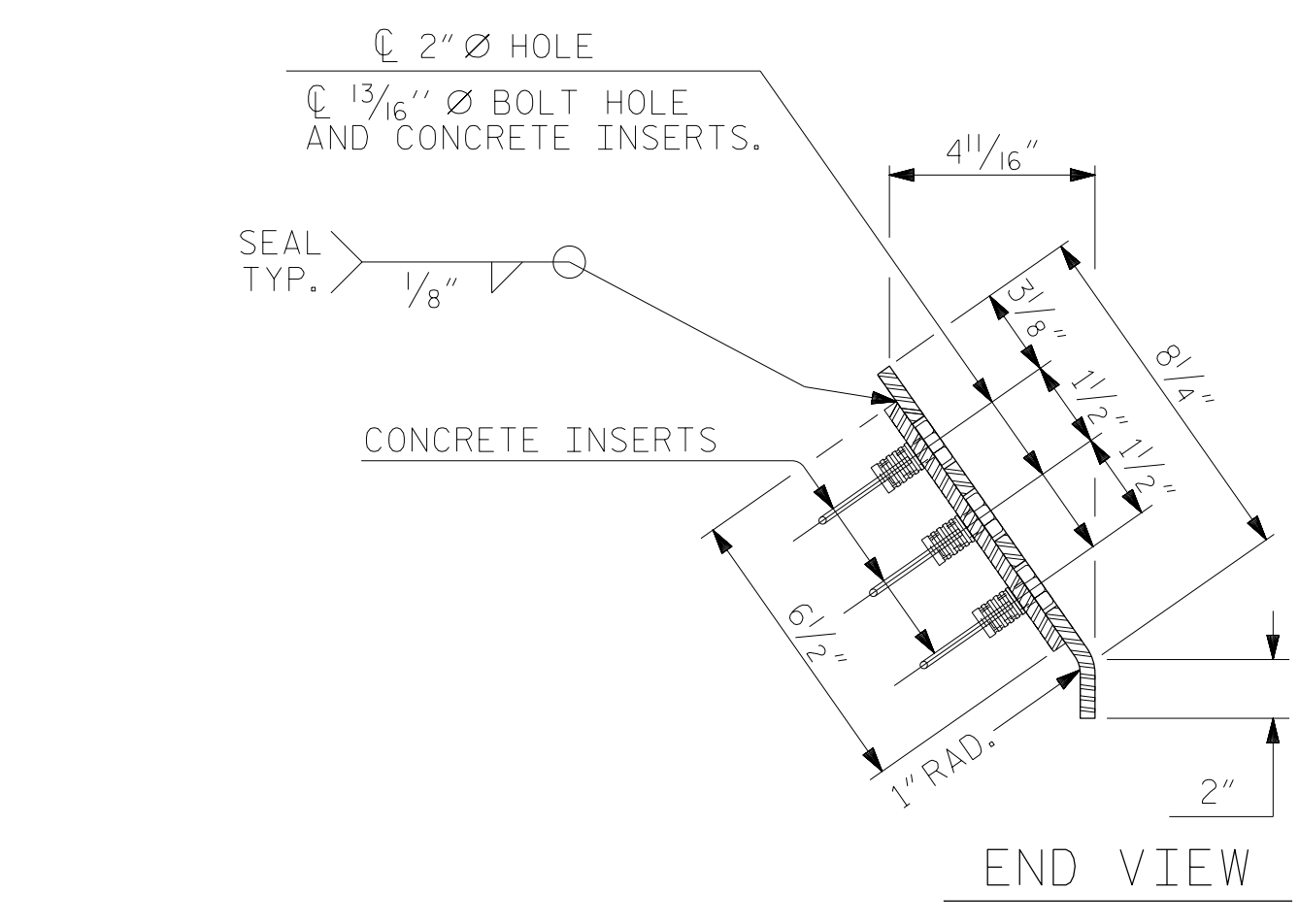


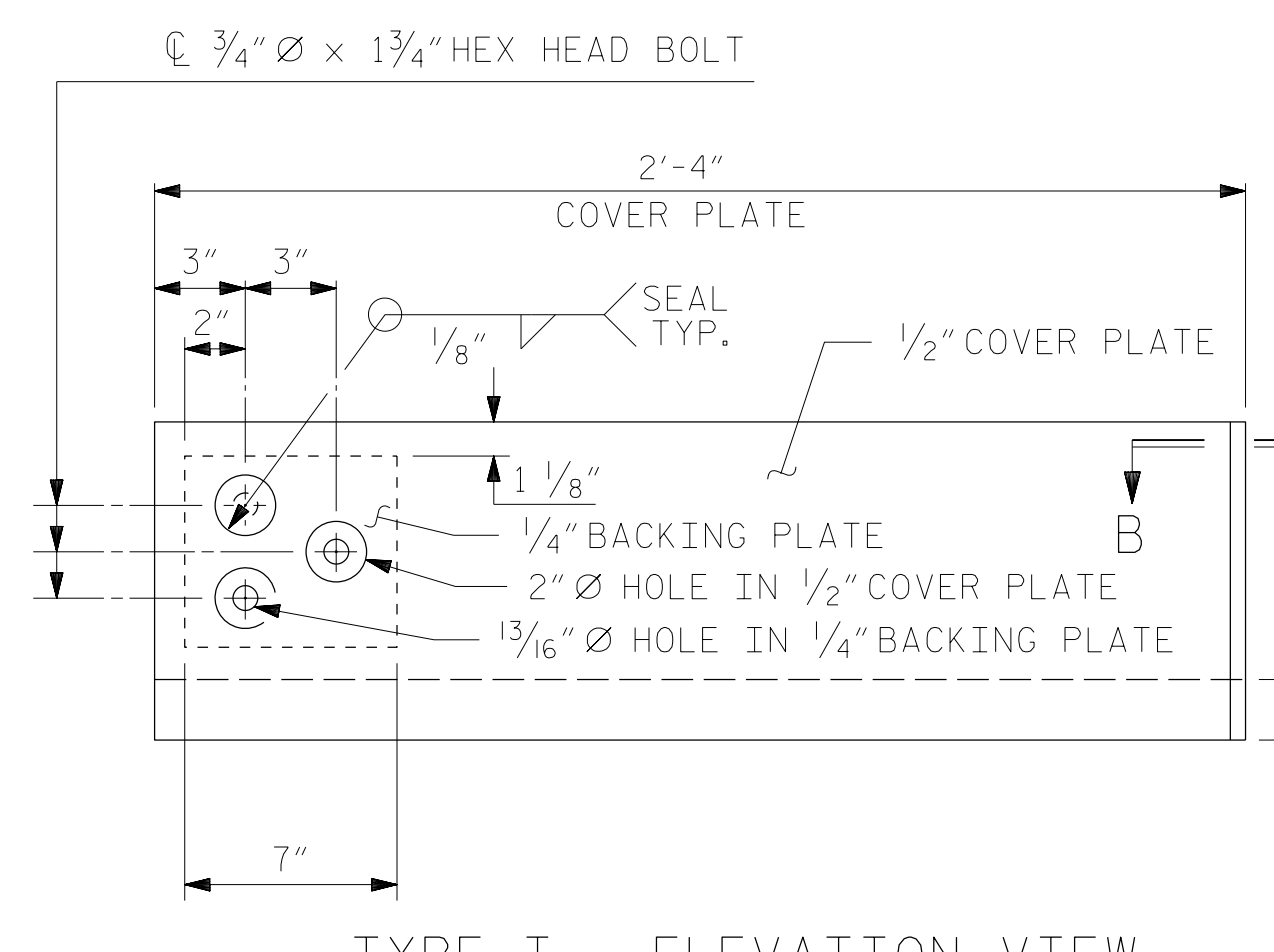
SECTION THRU RAIL NORMAL TO JOINT



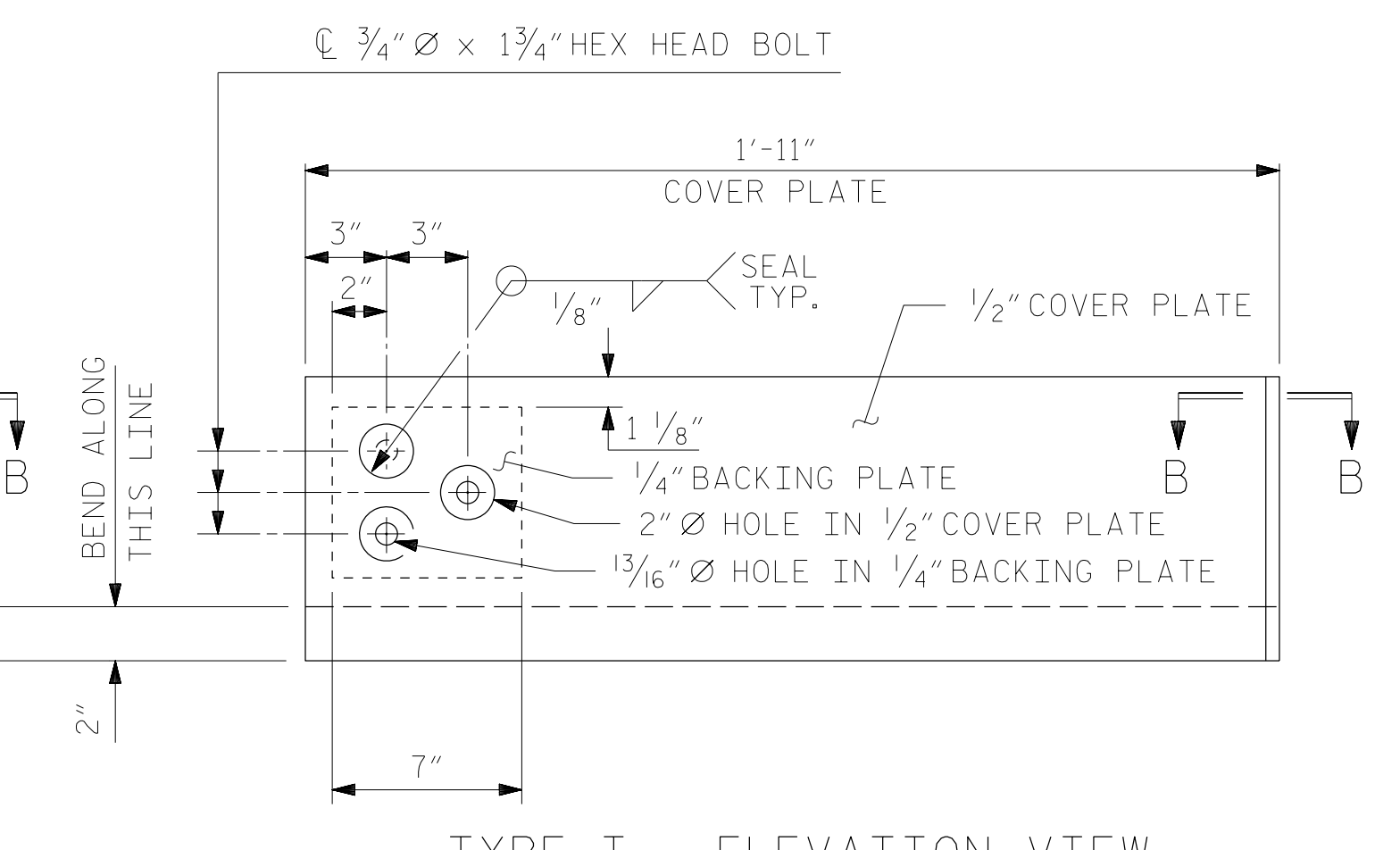
PLAN OF EXPANSION JOINT SEAL - END BENT 1



END VIEW

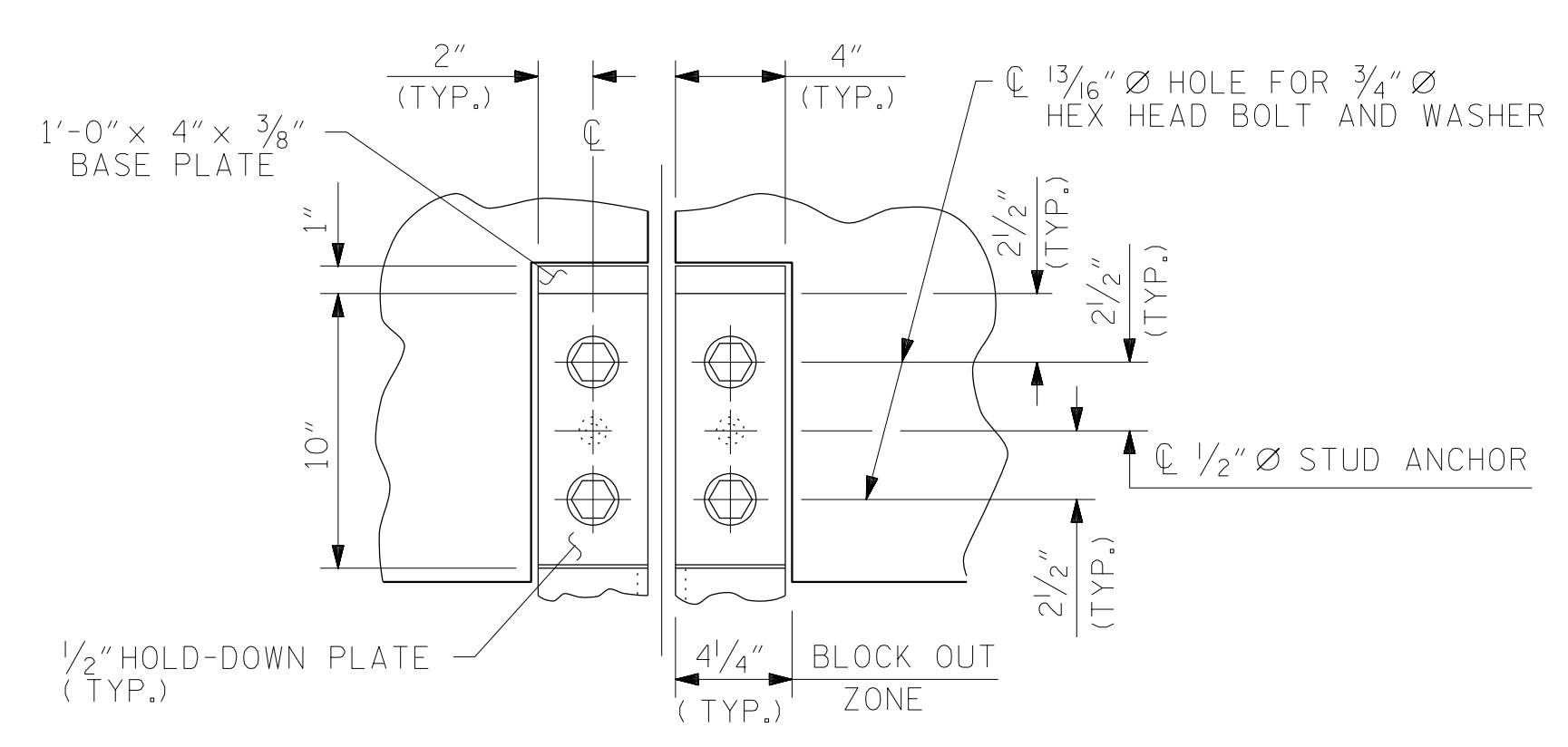


TYPE I - ELEVATION VIEW @ END BENT 1

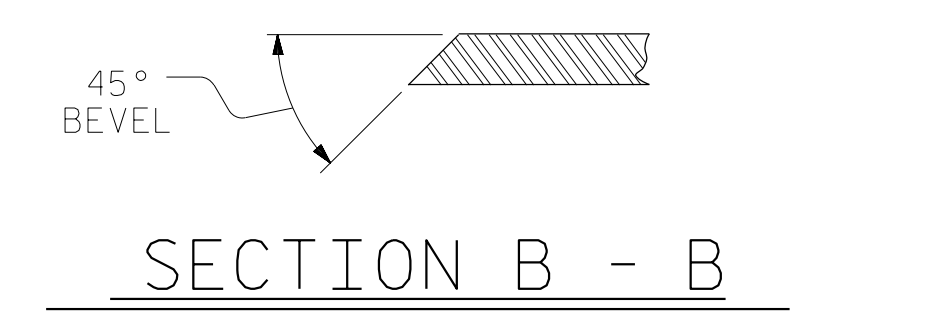


TYPE I - ELEVATION VIEW @ END BENT 2

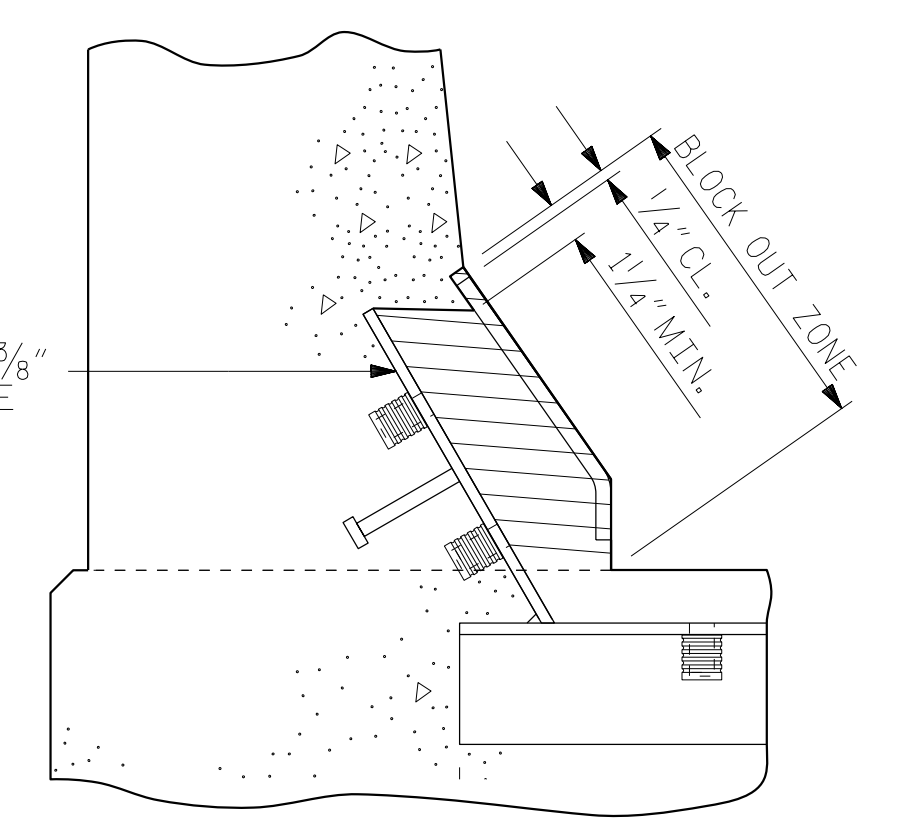
COVER PLATE DETAILS



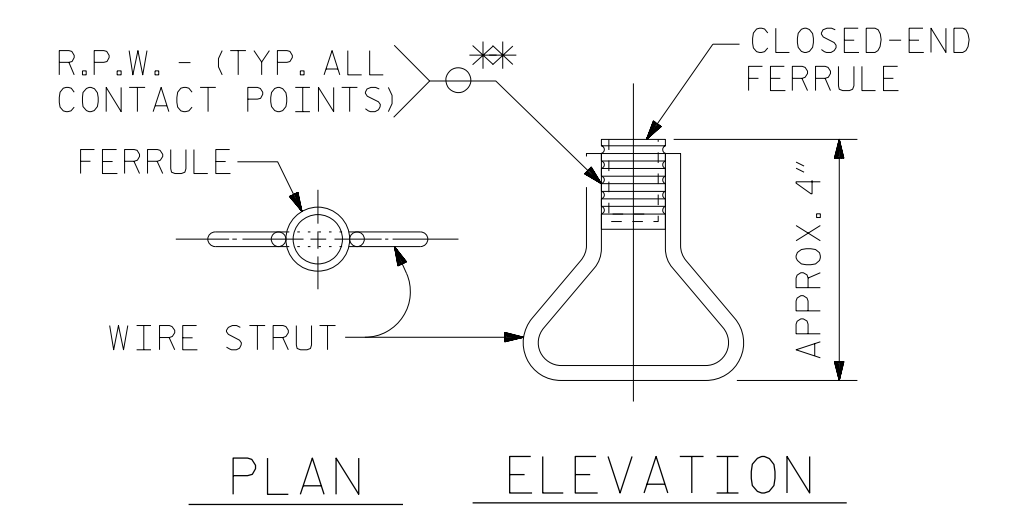
SECTION A - A



SECTION B - B

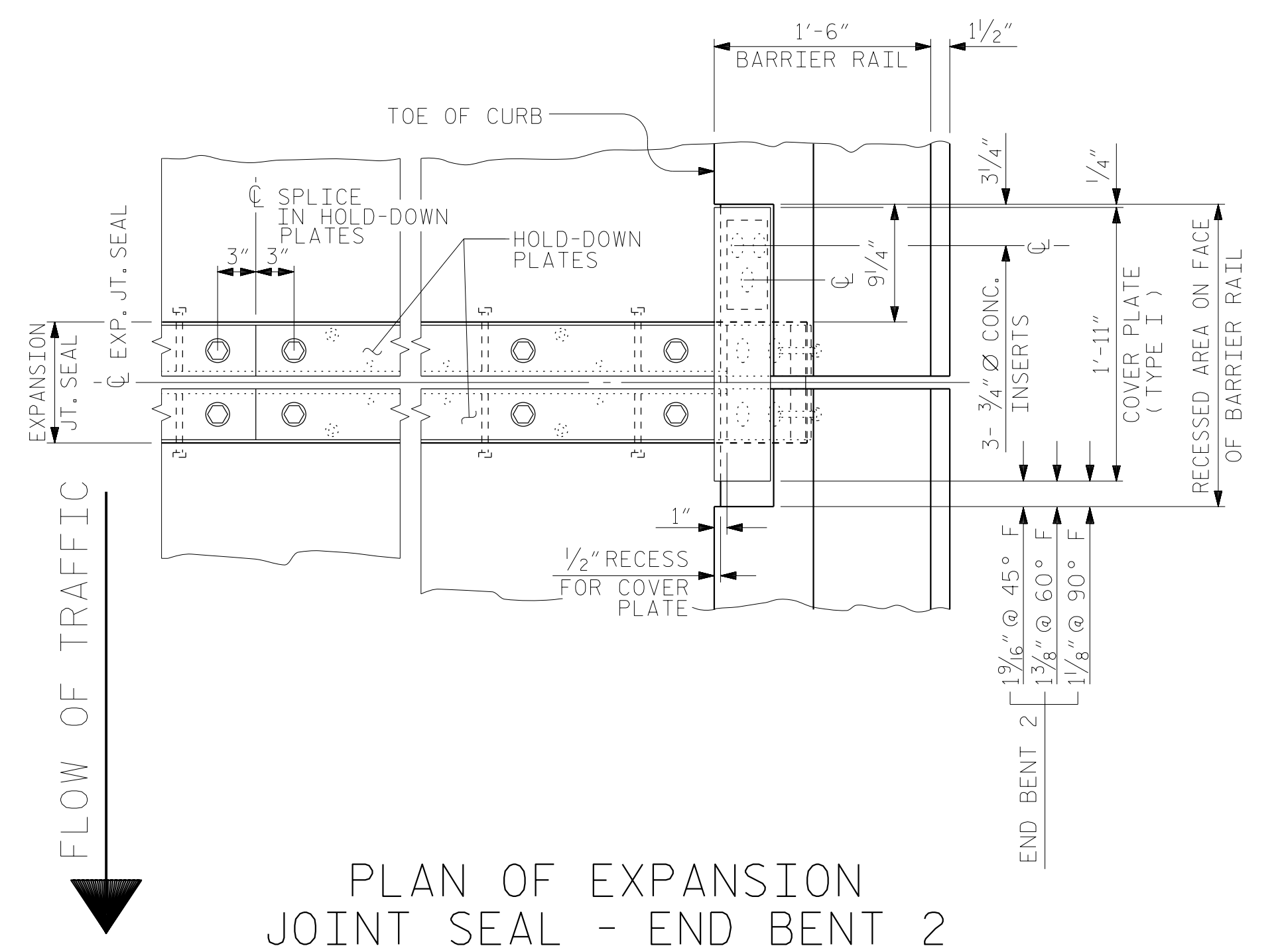


BLOCK OUT DETAIL
SEE "SECTION A - A" FOR OTHER DETAILS.



CONCRETE INSERT

** EACH WELDED ATTACHMENT OF WIRE TO FERRULE SHALL DEVELOP THE TENSILE STRENGTH OF THE WIRE.



PLAN OF EXPANSION JOINT SEAL - END BENT 2

PROJECT NO. U-5798A
CUMBERLAND COUNTY
STATION: 76+80.00 -L-

SHEET 2 OF 4



RS&H Architects-Engineers-Planners, Inc.
8521 Six Forks Road, Suite 400
919-926-4100 FAX 919-846-9080
www.rsandh.com
North Carolina License No. 00793-F-0403-C-02

STATE OF NORTH CAROLINA
DEPARTMENT OF TRANSPORTATION
RALEIGH
EXPANSION JOINT SEAL DETAILS
FOR BARRIER RAIL
LEFT LANE

REVISIONS						SHEET NO.
NO.	BY:	DATE:	NO.	BY:	DATE:	S1-27
1			3			TOTAL SHEETS
2			4			43

DRAWN BY : NSC DATE : 02/2020
CHECKED BY : MRA DATE : 04/2020
DESIGN ENGINEER OF RECORD: RLB DATE : 09/2021

DOCUMENT NOT CONSIDERED FINAL UNLESS ALL SIGNATURES COMPLETED