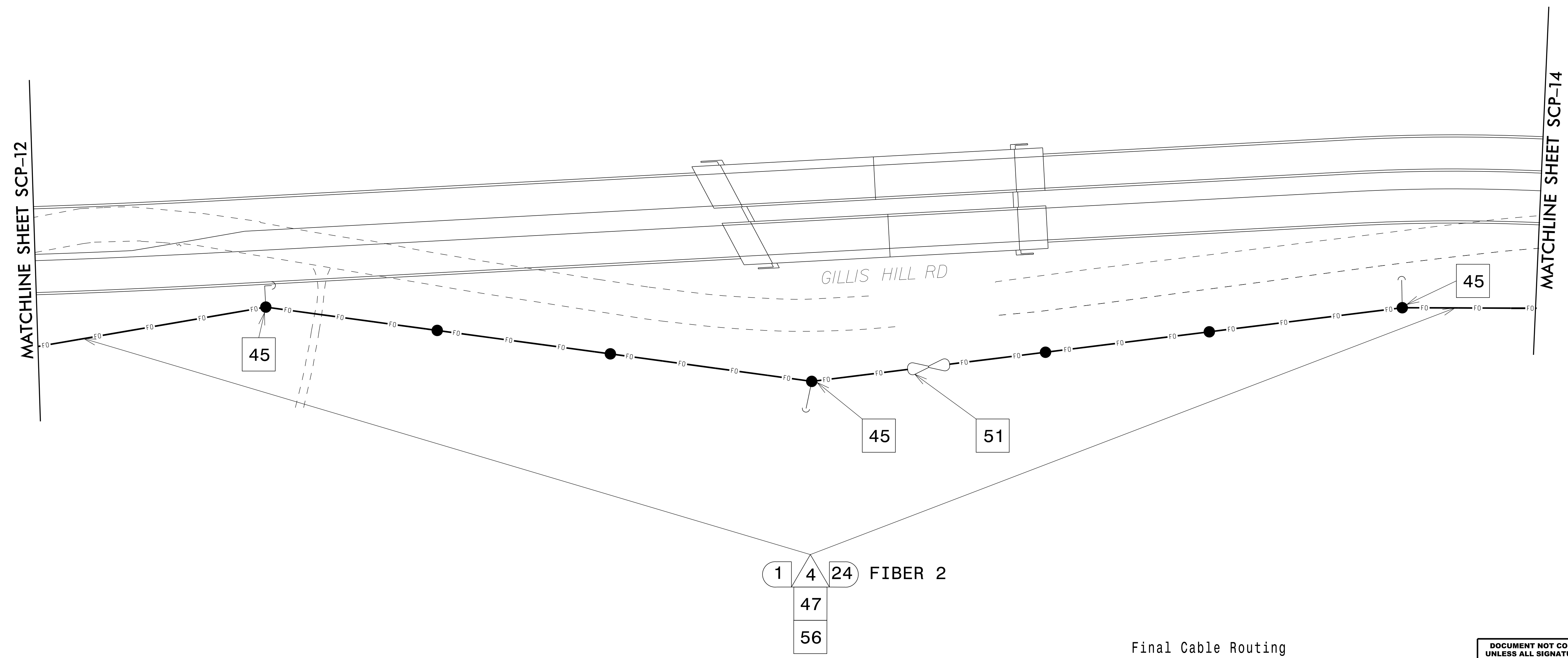


NOTES

1. FIVE (5) DAYS PRIOR TO BEGINNING WORK ON THE SIGNAL SYSTEM, CONTACT THE CITY OF FAYETTEVILLE TRAFFIC ENGINEER AT (910) 433-1660 TO ARRANGE FOR THE CITY TO PROGRAM THE NEW FIELD ETHERNET SWITCHES WITH THE NECESSARY NETWORK CONFIGURATION DATA, INCLUDING BUT NOT LIMITED TO: THE PROJECT IP ADDRESS, DEFAULT GATEWAY, SUBNET MASK AND VLAN ID INFORMATION. NOTIFY THE ENGINEER AFTER ALL WORK IS PERFORMED TO ENSURE THAT ALL FIBER CIRCUITS ARE FUNCTIONING PROPERLY. WORK IS NOT COMPLETE UNTIL THE SIGNAL SYSTEM IS BACK UP AND OPERATIONAL.
2. ALL NCDOT ATTACHMENT POINTS ARE 40" BELOW POWER, FRONT SIDE OF POLE, UNLESS OTHERWISE NOTED.
3. CONTRACTOR SHALL COMPLY WITH NESC GUIDELINES FOR INSTALLING NCDOT CABLES ON JOINT-USE POLES.
4. CONTRACTOR TO RECORD EXISTING SPLICE ARRANGEMENT FOR COMPARISON TO THE SUPPLIED SPLICE DETAILS. IF DISCREPANCIES EXIST, CONTACT THE ENGINEER TO DETERMINE HOW TO PROCEED WITH RESPLICING. PROVIDE AS-BUILT PLANS TO THE ENGINEER IF FINAL SPLICE ARRANGEMENT DIFFERS FROM THE SUPPLIED SPLICE DETAILS.



D:\100\Design\10n_Sheets\Final_Submittal\U-5798A\scp13.dgn 12/24/22 12:49:44



Final Cable Routing		DOCUMENT NOT CONSIDERED FINAL UNLESS ALL SIGNATURES COMPLETED							
	Prepared for the Office of: Gillis Hill Road Widening Communications Cable and Conduit Routing Plans Division 6 Cumberland County Fayetteville								
	PLAN DATE: January 2022 PREPARED BY: D. Drobny	REVIEWED BY: S.G. Haynie REVIEWED BY: V. Kaiser	SEAL 						
SCALE: 0 50 1"=50' 	<table border="1"> <thead> <tr> <th>REVISIONS</th> <th>INIT.</th> <th>DATE</th> </tr> </thead> <tbody> <tr> <td> </td> <td> </td> <td> </td> </tr> </tbody> </table>	REVISIONS	INIT.	DATE				Drawn by: <u>Steven G. Haynie</u> 1/5/2022 SIGNATURE _____ DATE _____ CADD File name: U5798A_sig_scp_13.dgn	
REVISIONS	INIT.	DATE							