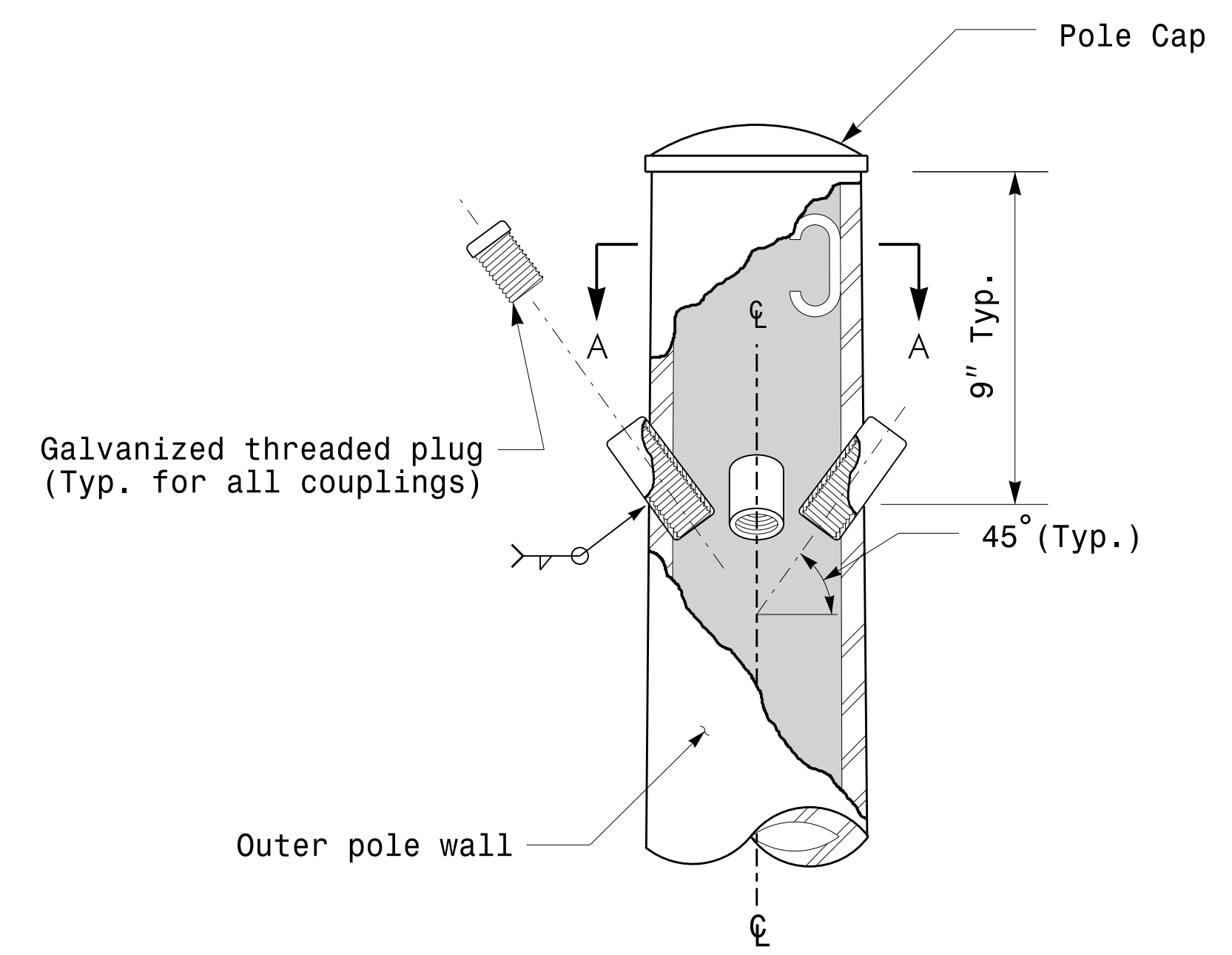
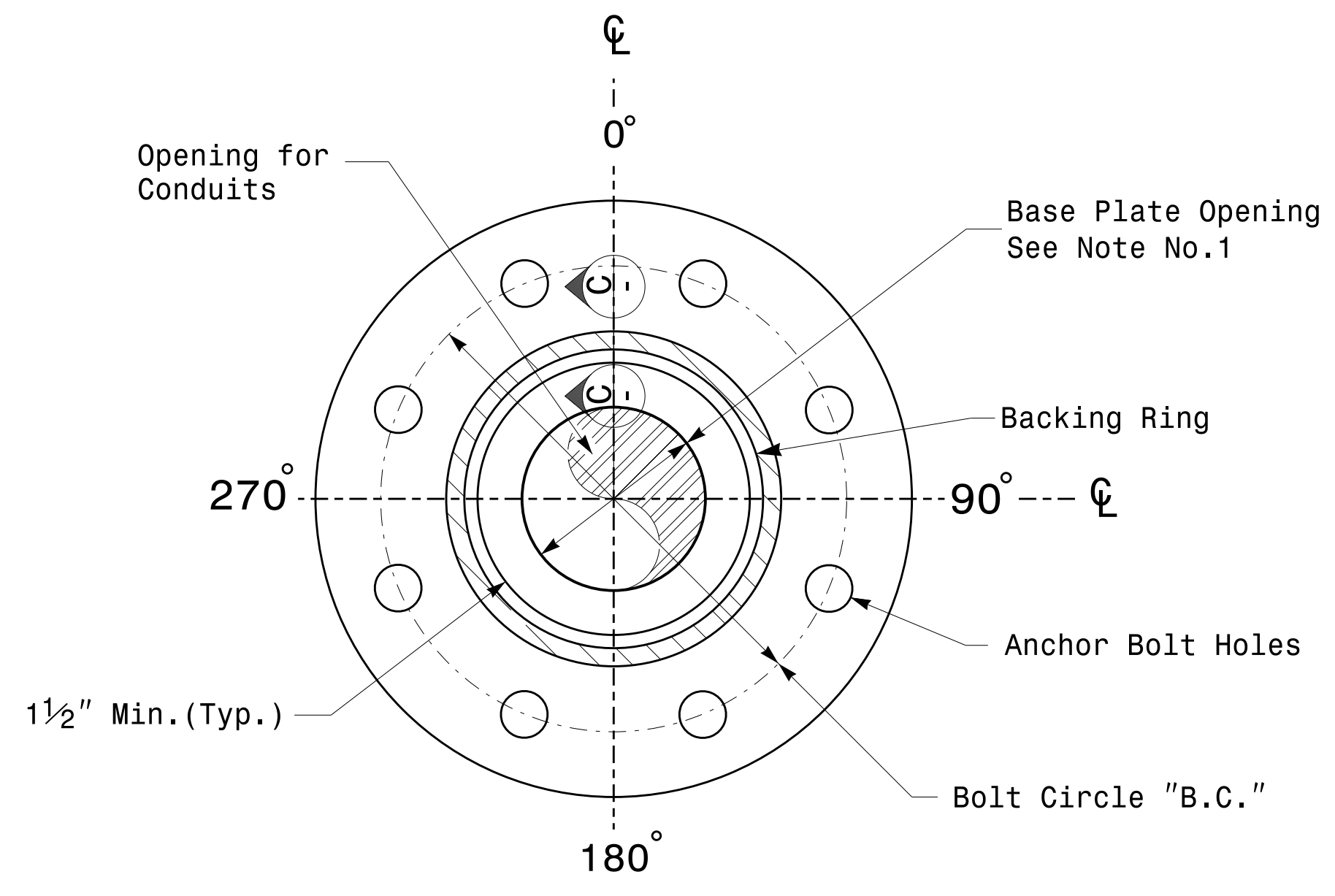


Note:
 1. Opening in pole base plate shall be equal to pole base inside diameter minus 3 1/2" but shall not be less than 8 1/2".

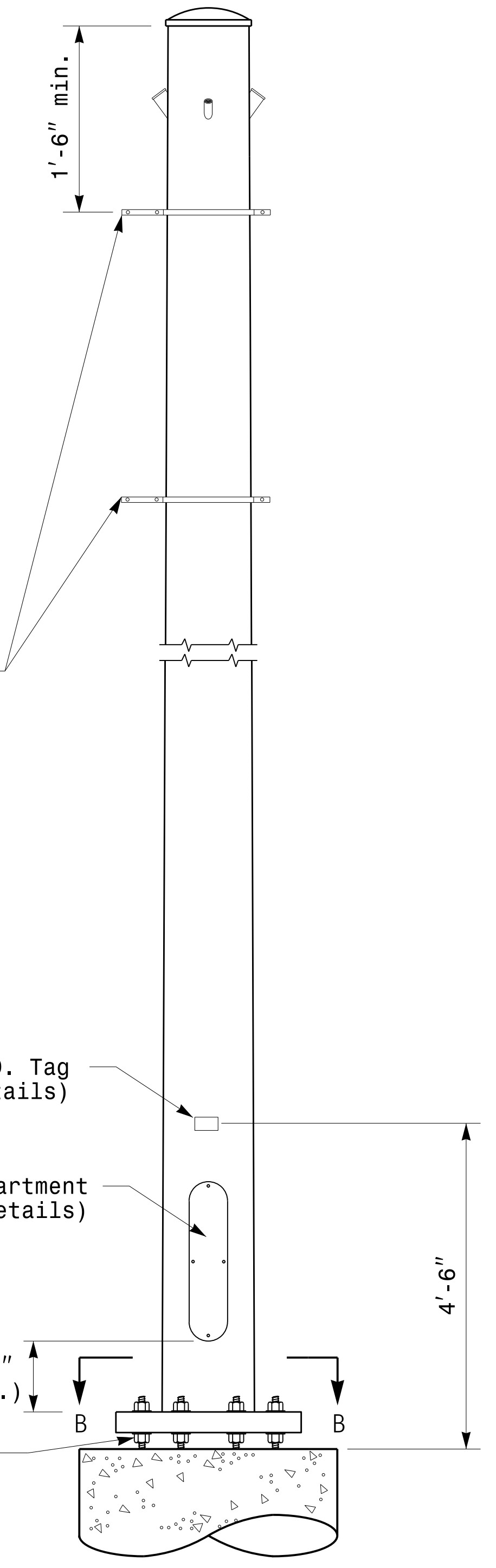


Cable Entrances at Top of Pole

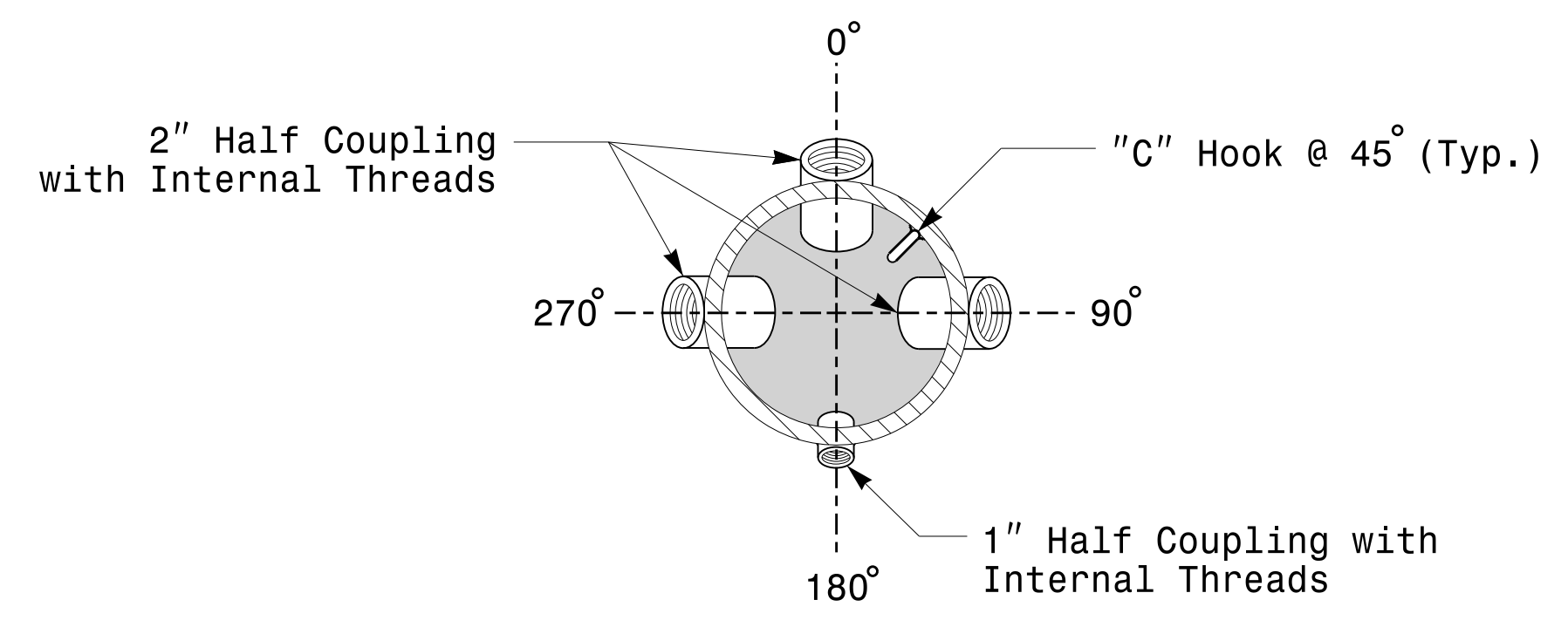


Section B-B
Pole Base Plate Details
(8 and 12 Bolt Pattern)

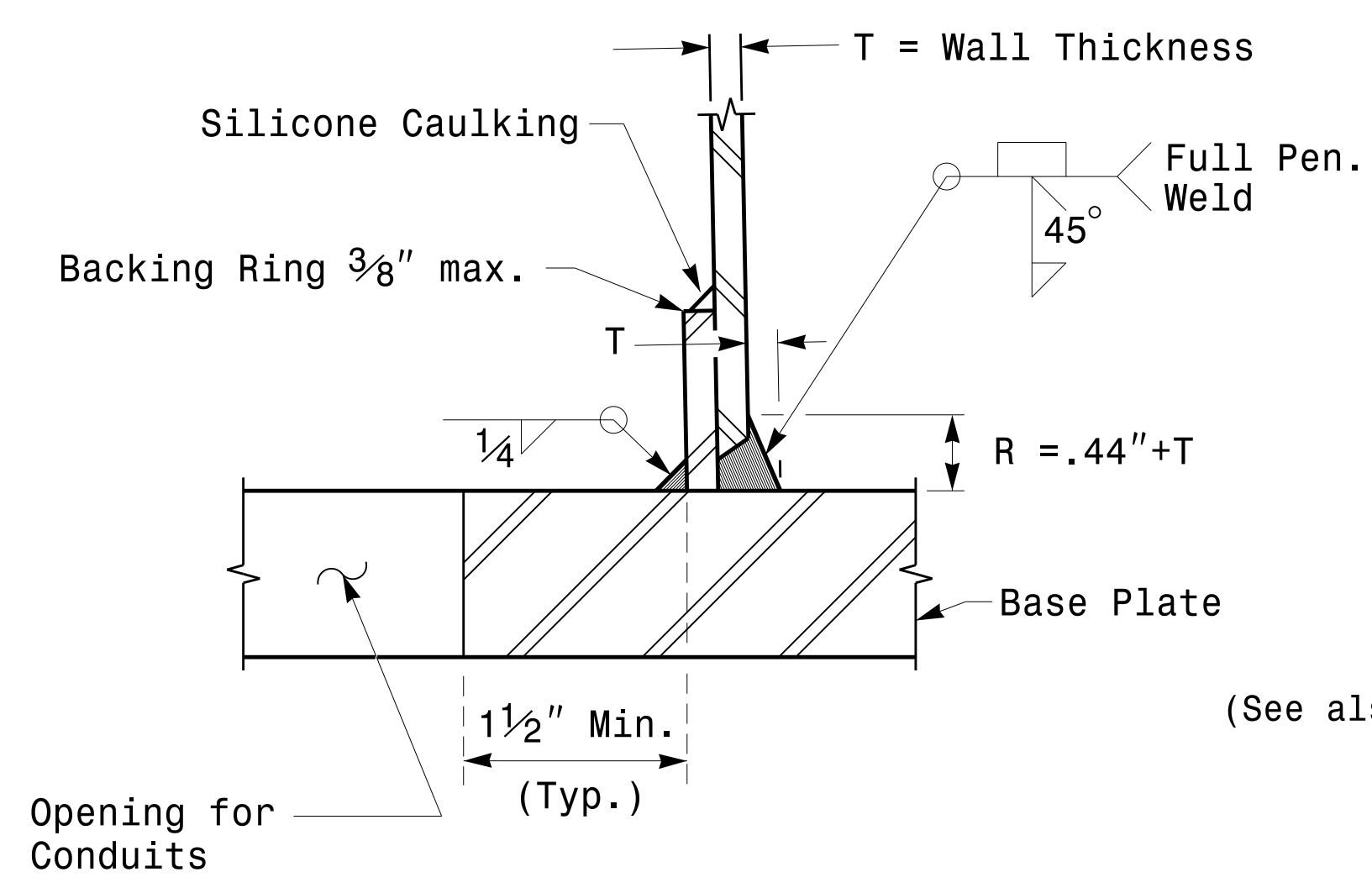
2 Cable Clamps designed for variable attachment heights from 1'-6" to 5'-0" below the top of the pole.



Monotube Strain Pole



Section A-A
Radial Orientation for Factory Installed
Accessories at Top of Pole



Section C-C
(Pole Attachment to Base Plate)
Full-Penetration
Groove Weld Detail

Prepared in the Offices of:

 750 N. Greenleaf Pkwy, Garner, NC 27529

Typical Fabrication Details For Strain Poles			
PLAN DATE:	OCTOBER 2017	DESIGNED BY:	K.C. DURIGON
PREPARED BY:	N. BITTING	REVIEWED BY:	D.C. SARKAR
REVISIONS	INIT.	DATE	

SEAL

 DocuSigned by:
 Debesh C. Sarkar
 44E8E7816FA74F9E
 10/11/2017
 DATE

11-001-2017-08225
 136504115 Signal.svk:gnrc Design Section Eastern RegionM Sheets20162014 Sig.M3 Std. Fabrication Details-Strain Poles.dgn
 11/11/2017

Fabrication Details – Strain Poles