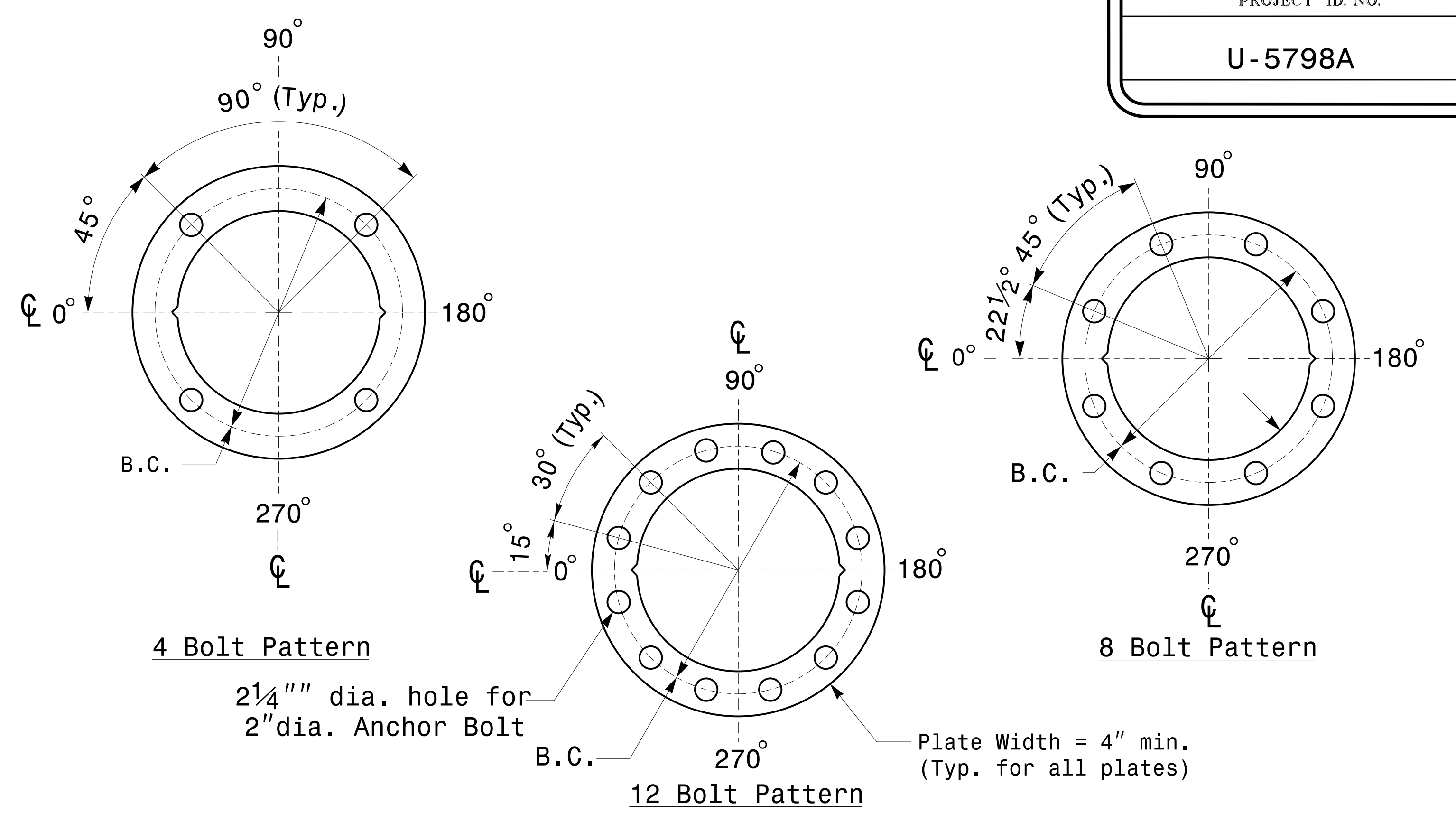
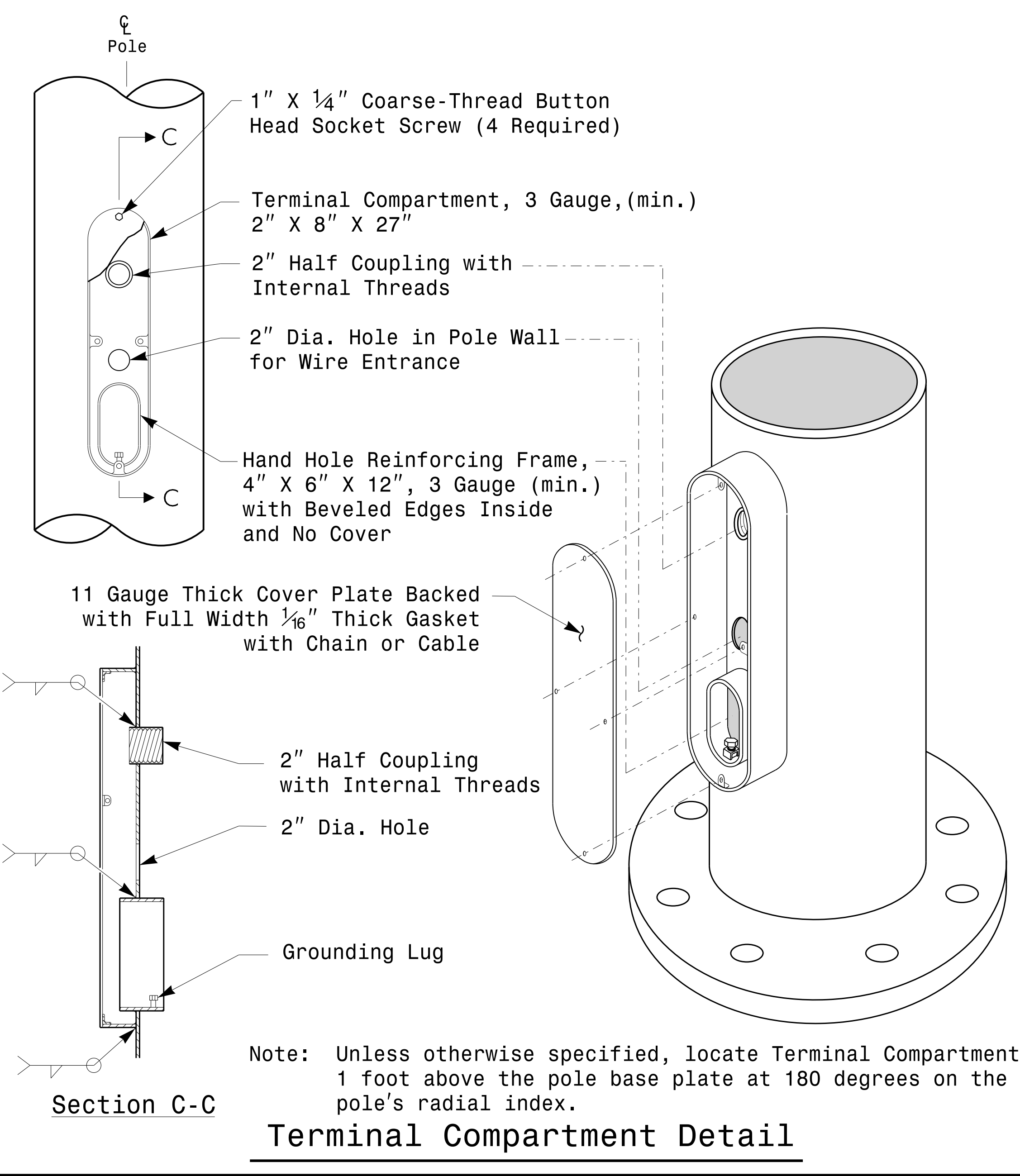


PROJECT ID. NO.	SHEET NO.
U-5798A	Sig.M2

Fabrication Details – All Metal Poles



MFG _____	MFG. DATE: MM/YY _____
SHAFT D/T/L/Y _____	SECTION D/T/L/Y _____
ARM-A D/T/L/Y _____	NCDOT SIG. INV. NO. _____
ARM-B D/T/L/Y _____	NCDOT POLE NO. _____
A.B. DIA./B.C./L/Y _____	
NCDOT SIG. INV. NO. _____	
NCDOT POLE NO. _____	

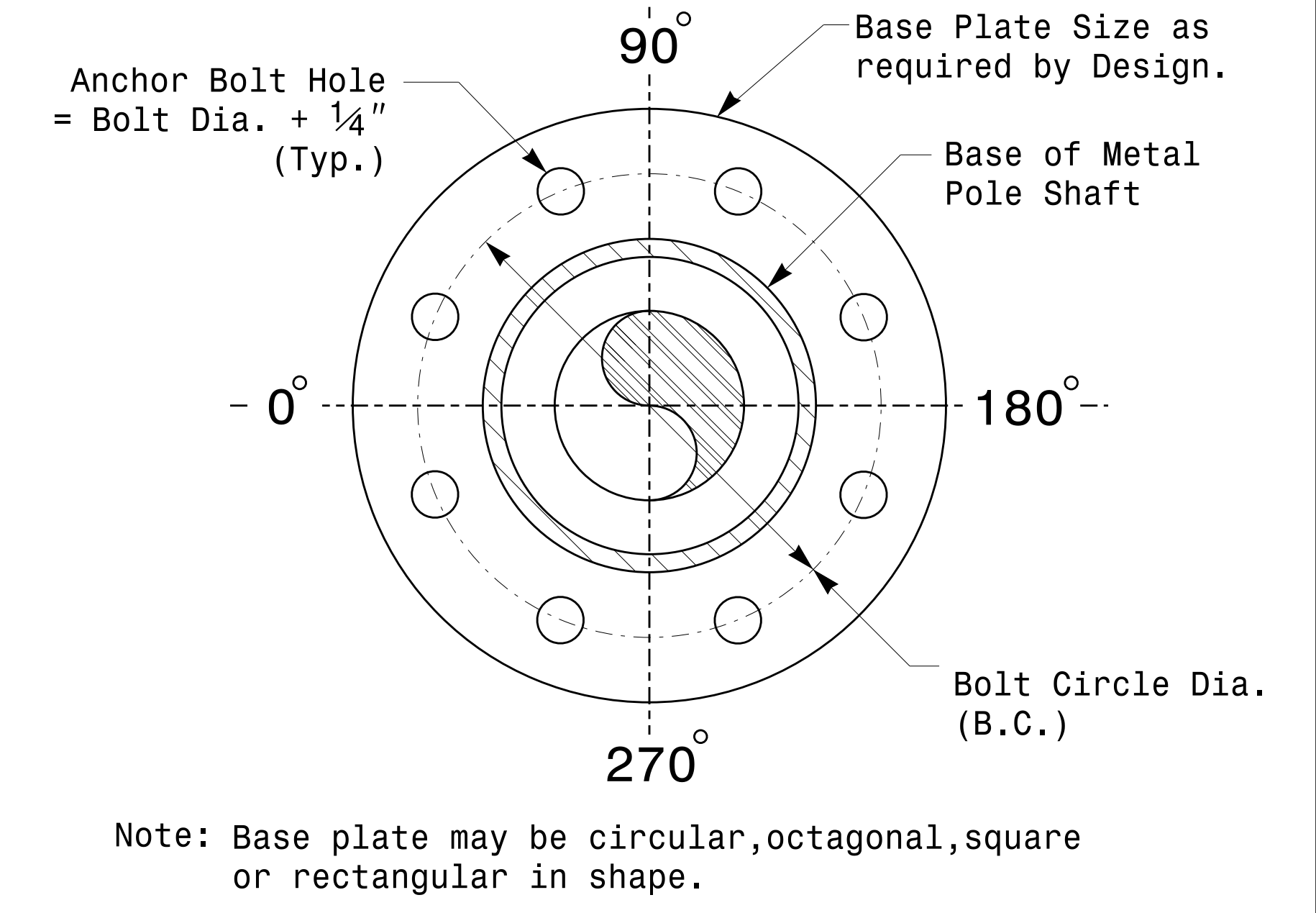
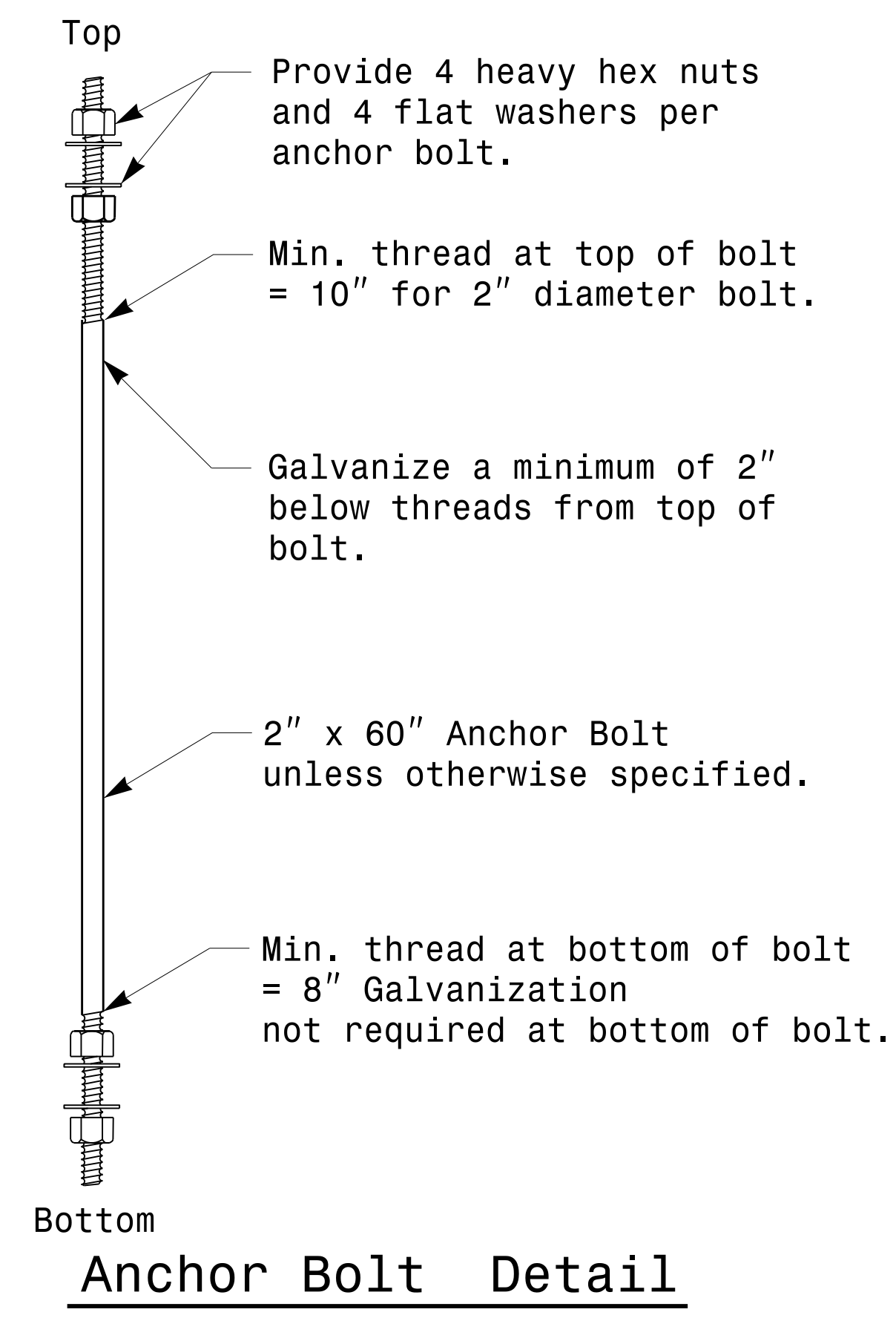
MFG _____	MFG. DATE: MM/YY _____
SECTION D/T/L/Y _____	NCDOT SIG. INV. NO. _____
NCDOT SIG. INV. NO. _____	NCDOT POLE NO. _____

Shaft I.D. Tag
(Provide on Shaft of Strain Poles and Mast Arm Poles Shaft)

Arm I.D. Tag
(Provide on each section of a multi-section mast arm.)

- Notes:
- 1) D= Diameter, T= Thickness, L= Length, Y= Yield Strength
 - 2) A.B. = Anchor Bolt
 - 3) B.C. = Bolt Circle of Anchor Bolts
 - 4) If Custom Design, use "NCDOT STANDARD" line for Signal Inv. Number and pole I.D. number
 - 5) See drawing M3 and M4 for mounting positions of I.D. tags.

Identification Tag Details



Prepared in the Offices of:

750 N. Greenfield Pkwy, Garner, NC 27529

Typical Fabrication Details For All Metal Poles	
PLAN DATE: OCTOBER 2017	DESIGNED BY: C.F. ANDREWS
PREPARED BY: N. BITTING	REVIEWED BY: D.C. SARKAR
REVISIONS	INITIALS DATE

SEAL

DocuSigned by: D. C. Sarkar
10/11/2017

11-05-2017 08:30 136504115 Signal&Sign Design Section Eastern Region\MS Sheets\2016\2014 Sig.M2 Std. Fabrication Details-All Poles.dgn