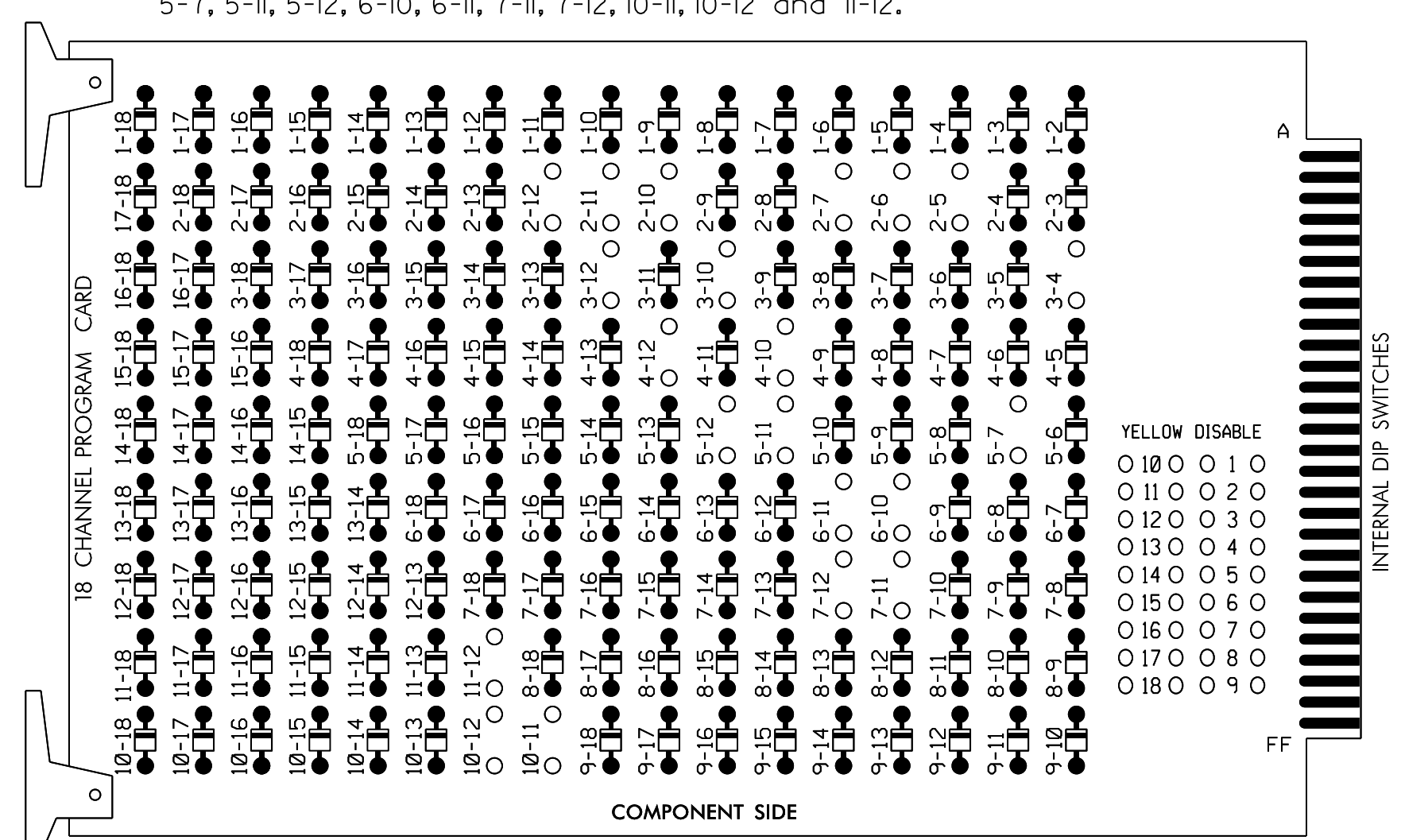


EDI MODEL 2018EClip-NC CONFLICT MONITOR PROGRAMMING DETAIL

(remove jumpers and set switches as shown)

REMOVE DIODE JUMPERS 2-5, 2-6, 2-7, 2-10, 2-11, 2-12, 3-4, 3-10, 3-12, 4-10, 4-12, 5-7, 5-11, 5-12, 6-10, 6-11, 7-11, 7-12, 10-11, 10-12 and 11-12.



REMOVE JUMPERS AS SHOWN

NOTES:

- Card is provided with all diode jumpers in place. Removal of any jumper allows its channels to run concurrently.
- Ensure jumpers SEL2-SEL5 and SEL9 are present on the monitor board.
- Ensure that Red Enable is active at all times during normal operation.
- Integrate monitor with Ethernet network in cabinet.

NOTES

- To prevent "flash-conflict" problems, insert red flash program blocks for all unused vehicle load switches in the output file. The installer shall verify that signal heads flash in accordance with the Signal Plans.
- Program controller to start up in phase 2 Green and 6 Green.
- The cabinet and controller are part of the Fayetteville Signal System.

EQUIPMENT INFORMATION

CONTROLLER.....2070LX
 CABINET.....332 W/AUX
 SOFTWARE.....ECONOLITE ASC/3-2070
 CABINET MOUNT.....BASE
 OUTPUT FILE POSITIONS...18 WITH AUX. OUTPUT FILE
 LOAD SWITCHES USED.....S2,S4,S5,S7,S8,S10,
 AUX S2,AUX S4,AUX S5
 PHASES USED.....2,4,5,6
 OVERLAP "A".....NOT USED
 OVERLAP "B".....*
 OVERLAP "C".....*
 OVERLAP "D".....*
 OVERLAP "E".....NOT USED
 OVERLAP "F".....NOT USED
 OVERLAP "G".....*
 OVERLAP "H".....*
 * See overlap programming detail on sheet 2

SIGNAL HEAD HOOK-UP CHART

LOAD SWITCH NO.	S1	S2	S3	S4	S5	S6	S7	S8	S9	S10	S11	S12	AUX S1	AUX S2	AUX S3	AUX S4	AUX S5	AUX S6
CMU CHANNEL NO.	1	2	13	3	4	14	5	6	15	7	8	16	9	10	17	11	12	18
PHASE	1	2	2 PED	OLG	4	4 PED	5	6	6 PED	DLH	8	8 PED	OLA	OLB	SPARE	OLC	OLD	SPARE
SIGNAL HEAD NO.	NU	21,22	NU	63	41,42	NU	51	61,62	NU	43	NU	NU	NU	63	NU	51	43	NU
RED		128						134						A124			A101	
YELLOW		129		*			*	135		*								
GREEN		130						136										
RED ARROW					101											A114		
YELLOW ARROW					102									A125	A115	A102		
FLASHING YELLOW ARROW													A126	A116	A103			
GREEN ARROW				118	103		133			124								

NU = Not Used

* Denotes install load resistor. See load resistor installation detail this sheet.

★ See pictorial of head wiring in detail this sheet.

INPUT FILE POSITION LAYOUT

(front view)

FILE	1	2	3	4	5	6	7	8	9	10	11	12	13	14	FS
U	TOP	TOP	TOP	TOP	TOP	TOP	TOP	TOP	TOP	TOP	TOP	TOP	TOP	TOP	DC ISOLATOR
L	Y-103M	Y-103M	Y-103M	Y-103M	Y-103M	Y-103M	Y-103M	Y-103M	Y-103M	Y-103M	Y-103M	Y-103M	Y-103M	Y-103M	ST
U	5A	5A	5A	5A	5A	5A	5A	5A	5A	5A	5A	5A	5A	5A	DC ISOLATOR
L	NOT USED	NOT USED	NOT USED	NOT USED	NOT USED	NOT USED	NOT USED	NOT USED	NOT USED	NOT USED	NOT USED	NOT USED	NOT USED	NOT USED	NOT USED

EX.: 1A, 2A, ETC. = LOOP NO.'S

FS = FLASH SENSE
ST = STOP TIME

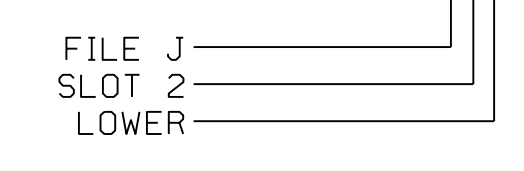
⊗ Wired Input - Do not populate slot with detector card

INPUT FILE CONNECTION & PROGRAMMING CHART

LOOP NO.	LOOP TERMINAL	INPUT FILE POS.	PIN NO.	DETECTOR NO.	NEMA PHASE	CALL	EXTEND TIME	DELAY TIME	ADDED INITIAL	DETECTOR TYPE
5A	TB3-1,2	J1U	55	5	5	YES		15		N
	-	I4U	47	22	2	YES				N

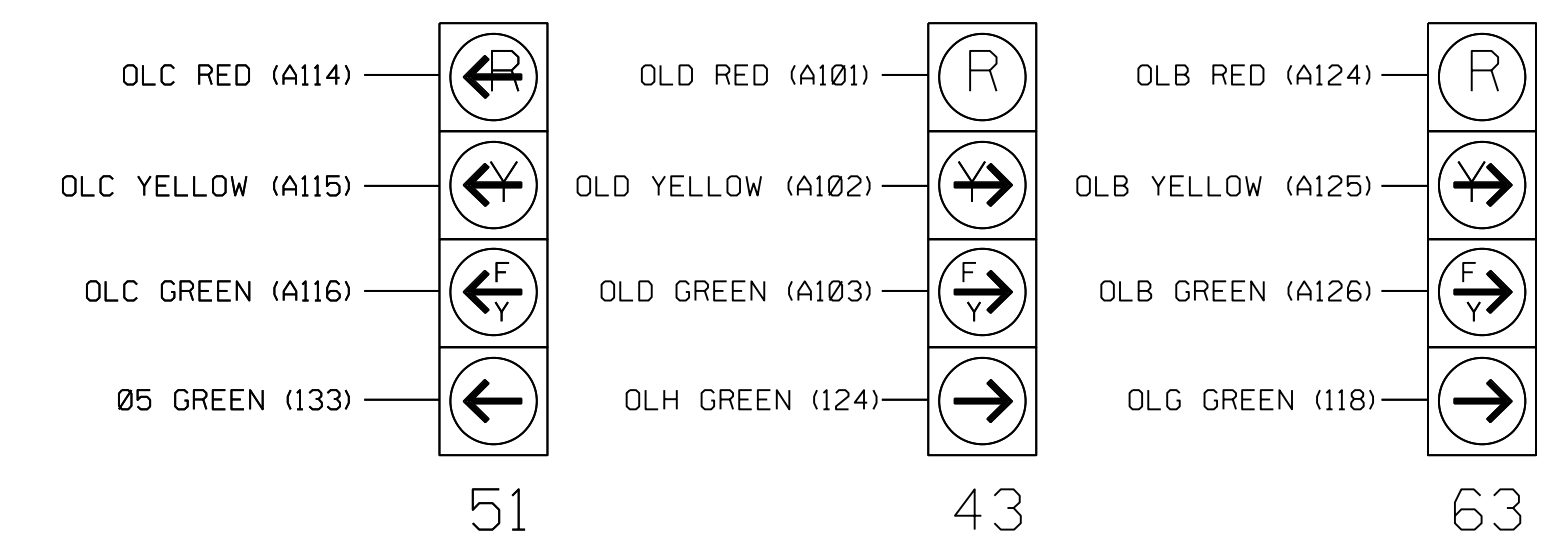
*Add jumper from J1-W to I4-W, on rear of input file.

INPUT FILE POSITION LEGEND: J2L



FYA SIGNAL WIRING DETAIL

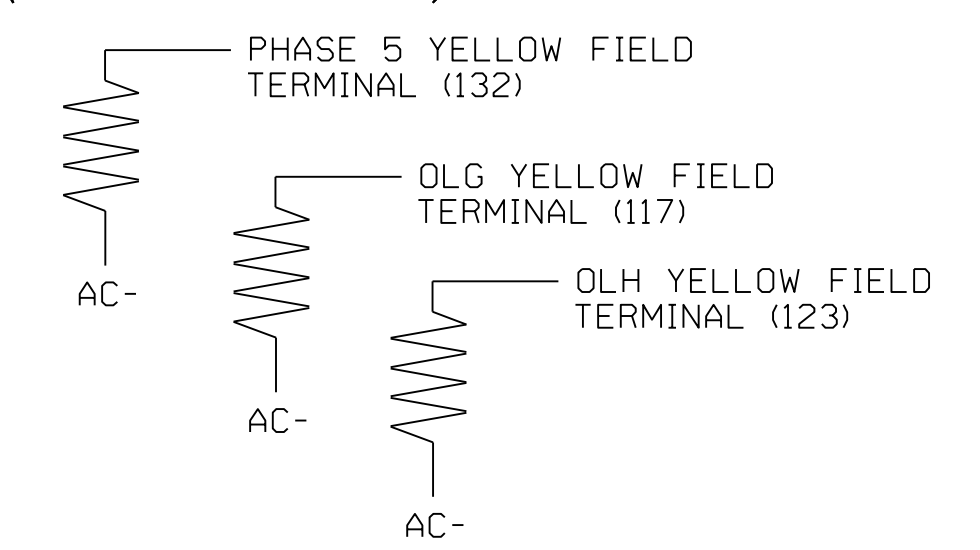
(wire signal heads as shown)



LOAD RESISTOR INSTALLATION DETAIL

(install resistors as shown)

VALUE (ohms)	WATTAGE
1.5K - 1.9K	25W (min)
2.0K - 3.0K	10W (min)



SPECIAL DETECTOR NOTE

Install a video detection system for vehicle detection. Perform installation according to manufacturer's directions and NCDOT engineer-approved mounting locations to accomplish the detection schemes shown on the Signal Design Plans.

For Detection Zone 5A, the equipment placement and slots reserved for wired inputs are typical for a NCDOT installation.

THIS ELECTRICAL DETAIL IS FOR THE SIGNAL DESIGN: 06-1243T3
DESIGNED: JANUARY 2022
SEALED: 1/5/2022
REVISED: N/A

Temporary Signal 3 - TCP Phase IV
Electrical Detail - Sheet 1 of 2

ELECTRICAL AND PROGRAMMING DETAILS FOR:

Prepared for the Offices of:

5420 Wade Park Boulevard
Suite 350
Raleigh, NC 27607

750 N. Greenfield Pkwy, Garner, NC 27529

SR 1102 (Gillis Hill Road) at Shopping Center Driveway	
Division 6	Cumberland County
Division 6	Fayetteville
PLAN DATE: January 2022	REVIEWED BY: J. Reid
PREPARED BY: C. Evans	REVIEWED BY:
REVISIONS	INIT. DATE

DOCUMENT NOT CONSIDERED FINAL UNLESS ALL SIGNATURES COMPLETED

SEAL

Jonathan D. Reid
2022.01.05
14:58:58-0500
DATE

SIG. INVENTORY NO. 06-1243T3