



STATE OF NORTH CAROLINA
DEPARTMENT OF TRANSPORTATION

ROY COOPER
GOVERNOR

J. ERIC BOYETTE
SECRETARY

March 03, 2022

Addendum No. 1

RE: Contract # C204450

WBS # 15BPR.49

STATE FUNDED

Wake County

BRIDGE #28 ON SR-1007 OVER NEUSE RIVER AND BRIDGE #240 ON SR-2509 OVER NEUSE RIVER.

March 15, 2022 Letting

To Whom It May Concern:

Reference is made to the plans and proposal form furnished to you on this project.

The following revisions have been made to the Structures plans.

Sheet No.	Revision
S-2	Quantities for "Incidental Milling" and "Link Slab for Preservation" updated.
S2-11	"Notes" were updated.

Please void the above listed Sheets in your plans and staple the revised Sheets thereto.

The following revisions have been made to the proposal.

Page No.	Revision
Proposal Cover	Note added that reads "Includes Addendum No. 1 Dated 03-03-2022".

Please void the above listed Page in your proposal and staple the revised Page thereto.

On the item sheets the following pay item revisions have been made:

<u>Item</u>	<u>Description</u>	<u>Old Quantity</u>	<u>New Quantity</u>
0002-1330000000-E-607	INCIDENTAL MILLING	620.7 SY	931.7 SY
0034-8892000000-E-SP	LINK SLAB FOR PRESERVATION	80.5 SF	720.0 SF

The Contractor's bid must include these pay item revisions.

The electronic bidding file has been updated to reflect these revisions. Please download the Addendum File and follow the instructions for applying the addendum. Bid Express will not accept your bid unless the addendum has been applied.

The contract will be prepared accordingly.

Sincerely,

DocuSigned by:

 F81B6038A47A442...

Ronald E. Davenport, Jr., PE
 State Contract Officer

RED/cms
 Attachments

cc: Mr. Lamar Sylvester, PE
 Mr. Brandon H. Jones, PE
 Mr. Boyd Tharrington, PE
 Mr. Jon Weathersbee, PE
 Mr. Ken Kennedy, PE
 Project File (2)

Mr. Forrest Dungan, PE
 Ms. Jaci Kincaid
 Ms. Lori Strickland
 Mr. Mike Gwyn
 Ms. Penny Higgins
 Mr. Kyle Kempf

STATE OF NORTH CAROLINA
DEPARTMENT OF TRANSPORTATION
RALEIGH, N.C.

PROPOSAL

INCLUDES ADDENDUM No. 1 DATED 03-03-2022

DATE AND TIME OF BID OPENING: **MARCH 15, 2022 AT 2:00 PM**

CONTRACT ID C204450

WBS 15BPR.49

FEDERAL-AID NO. STATE FUNDED

COUNTY WAKE

T.I.P. NO.

MILES 0.130

ROUTE NO.

LOCATION BRIDGE #28 ON SR-1007 OVER NEUSE RIVER AND BRIDGE #240 ON SR-2509 OVER NEUSE RIVER.

TYPE OF WORK BRIDGE PRESERVATION.

NOTICE:

ALL BIDDERS SHALL COMPLY WITH ALL APPLICABLE LAWS REGULATING THE PRACTICE OF GENERAL CONTRACTING AS CONTAINED IN CHAPTER 87 OF THE GENERAL STATUTES OF NORTH CAROLINA WHICH REQUIRES THE BIDDER TO BE LICENSED BY THE N.C. LICENSING BOARD FOR CONTRACTORS WHEN BIDDING ON ANY NON-FEDERAL AID PROJECT WHERE THE BID IS \$30,000 OR MORE, EXCEPT FOR CERTAIN SPECIALTY WORK AS DETERMINED BY THE LICENSING BOARD. BIDDERS SHALL ALSO COMPLY WITH ALL OTHER APPLICABLE LAWS REGULATING THE PRACTICES OF ELECTRICAL, PLUMBING, HEATING AND AIR CONDITIONING AND REFRIGERATION CONTRACTING AS CONTAINED IN CHAPTER 87 OF THE GENERAL STATUTES OF NORTH CAROLINA. NOT WITHSTANDING THESE LIMITATIONS ON BIDDING, THE BIDDER WHO IS AWARDED ANY PROJECT SHALL COMPLY WITH CHAPTER 87 OF THE GENERAL STATUTES OF NORTH CAROLINA FOR LICENSING REQUIREMENTS WITHIN 60 CALENDAR DAYS OF BID OPENING, REGARDLESS OF FUNDING SOURCES.

BIDS WILL BE RECEIVED AS SHOWN BELOW:

THIS IS A ROADWAY & STRUCTURE PROPOSAL

5% BID BOND OR BID DEPOSIT REQUIRED

County: Wake

Line #	Item Number	Sec #	Description	Quantity	Unit Cost	Amount
ROADWAY ITEMS						
0001	0000100000-N	800	MOBILIZATION	Lump Sum	L.S.	
0002	1330000000-E	607	INCIDENTAL MILLING	931.7 SY		
0003	1519000000-E	610	ASPHALT CONC SURFACE COURSE, TYPE S9.5B	230 TON		
0004	1575000000-E	620	ASPHALT BINDER FOR PLANT MIX	45 TON		
0005	4400000000-E	1110	WORK ZONE SIGNS (STATIONARY)	48 SF		
0006	4405000000-E	1110	WORK ZONE SIGNS (PORTABLE)	214 SF		
0007	4424500000-N	SP	TEMPORARY PORTABLE TRAFFIC SIGNAL SYSTEM	1 EA		
0008	4435000000-N	1135	CONES	6 EA		
0009	4455000000-N	1150	FLAGGER	250 DAY		
0010	4516000000-N	1180	SKINNY DRUM	50 EA		
0011	4810000000-E	1205	PAINT PAVEMENT MARKING LINES (4")	1,338 LF		
0012	4835000000-E	1205	PAINT PAVEMENT MARKING LINES (24")	24 LF		
0013	4870000000-E	1205	REMOVAL OF PAVEMENT MARKING LINES (24")	24 LF		
0014	5255000000-N	1413	PORTABLE LIGHTING	Lump Sum	L.S.	
STRUCTURE ITEMS						
0015	8161000000-E	420	GROOVING BRIDGE FLOORS	7,294 SF		
0016	8296000000-N	442	POLLUTION CONTROL	Lump Sum	L.S.	
0017	8559000000-E	SP	CLASS II, SURFACE PREPARATION	33 SY		

County : Wake

Line #	Item Number	Sec #	Description	Quantity	Unit Cost	Amount
0018	8660000000-E	SP	CONCRETE REPAIRS	12.7 CF		
0019	8664000000-E	SP	SHOTCRETE REPAIRS	93.4 CF		
0020	8860000000-N	SP	GENERIC STRUCTURE ITEM DRIFT REMOVAL	Lump Sum	L.S.	
0021	8860000000-N	SP	GENERIC STRUCTURE ITEM PAINTING CONTAINMENT FOR BRIDGE NO. 910240	Lump Sum	L.S.	
0022	8860000000-N	SP	GENERIC STRUCTURE ITEM PAINTING CONTAINMENT FOR ZONE PAINTING	Lump Sum	L.S.	
0023	8860000000-N	SP	GENERIC STRUCTURE ITEM UNDER STRUCTURE WORK PLATFORM	Lump Sum	L.S.	
0024	8860000000-N	SP	GENERIC STRUCTURE ITEM VOLUMETRIC MIXER	Lump Sum	L.S.	
0025	8860000000-N	SP	GENERIC STRUCTURE ITEM ZONE PAINTING OF EXISTING STRUCTURE	Lump Sum	L.S.	
0026	8867000000-E	SP	GENERIC STRUCTURE ITEM FOAM JOINT SEALS FOR PRESERVATION	158 LF		
0027	8867000000-E	SP	GENERIC STRUCTURE ITEM POURABLE SILICONE JOINT SEALANT	36 LF		
0028	8867000000-E	SP	GENERIC STRUCTURE ITEM PREFORMED MEMBRANE EXPANSION JOINT MATERIAL FOR PRESERVA- TION	168 LF		
0029	8867000000-E	SP	GENERIC STRUCTURE ITEM TYPE II CONCRETE BARRIER RAIL REPAIR	24.5 LF		
0030	8882000000-E	SP	GENERIC STRUCTURE ITEM REPAIRS TO PRESTRESSED CONCRETE GIRDERS	4.3 CF		
0031	8889000000-E	SP	GENERIC STRUCTURE ITEM BEAM REPAIR PLATING	600 LB		
0032	8892000000-E	SP	GENERIC STRUCTURE ITEM EPOXY COATING	1,397.6 SF		

County : Wake

Line #	Item Number	Sec #	Description	Quantity	Unit Cost	Amount
0033	8892000000-E	SP	GENERIC STRUCTURE ITEM EPOXY COATING CONCRETE GIRDER ENDS	80.5	SF	
0034	8892000000-E	SP	GENERIC STRUCTURE ITEM LINK SLAB FOR PRESERVATION	720	SF	
0035	8893000000-E	SP	GENERIC STRUCTURE ITEM BRIDGE DECK WATERPROOFING MEMBRANE - SPRAY APPLIED	1,089.2	SY	
0036	8893000000-E	SP	GENERIC STRUCTURE ITEM CONCRETE DECK REPAIR FOR POLYMER CONCRETE OVERLAY	4.2	SY	
0037	8893000000-E	SP	GENERIC STRUCTURE ITEM PLACING & FINISHING POLYMER CONCRETE OVERLAY	933	SY	
0038	8893000000-E	SP	GENERIC STRUCTURE ITEM SCARIFYING BRIDGE DECK	2,022.2	SY	
0039	8893000000-E	SP	GENERIC STRUCTURE ITEM SHOTBLASTING BRIDGE DECK	2,022.2	SY	
0040	8897000000-N	SP	GENERIC STRUCTURE ITEM BEARING REPLACEMENT	48	EA	
0041	8897000000-N	SP	GENERIC STRUCTURE ITEM CLEANING & PAINTING EXISTING BEARINGS WITH HIGH RATIO CALCIUM SULFONATE	8	EA	
0042	8897000000-N	SP	GENERIC STRUCTURE ITEM TYPE II BRIDGE JACKING BRIDGE NO 910240	12	EA	

***** BEGIN SCHEDULE AA *****
***** (2 ALTERNATES) *****

0043	8881000000-E	SP	GENERIC STRUCTURE ITEM POLYESTER POLYMER CONCRETE MATERIALS	36	CY	
------	--------------	----	---	----	----	--

*** OR ***

County : Wake

Line #	Item Number	Sec #	Description	Quantity	Unit Cost	Amount
0044 AA2	8881000000-E	SP	GENERIC STRUCTURE ITEM EPOXY POLYMER CONCRETE MATERIALS	36 CY		

***** END SCHEDULE AA *****

1351/Mar03/Q20003.5/D315162600000/E44

Total Amount Of Bid For Entire Project :

TOTAL BILL OF MATERIAL																	
BRIDGE No.	INCIDENTAL MILLING	ASPHALT CONCRETE SURFACE COURSE TYPE S9.5B	ASPHALT BINDER PLANT MIX	GROOVING BRIDGE FLOOR	POLLUTION CONTROL	CLASS II SURFACE PREPARATION	CONCRETE REPAIRS	SHOTCRETE REPAIRS	DRIFT REMOVAL	PAINTING CONTAINMENT FOR ZONE PAINTING	PAINTING CONTAINMENT FOR BRIDGE NO.	ZONE PAINTING OF EXISTING STRUCTURE	VOLUMETRIC MIXER	UNDER STRUCTURE WORK PLATFORM	PREFORMED MEMBRANE EXPANSION JOINT MATERIAL FOR PRESERVATION	POURABLE SILICONE JOINT SEALANT	FOAM JOINT SEALS FOR PRESERVATION
	SQ.YDS.	TON	TON	SQ.FT.	LUMP SUM	SQ.YDS.	CU.FT.	CU.FT.	LUMP SUM	LUMP SUM	LUMP SUM	LUMP SUM	LUMP SUM	LUMP SUM	LIN.FT.	LIN.FT.	LIN.FT.
910028	623.0	200	40	-	LUMP SUM	28.8	6.7	35.6	-	LUMP SUM	-	LUMP SUM	LUMP SUM	LUMP SUM	168	-	-
910240	308.7	30	5	7294	LUMP SUM	4.2	6.0	57.8	LUMP SUM	-	LUMP SUM	-	-	-	-	36	158
TOTAL	931.7	230	45	7294	LUMP SUM	33.0	12.7	93.4	LUMP SUM	LUMP SUM	LUMP SUM	LUMP SUM	LUMP SUM	LUMP SUM	168	36	158



TOTAL BILL OF MATERIAL CONTINUED																	
BRIDGE No.	TYPE 11 CONCRETE BARRIER RAIL REPAIR	POLYESTER POLYMER CONCRETE MATERIALS	EPOXY POLYMER CONCRETE MATERIALS (ALTERNATE)	REPAIRS TO PRESTRESSED CONCRETE GIRDERS	BEAM REPAIR PLATING	EPOXY COATING	EPOXY COATING CONCRETE GIRDER ENDS	LINK SLAB FOR PRESERVATION	BRIDGE DECK WATERPROOFING MEMBRANE-SPRAY APPLIED	CONCRETE DECK REPAIR FOR POLYMER CONCRETE OVERLAY	PLACING & FINISHING POLYMER CONCRETE OVERLAY	SCARIFYING BRIDGE DECK	SHOTBLASTING BRIDGE DECK	BEARING REPLACEMENT	CLEANING & PAINTING EXISTING BEARINGS WITH HIGH RATIO CALCIUM SULFONATE	TYPE II BRIDGE JACKING BRIDGE #	
	LIN.FT.	CU.YDS.	CU.YDS.	CU.FT.	LBS.	SQ.FT.	SQ.FT.	SQ.FT.	SQ.YDS.	SQ.YDS.	SQ.YDS.	SQ.YDS.	SQ.YDS.	EACH	EACH	EACH	
910028	24.5	-	-	-	600	689.1	-	-	1089.2	-	-	1089.2	1089.2	-	-	-	
910240	-	36	36	4.3	-	708.5	80.5	720.0	-	4.2	933	933	933	48	8	12	
TOTAL	24.5	36	36	4.3	600	1397.6	80.5	720.0	1089.2	4.2	933	2022.2	2022.2	48	8	12	



NOTES

REPAIR LOCATIONS AND ESTIMATES OF QUANTITIES ARE GIVEN WITH THE BEST INFORMATION AVAILABLE. IF ADDITIONAL REPAIRS NOT SHOWN ON THE DRAWINGS ARE DEEMED NECESSARY BY THE ENGINEER, THE ENGINEER SHALL NOTE ON THE DRAWINGS THE APPROXIMATE LOCATION AND DESCRIPTION OF THE REPAIRS.

EXISTING DIMENSIONS AND BRIDGE CONDITION ARE FROM THE BEST INFORMATION AVAILABLE. THE CONTRACTOR SHALL FIELD VERIFY THE INFORMATION SHOWN ON THE PLANS AND NOTIFY THE ENGINEER IF ACTUAL DIMENSIONS AND CONDITIONS DIFFER.

THE CONTRACTOR SHALL HAVE NO CLAIM WHATSOEVER AGAINST THE DEPARTMENT FOR ANY DELAYS OR ADDITIONAL COST INCURRED BASED ON DIFFERENCES BETWEEN WHAT IS SHOWN ON THE PLANS AND THE ACTUAL CONDITIONS AT THE PROJECT SITE.

INASMUCH AS THE PAINT SYSTEMS ON THE EXISTING STRUCTURAL STEEL CONTAINS LEAD, THE CONTRACTOR'S ATTENTION IS DIRECTED TO ARTICLE 107-1 OF THE STANDARD SPECIFICATIONS. ANY COSTS RESULTING FROM COMPLIANCE WITH APPLICABLE STATE OR FEDERAL REGULATIONS PERTAINING TO HANDLING OF MATERIALS CONTAINING LEAD BASED PAINT SHALL BE INCLUDED IN THE BID PRICES FOR ITEMS ASSOCIATED WITH THE CLEANING AND REPAINTING OF BRIDGES.

IT IS THE CONTRACTOR'S RESPONSIBILITY TO FOLLOW ALL STATE AND FEDERAL SAFETY REQUIREMENTS.

EXISTING JOINTS AND DECK DRAINS SHALL BE SEALED PRIOR TO BEGINNING SURFACE PREPARATIONS OF THE BRIDGE DECK. THE CONTRACTOR SHALL TAKE CARE THAT ANY CONSTRUCTION DEBRIS THAT COLLECTS IN THE DRAINS IS CONTAINED. DRAINS IN SHOULDERS OF ADJACENT TRAVEL LANE(S) SHALL BE KEPT FREE AND CLEAR OF DEBRIS.

LONGITUDINAL CONSTRUCTION JOINTS OF OVERLAYS SHALL BE LOCATED ALONG THE CENTERLINE OR EDGE OF TRAVEL LANES.

WORK ON THE BRIDGES SHALL BE PERFORMED SO AS NOT TO ALLOW DEBRIS TO FALL BELOW. THE CONTRACTOR SHALL SUBMIT PLANS FOR CONSTRUCTION IN ACCORDANCE WITH ARTICLE 402-2 OF THE STANDARD SPECIFICATIONS AND THE PROJECT SPECIAL PROVISIONS.

FOR CONTROL OF TRAFFIC AND LIMITS ON PHASING OF CONSTRUCTION, SEE TRANSPORTATION MANAGEMENT PLANS.

FOR FINAL PAVEMENT MARKINGS AND MARKERS, SEE TRANSPORTATION MANAGEMENT PLANS.

ANY DAMAGE TO EXISTING REINFORCING STEEL, DURING CONTRACTOR'S OPERATIONS, SHALL BE REPAIRED AS DIRECTED BY THE ENGINEER AND PERFORMED AT NO ADDITIONAL COST TO THE DEPARTMENT.

PRIOR TO BEGINNING WORK, THE CONTRACTOR SHALL SUBMIT FOR REVIEW AND APPROVAL A COMPLETE SEQUENCE OF TASKS FOR EACH OPERATION AFFECTING THE BRIDGE SURFACE AND/OR TRAFFIC.

THE CONTRACTOR'S ATTENTION IS CALLED TO THE FACT THAT THERE ARE STREAM MONITORING DEVICES ATTACHED TO STRUCTURE 910240 THAT SHOULD NOT BE DISTURBED WITHOUT APPROVAL FROM THE ENGINEER.

FOR SUBMITTAL OF WORKING DRAWINGS, SEE SPECIAL PROVISIONS.

FOR FALSEWORK AND FORMWORK, SEE SPECIAL PROVISIONS.

FOR GROUT FOR STRUCTURES, SEE SPECIAL PROVISIONS.

FOR CRANE SAFETY, SEE SPECIAL PROVISIONS.

FOR POLLUTION CONTROL, SEE SPECIAL PROVISIONS.

FOR SHOTCRETE REPAIRS, SEE SPECIAL PROVISIONS.

FOR CONCRETE REPAIRS, SEE SPECIAL PROVISIONS.

FOR FOAM JOINT SEALS FOR PRESERVATION, SEE SPECIAL PROVISIONS.

FOR PREFORMED MEMBRANE EXPANSION JOINTS FOR PRESERVATION, SEE SPECIAL PROVISIONS.

FOR POURABLE SILICONE JOINT SEALANT, SPECIAL PROVISIONS.

FOR ZONE PAINTING OF EXISTING EXISTING STRUCTURE, SEE SPECIAL PROVISIONS.

FOR PAINTING CONTAINMENT FOR ZONE PAINTING, SEE SPECIAL PROVISIONS.

FOR CONCRETE DECK REPAIR FOR POLYMER CONCRETE, POLYMER CONCRETE MATERIALS, PLACING AND FINISHING POLYMER CONCRETE OVERLAY, SEE POLYMER CONCRETE BRIDGE DECK OVERLAY SPECIAL PROVISIONS.

FOR BRIDGE DECK WATERPROOFING MEMBRANE-SPRAY APPLIED, SEE SPECIAL PROVISIONS.

FOR PREFORMED MEMBRANE EXPANSION JOINT MATERIAL, SEE SPECIAL PROVISIONS.

FOR CLEANING AND PAINTING EXISTING BEARINGS WITH HRCSA, SEE SPECIAL PROVISIONS.

FOR PAINTING CONTAINMENT FOR BRIDGE NO., SEE CLEANING AND PAINTING EXISTING BEARINGS WITH HRCSA SPECIAL PROVISION.

FOR EPOXY COATING AND DEBRIS REMOVAL, SEE SPECIAL PROVISIONS.

FOR SCARIFYING AND SHOTBLASTING BRIDGE DECKS, SEE SPECIAL PROVISIONS.

FOR TYPE II BRIDGE JACKING, SEE SPECIAL PROVISIONS.

FOR DRIFT REMOVAL, SEE SPECIAL PROVISIONS.

FOR SECURING OF VESSELS, SEE SPECIAL PROVISIONS.

FOR BEAM REPAIR PLATING, SEE SPECIAL PROVISIONS.

FOR UNDER STRUCTURE WORK PLATFORM, SEE SPECIAL PROVISIONS.

FOR LINK SLAB FOR PRESERVATION, SEE SPECIAL PROVISIONS.

FOR BEARING REPLACEMENT, SEE SPECIAL PROVISIONS.

FOR CLASS II SURFACE PREPARATION, SEE SPECIAL PROVISIONS.

FOR EPOXY COATING CONCRETE GIRDER ENDS, SEE SPECIAL PROVISIONS.

FOR REPAIRS TO PRESTRESSED CONCRETE GIRDERS, SEE SPECIAL PROVISIONS.

FOR VOLUMETRIC MIXER, SEE SPECIAL PROVISIONS.

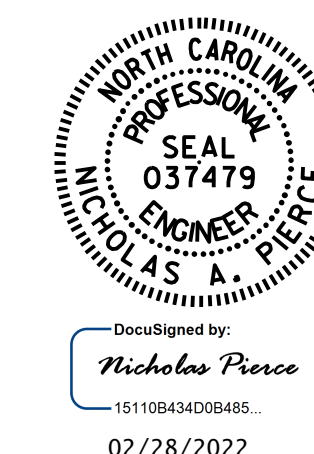
FOR TYPE 11 CONCRETE BARRIER RAIL REPAIR, SEE SPECIAL PROVISIONS.

AT THE TIME OF PREPARATION OF THESE PLANS, IT WAS NOT ANTICIPATED THAT THE FOLLOWING ITEM(S) LISTED WOULD BE REQUIRED. HOWEVER, IT MAY BE DETERMINED IN THE FIELD THAT THE FOLLOWING ITEM(S) LISTED, OR OTHER WORK WILL BE NECESSARY TO PROPERLY COMPLETE THE INTENDED BRIDGE PRESERVATION/REHABILITATION WORK. THE CONTRACTOR SHALL BE PREPARED TO PERFORM SUCH WORK IN A TIMELY MANNER, AS DETERMINED IN THE FIELD. SUCH WORK SHALL BE CONSIDERED EXTRA WORK AND SHALL BE ADDRESSED AS PER ARTICLE 104-7 OF THE STANDARD SPECIFICATIONS. PROJECT SPECIAL PROVISIONS THAT OUTLINE REQUIREMENTS FOR THESE POTENTIAL ADDITIONAL WORK ITEMS HAVE BEEN PROVIDED IN THE PROJECT DOCUMENTS, BUT NO QUANTITIES HAVE BEEN LISTED. ACTUAL PAY ITEMS, QUANTITIES, AND COSTS WILL BE ESTABLISHED, AS REQUIRED, IF EXTRA WORK IS ENCOUNTERED.

UNANTICIPATED ITEMS:	ITEM DESCRIPTION	UNIT
	SPlicing OF PRESTRESSING STRAND	EACH
	TYPE I BRIDGE JACKING	EACH
	BOLTED BEAM REPAIR	POUND
	BEAM REPAIR BEAM END CUT-OUT	POUND
	CLASS III SURFACE PREPARATION	SQ. YDS.

DRAWN BY : N.A. PIERCE DATE : 05/2020
 CHECKED BY : D.A. CANTRELL DATE : 11/2021
 DESIGN ENGINEER OF RECORD : N.A. PIERCE DATE : 11/2021

PROJECT NO. **15BPR.49**
WAKE COUNTY
 BRIDGE NO. **910028 & 910240**



STATE OF NORTH CAROLINA
 DEPARTMENT OF TRANSPORTATION
 RALEIGH

GENERAL DRAWING

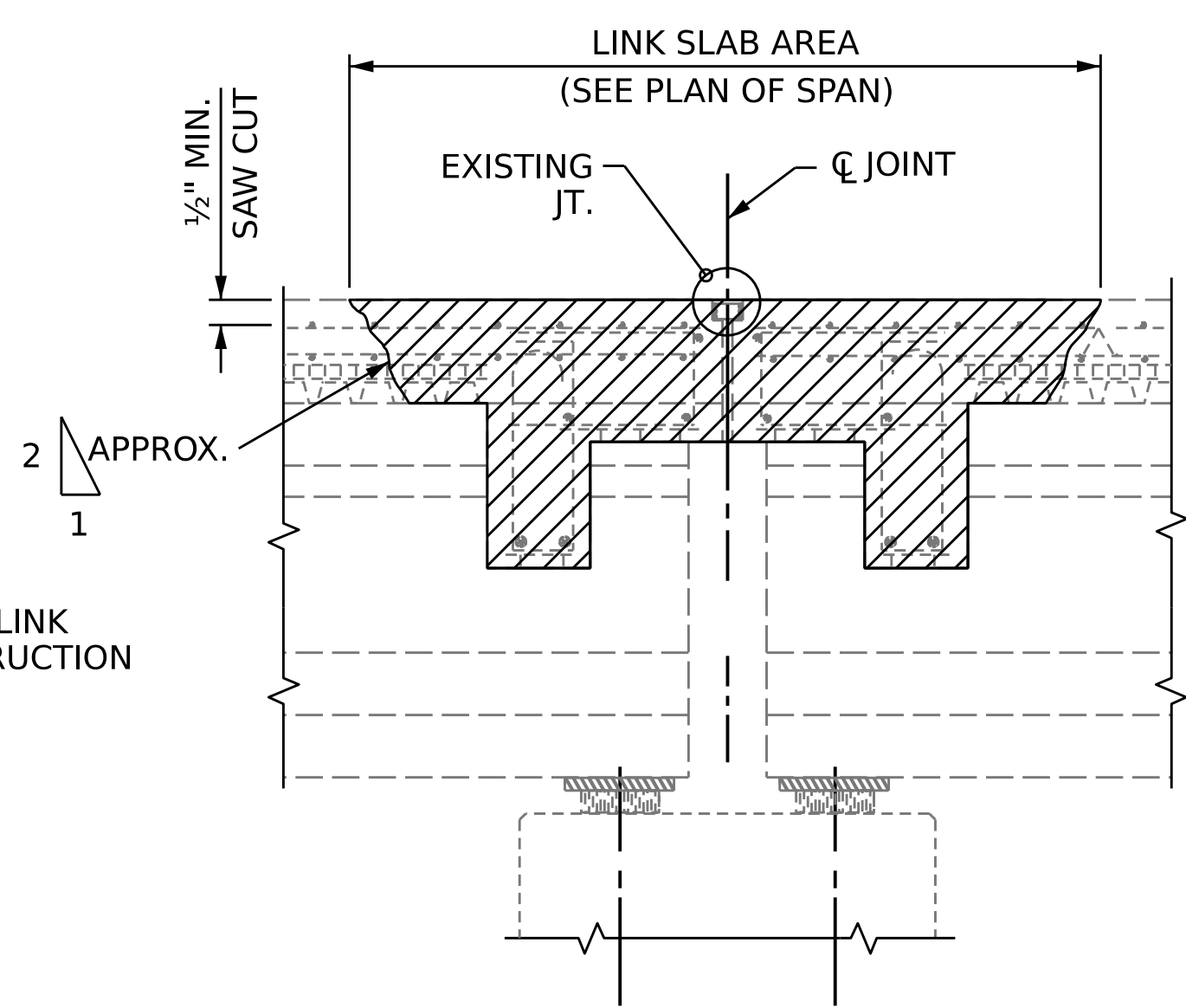
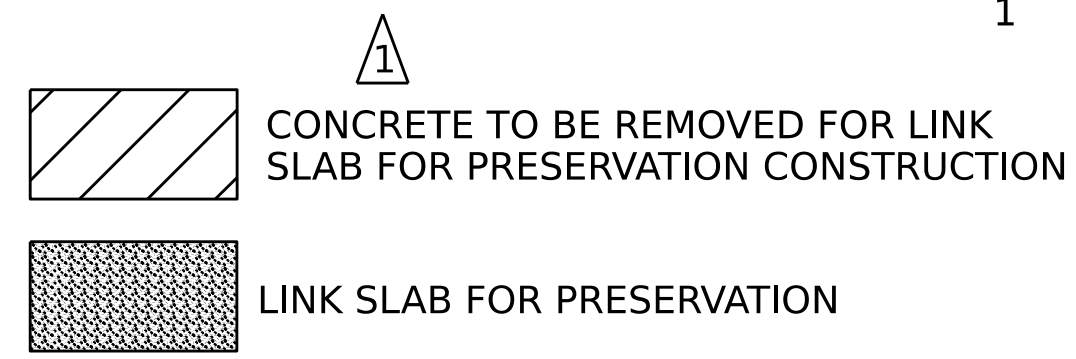
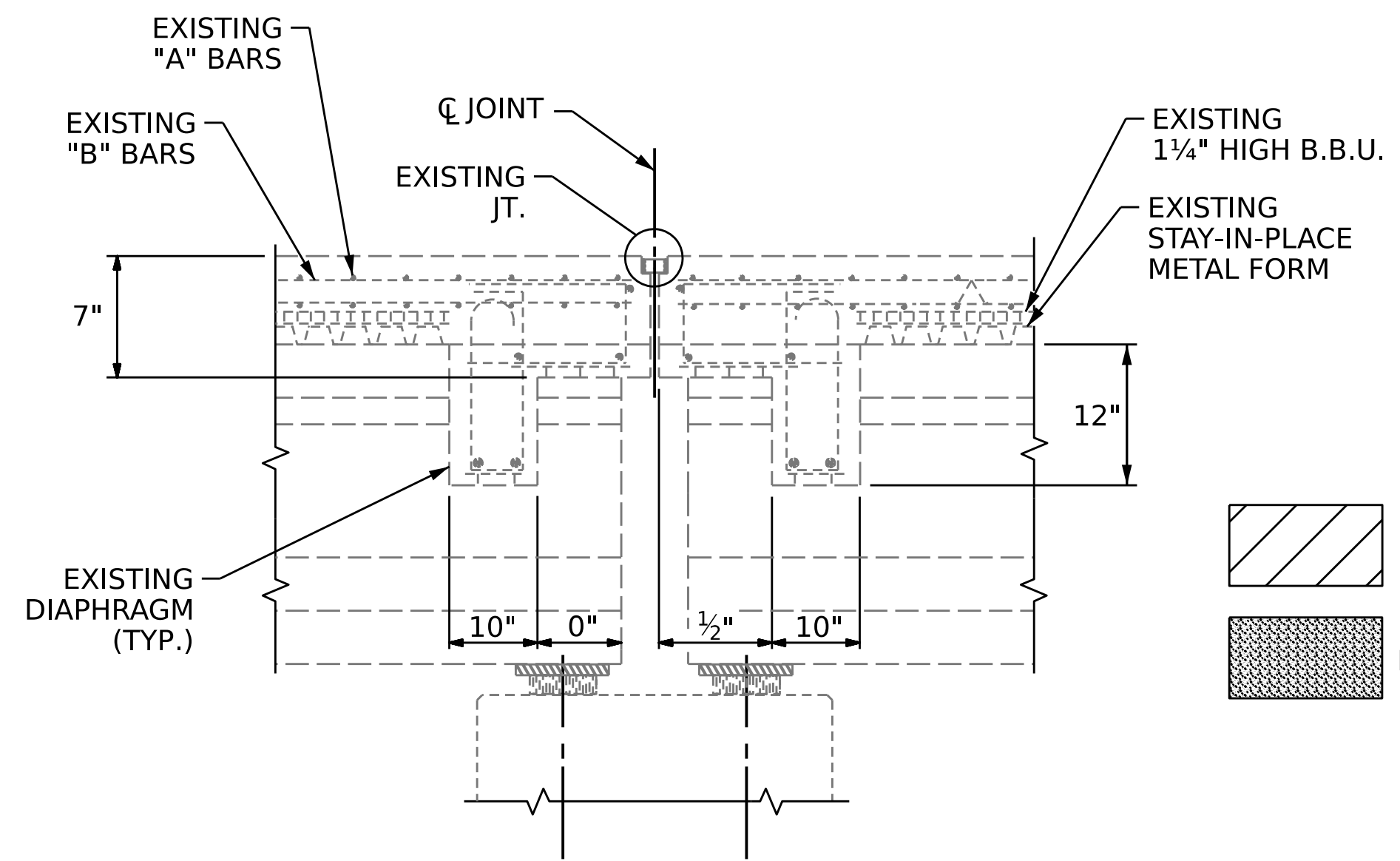
NOTES AND TOTAL
 BILL OF MATERIAL

REVISIONS					SHEET NO.
NO.	BY:	DATE:	NO.	BY:	DATE:
1	NAP	02/25/22	3		
2			4		

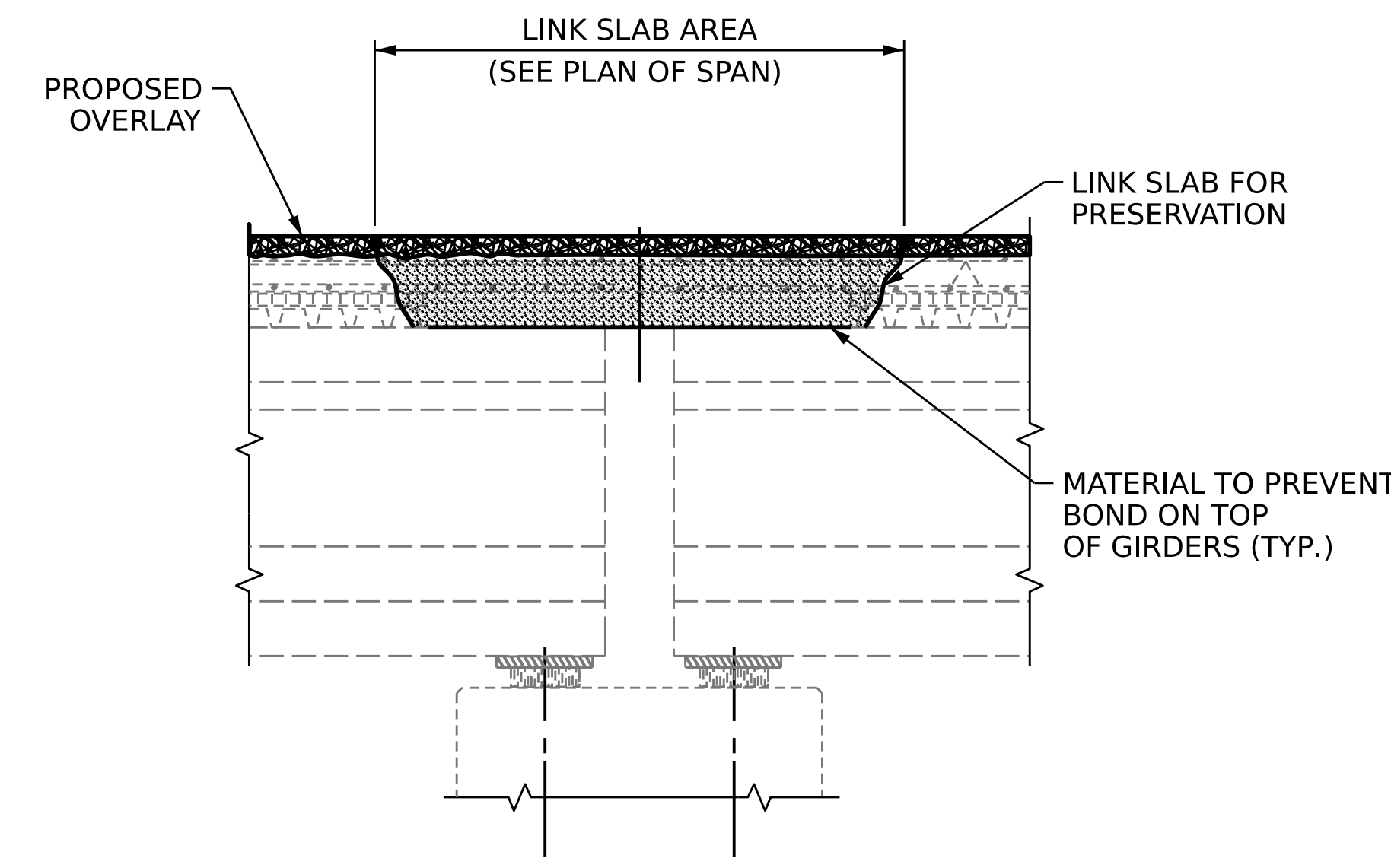
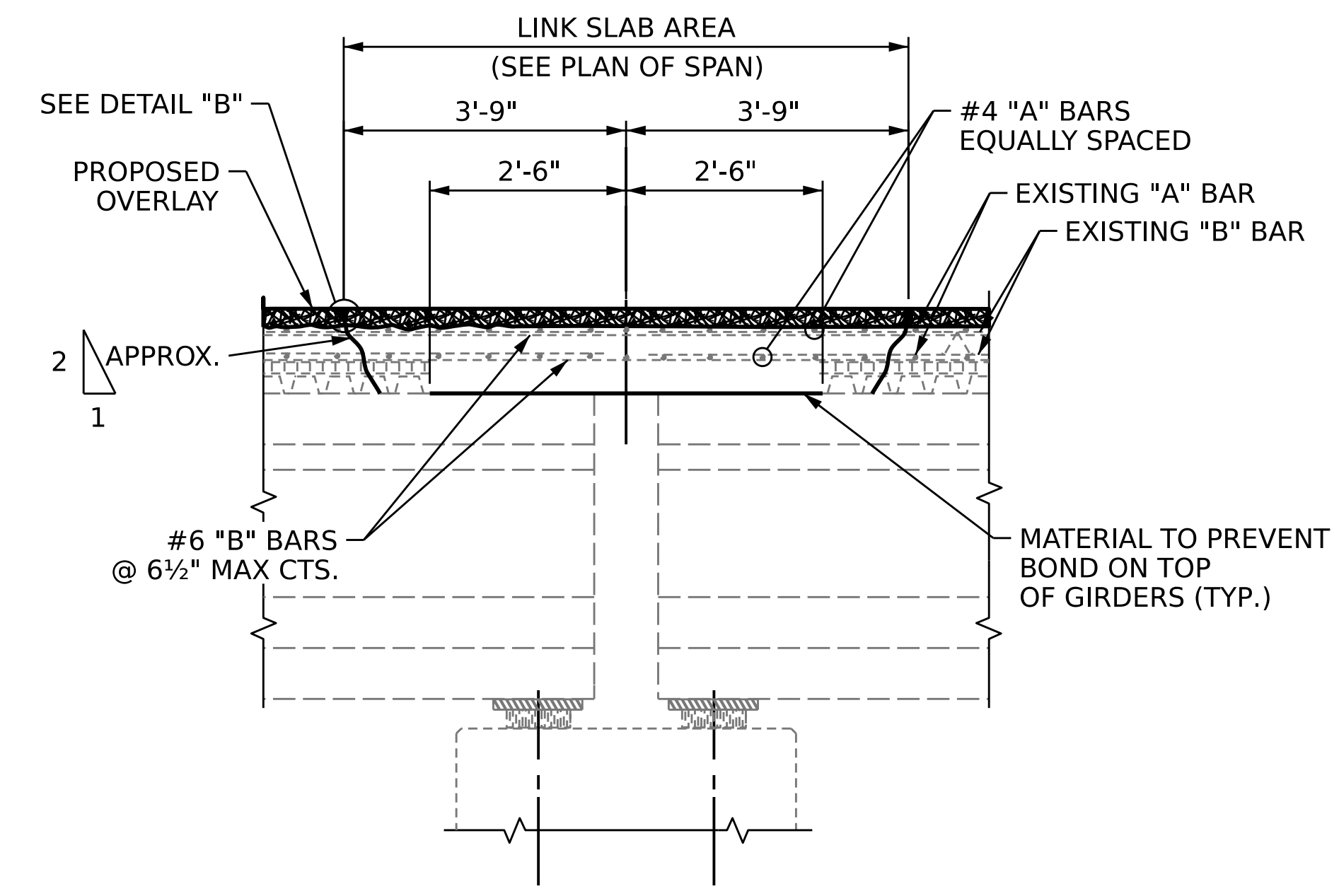
DOCUMENT NOT CONSIDERED FINAL UNLESS ALL SIGNATURES COMPLETED

S-2
 TOTAL SHEETS 73

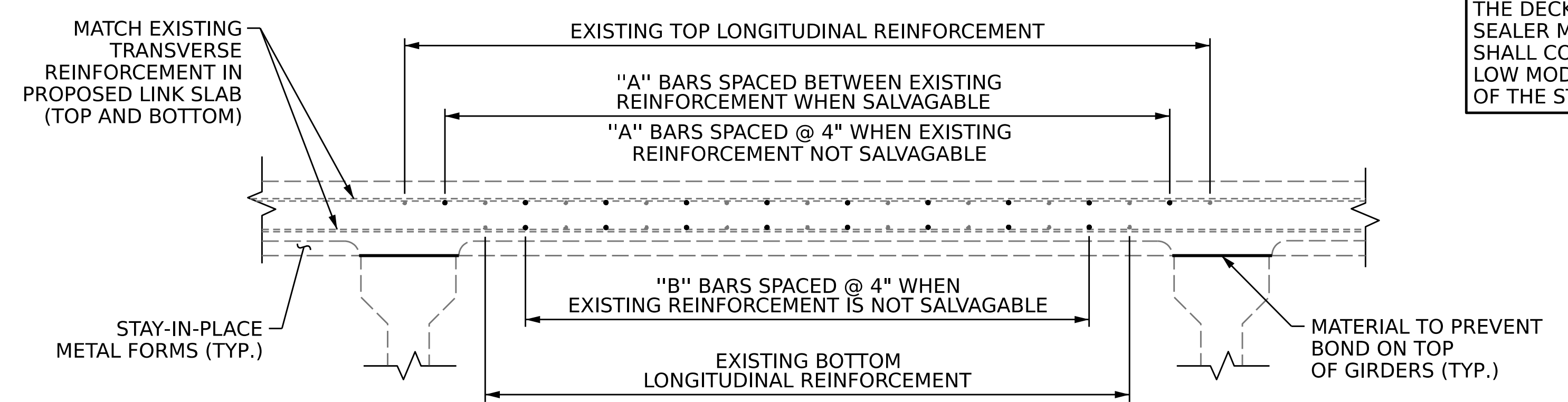
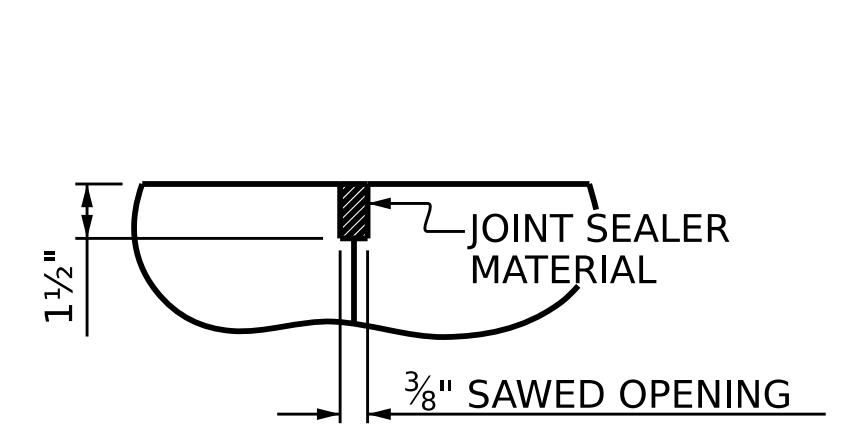
REVISED QUANTITIES 02/25/22



EXISTING SECTION AT BENT
SECTION B-B



PROPOSED SECTION AT BENT
SECTION B-B



REINFORCEMENT DETAILS

A 1 1/2" DEEP CONTRACTION JOINT AT BENT CONTROL LINE SHALL BE SAWN WITHIN 24 HOURS OF POURING THE DECK. THE JOINT SHALL BE FILLED WITH JOINT SEALER MATERIAL. THE JOINT SEALER MATERIAL SHALL CONFORM TO THE REQUIREMENTS OF TYPE B LOW MODULUS SILICONE SEALANT. SEE SECTION 1028 OF THE STANDARD SPECIFICATIONS.

SPlice LENGTHS			
BAR SIZE	EPOXY COATED	UNCOATED	
#4	2'-0"	1'-9"	
#5	2'-6"	2'-2"	
#6	3'-0"	2'-7"	

BILL OF MATERIAL					
FOR ONE LINK SLAB (4 REQ'D)					
BAR	NO.	SIZE	TYPE	LENGTH	WEIGHT
* A	15	#5	STR	24'-0"	376 LBS.
A	15	#5	STR	24'-0"	376 LBS.
* B	46	#6	STR	7'-6"	519 LBS.
B	46	#6	STR	7'-6"	519 LBS.
REINFORCING STEEL					895 LBS.
* EPOXY COATED REINFORCING STEEL					895 LBS.

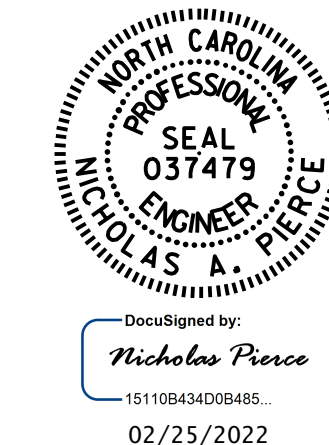
NOTES

- SEE TRAFFIC MANAGEMENT PLANS FOR LANE WIDTHS, SEQUENCING, AND OTHER TRAFFIC CONTROL MEASURES FOR STAGING OF JOINT REPAIR.
- FOR ESTIMATED LINK SLAB FOR PRESERVATION QUANTITIES, SEE PLAN OF SPAN SHEETS.
- FOR LINK SLAB FOR PRESERVATION, SEE SPECIAL PROVISIONS.

CONSTRUCTION SEQUENCE

- CLOSE WORK AREA ACCORDING TO TRAFFIC MANAGEMENT PLANS.
- MARK OUT PROPOSED LINK SLAB AREA AND REMOVE EXISTING JOINT MATERIAL.
- SAW CUT 1/2" DEEP PERIMETER OF PROPOSED LINK SLAB AREA.
- BEGIN FULL DEPTH DEMOLITION OF PROPOSED LINK SLAB AREA, BEING CAREFUL NOT TO DAMAGE EXISTING REINFORCING STEEL, BEAM FLANGES, OR STAY-IN-PLACE FORMS. DEMOLISH EDGES OF LINK SLAB AREA AT A 2:1 RATIO, AS SHOWN.
- REMOVE DEMILITIONED MATERIALS AND CLEAN LINK SLAB AREA.
- REMOVE SHEAR STUDS/STIRRUPS WITHIN THE 0.05L AREA.
- COAT AND/OR REPAIR EXISTING REINFORCING STEEL THAT WAS DAMAGED DURING DEMOLITION.
- PLACE BOND BREAKER MATERIAL WITHIN THE 0.05L AREA.
- PLACE ADDITIONAL REINFORCING STEEL AS SHOWN.
- PLACE NEW CONCRETE FOLLOWING THE CONCRETE WORK FOR JOINT REPLACEMENT SPECIAL PROVISION. AS AN ALTERNATIVE, THE CONTRACTOR CAN USE PC MATERIAL FOR THE LINK SLAB, FOLLOWING THE POLYMER CONCRETE BRIDGE DECK OVERLAY SPECIAL PROVISION.
- AFTER PROPOSED DECK OVERLAY WORK HAS CURED, SAW CUT CONTROL LINES AND FILL WITH SEALER MATERIAL.

PROJECT NO. **15BPR.49**
WAKE COUNTY
BRIDGE NO. **910240**



STATE OF NORTH CAROLINA
DEPARTMENT OF TRANSPORTATION
RALEIGH
LINK SLAB FOR PRESERVATION JOINT DETAILS

DRAWN BY : N.A. PIERCE DATE : 8/2018
CHECKED BY : D.A. CANTRELL DATE : 11/2021
DESIGN ENGINEER OF RECORD : N.A. PIERCE DATE : 11/2021

REVISED CALL OUT AND NOTES 02/25/22

DOCUMENT NOT CONSIDERED FINAL UNLESS ALL SIGNATURES COMPLETED

REVISIONS				SHEET NO.
NO.	BY:	DATE:	NO.	DATE:
1	NAP	02/25/22	3	
2			4	

TOTAL SHEETS: 73