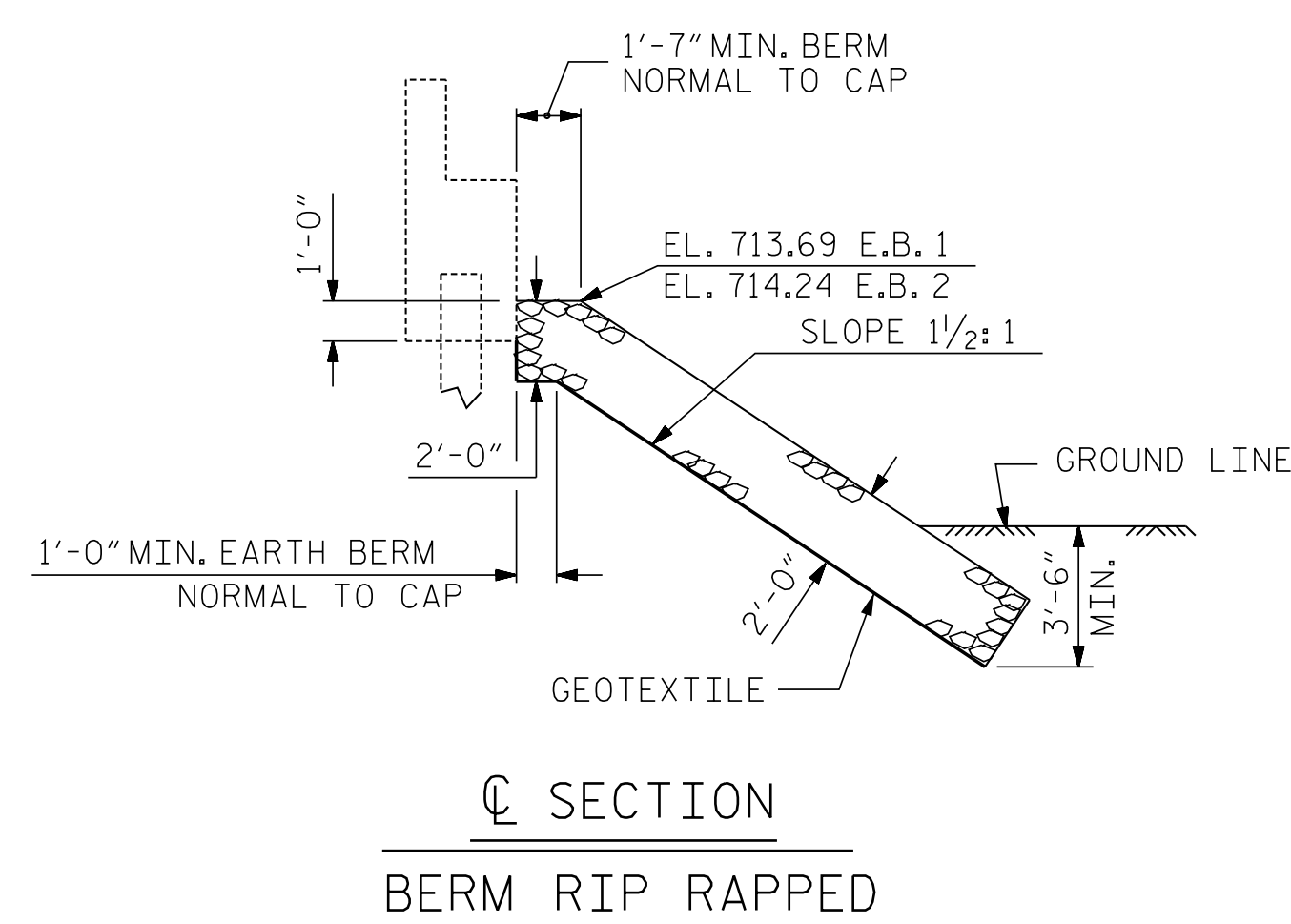


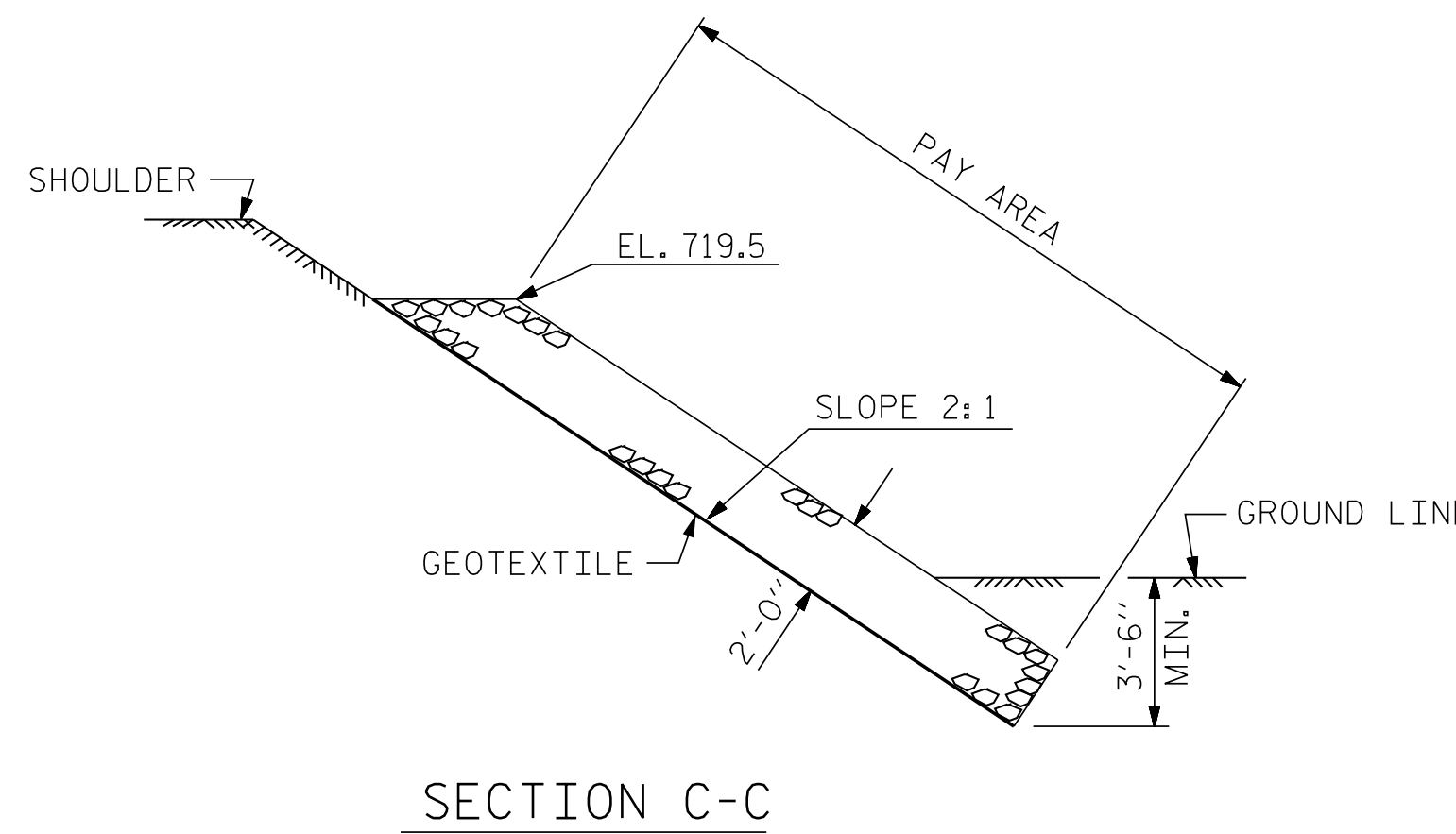
PLAN @ END BENT 1

PLAN @ END BENT 2

ESTIMATED QUANTITIES		
BRIDGE @ STA. 70+72.50 -L-	RIP RAP CLASS II (2'-0" THICK)	GEOTEXTILE FOR DRAINAGE
	TONS	SQUARE YARDS
END BENT 1	210	235
END BENT 2	250	275



SECTION  
BERM RIP RAPPED



SECTION C-C

**V&M**  
Vaughn & Melton  
Consulting Engineers

Asheville, North Carolina  
828-253-2796

Boone, NC 828-355-9933  
Tri-Cities, TN 423-467-8401  
Knoxville, TN 865-546-5800  
Spartanburg, SC 864-574-4175  
Charleston, SC 843-974-5650  
Middleboro, KY 606-248-6600  
Atlanta, GA 770-627-3509

Raleigh, NC 919-977-9455  
Charlotte, NC 704-357-0488

Copyright © 2006 Vaughn & Melton, Inc. All Rights Reserved

PROJECT NO. U-5738  
ROWAN COUNTY  
STATION: 70+72.50 -L-

STATE OF NORTH CAROLINA  
DEPARTMENT OF TRANSPORTATION  
RALEIGH

STANDARD  
RIP RAP DETAILS



12/13/2021

ASSEMBLED BY : FRJ	DATE : 11/18	MAA/GM
CHECKED BY : CDB	DATE : 11/18	MAA/GM
DRAWN BY : REK 1/84	REV. 10/1/11	MAA/THC
CHECKED BY : RDU 1/84	REV. 12/21/11	
	REV. 12/17	

DOCUMENT NOT CONSIDERED  
FINAL UNLESS ALL  
SIGNATURES COMPLETED

REVISIONS						SHEET NO.
NO.	BY:	DATE:	NO.	BY:	DATE:	S-35
1			3			TOTAL SHEETS
2			4			39