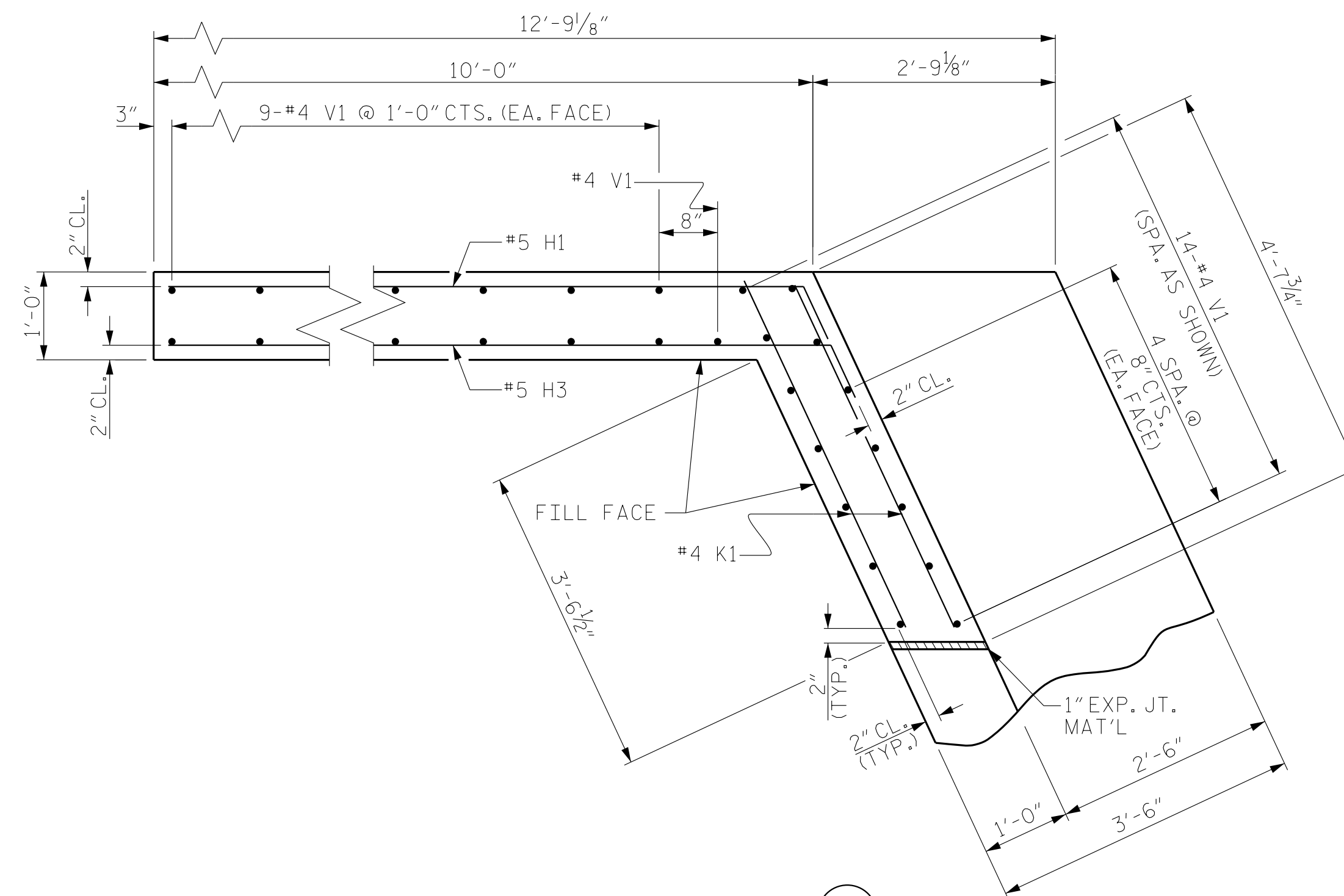
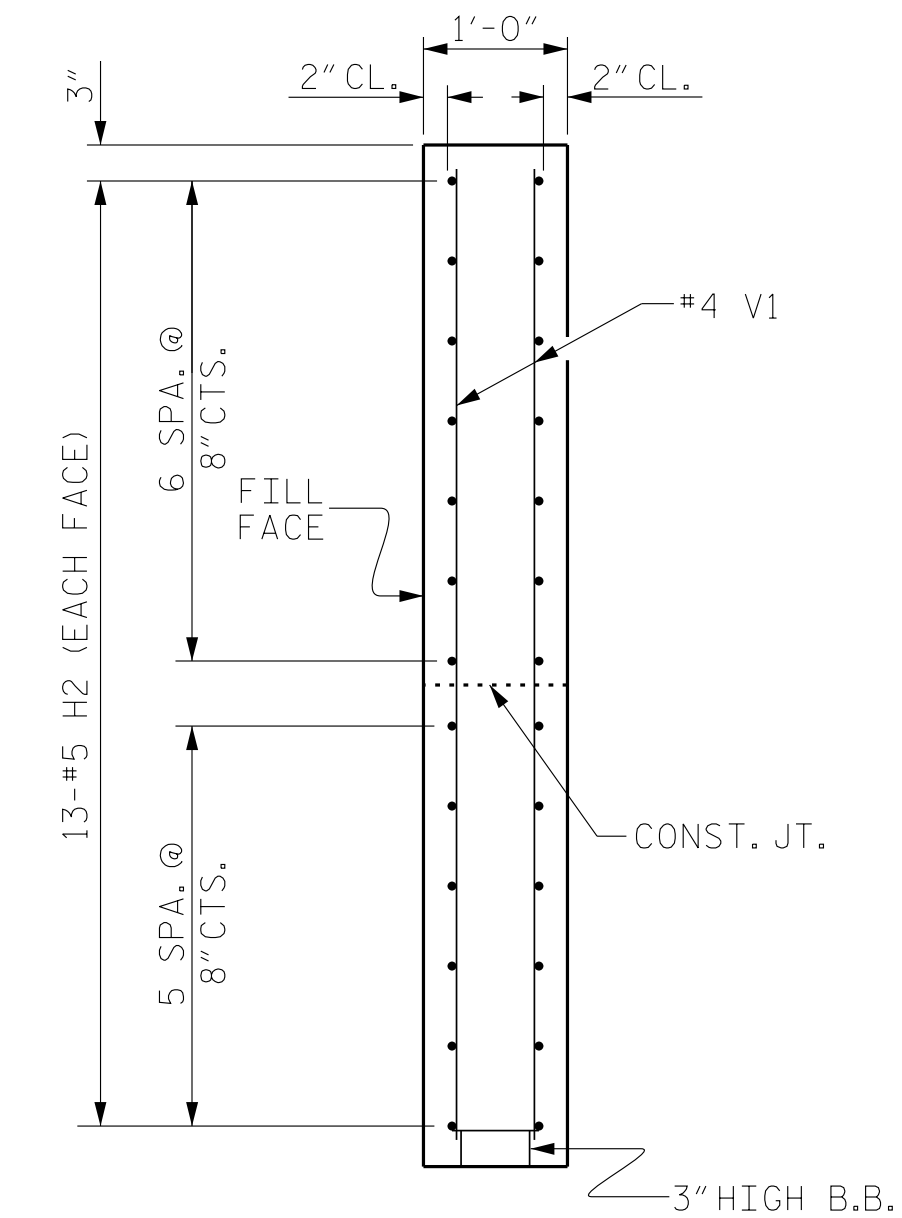


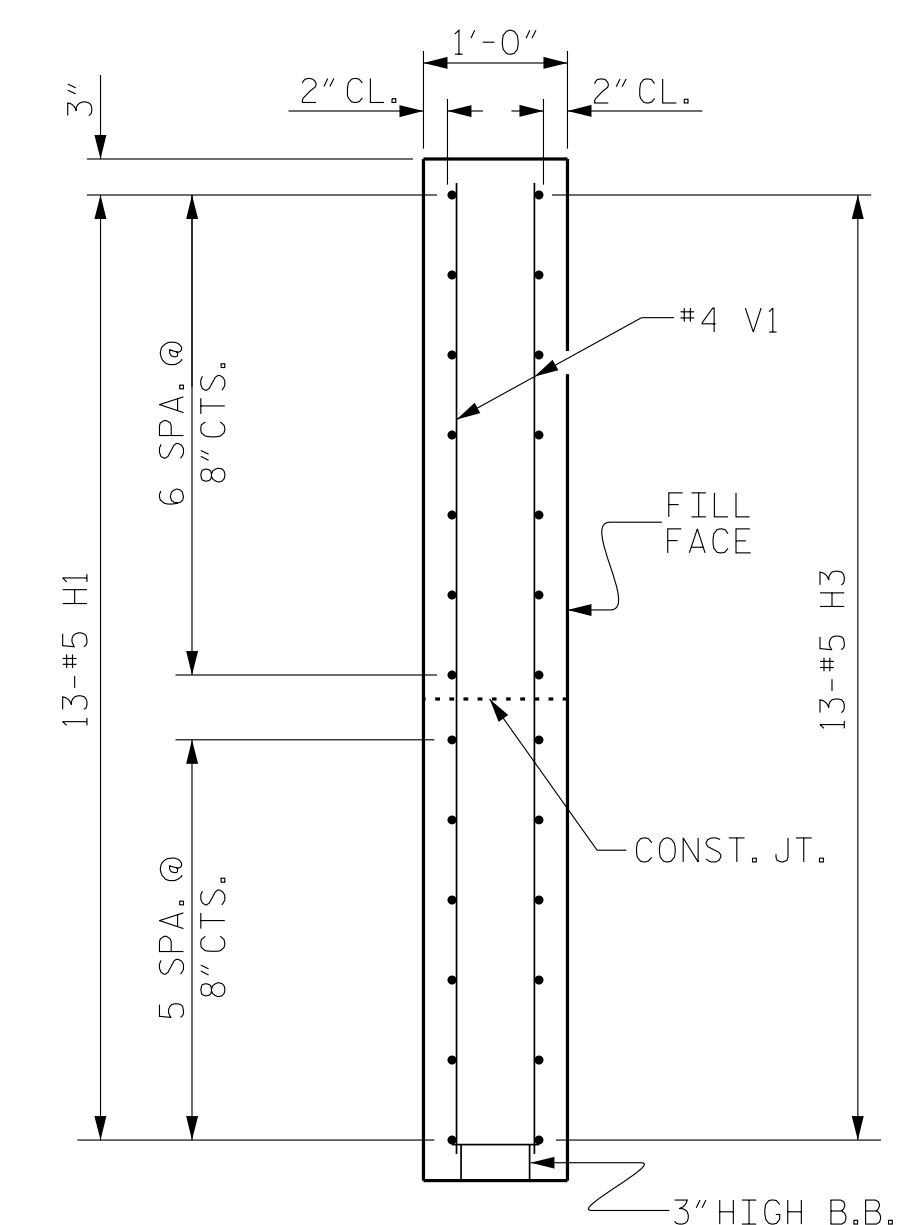
PLAN OF WING (W1)  
STAGE I



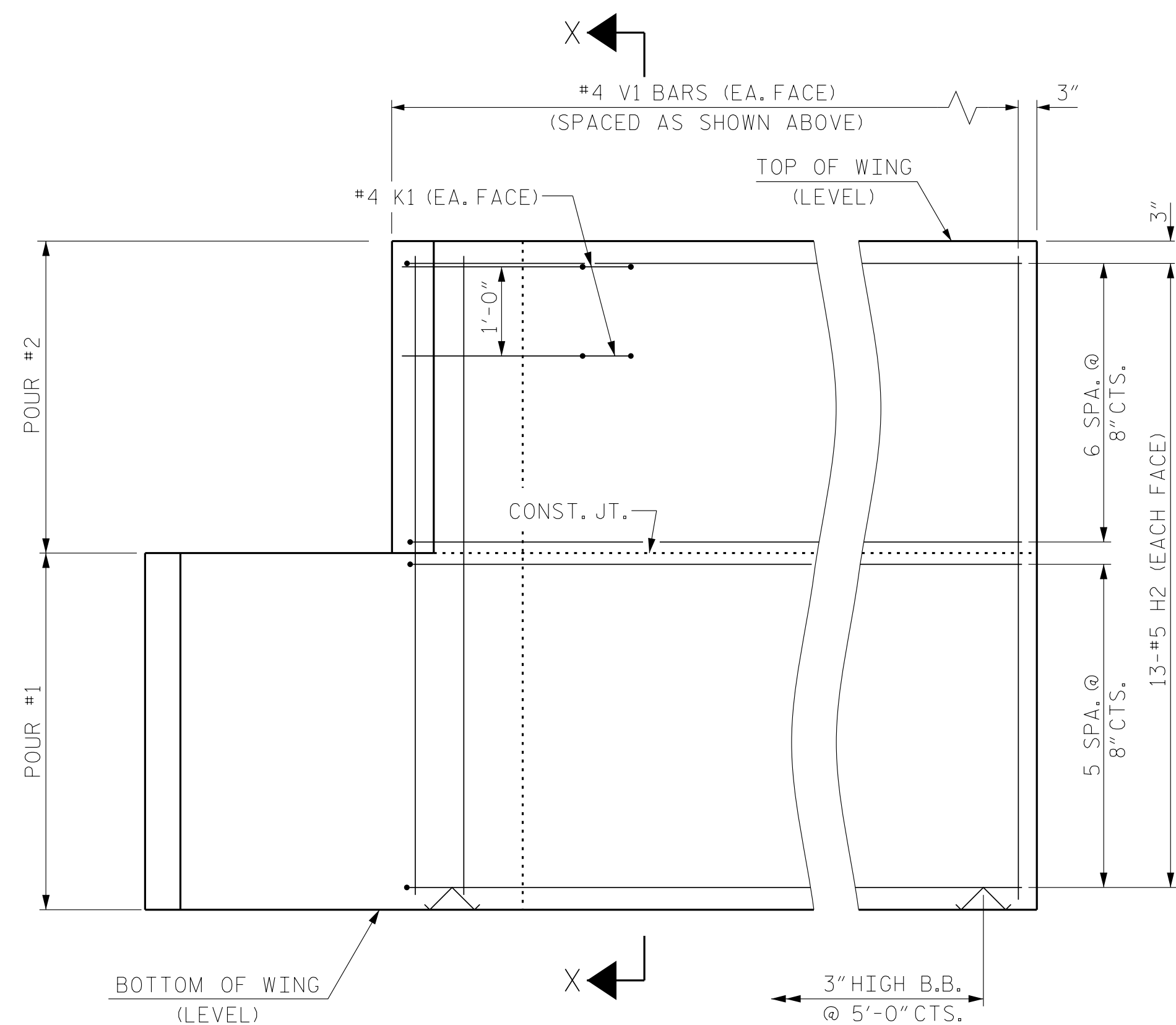
PLAN OF WING (W2)  
STAGE II



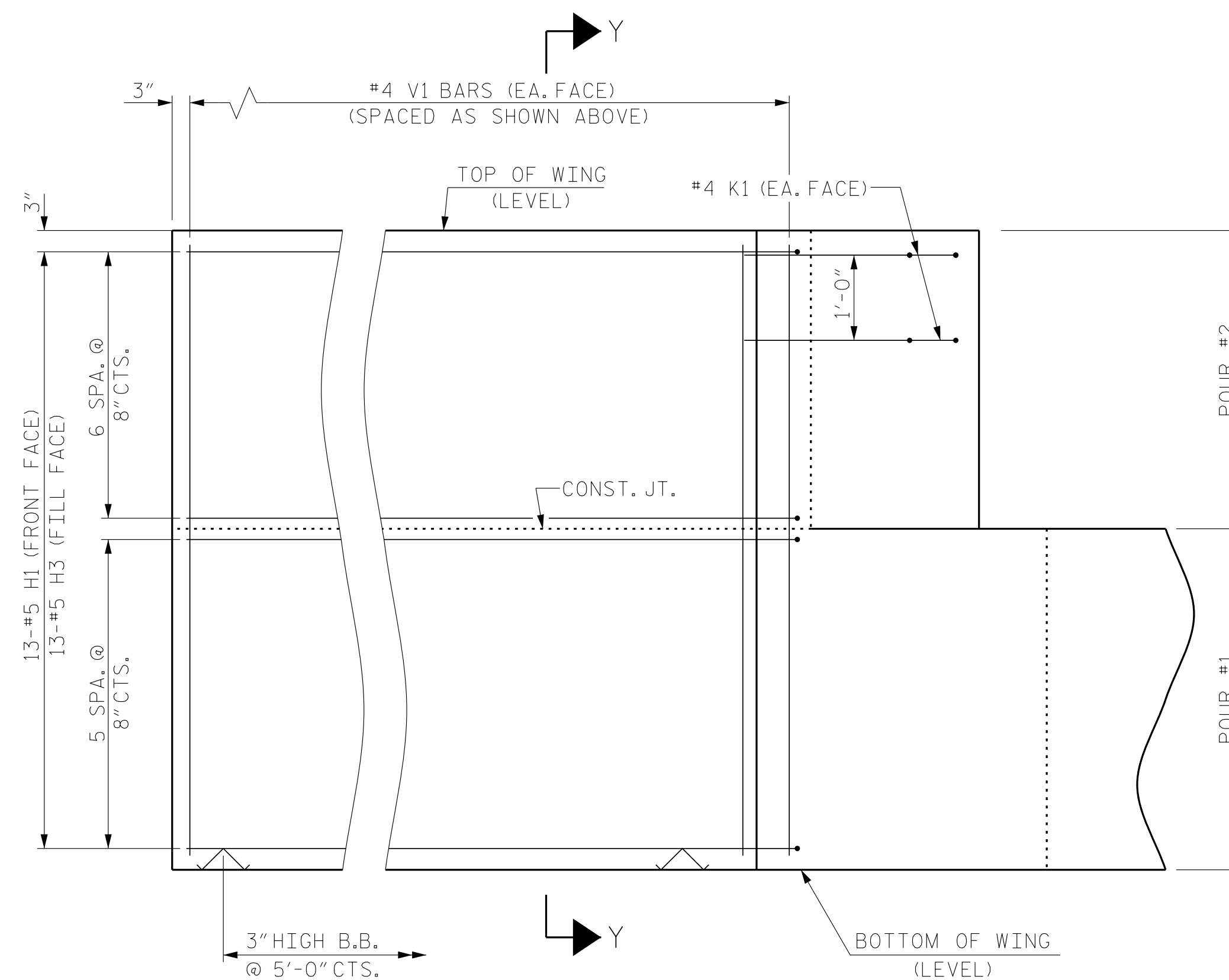
SECTION X-X



SECTION Y-Y



ELEVATION OF WING (W1)  
STAGE I



ELEVATION OF WING (W2)  
STAGE II

WING DETAILS

**V&M**  
Vaughn & Melton  
Consulting Engineers  
Asheville, North Carolina  
828-253-2196

- Boone, NC 828-355-9933
- Tri-Cities, TN 423-467-8400
- Knoxville, TN 865-546-5900
- Spartanburg, SC 864-574-4775
- Charleston, SC 843-974-5650
- Milledgeboro, KY 606-248-6600
- Raleigh, NC 919-977-9455
- Charlotte, NC 704-357-0488
- Atlanta, GA 770-621-3509

Copyright © 2006 Vaughn & Melton, Inc. All Rights Reserved.



PROJECT NO. U-5738  
ROWAN COUNTY  
STATION: 70+72.50 -L-  
SHEET 3 OF 4

STATE OF NORTH CAROLINA  
DEPARTMENT OF TRANSPORTATION  
RALEIGH

SUBSTRUCTURE  
END BENT 2  
WING DETAILS

DOCUMENT NOT CONSIDERED  
FINAL UNLESS ALL  
SIGNATURES COMPLETED

DWN. BY: FRJ DATE: 11/18  
CHKD. BY: CDB DATE: 11/18  
DES. EGR. OF RECORD: CDB DATE: 11/18

REVISIONS

NO.	BY:	DATE:	NO.	BY:	DATE:
1			3		
2			4		

SHEET NO.  
S-33  
TOTAL SHEETS  
39