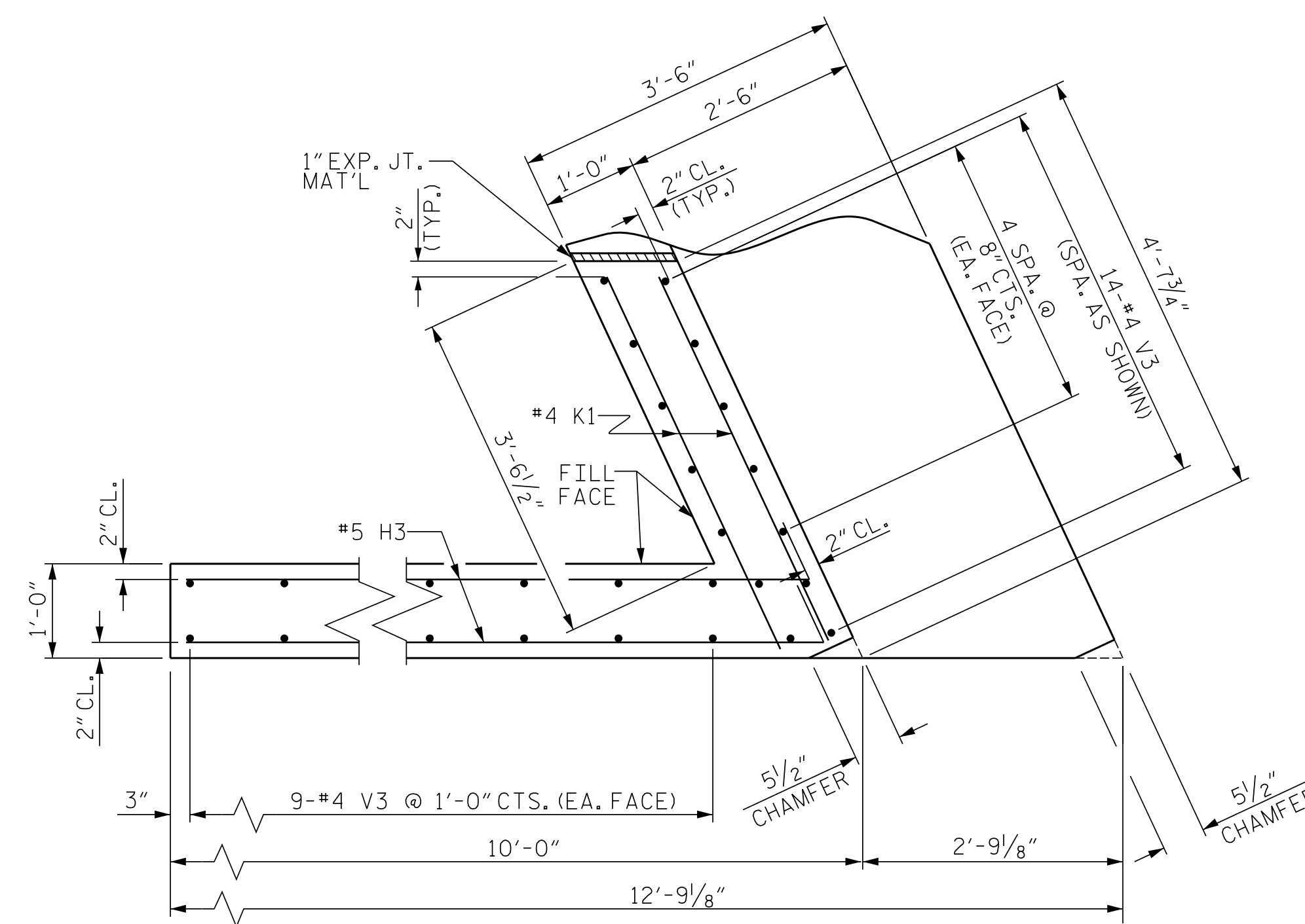
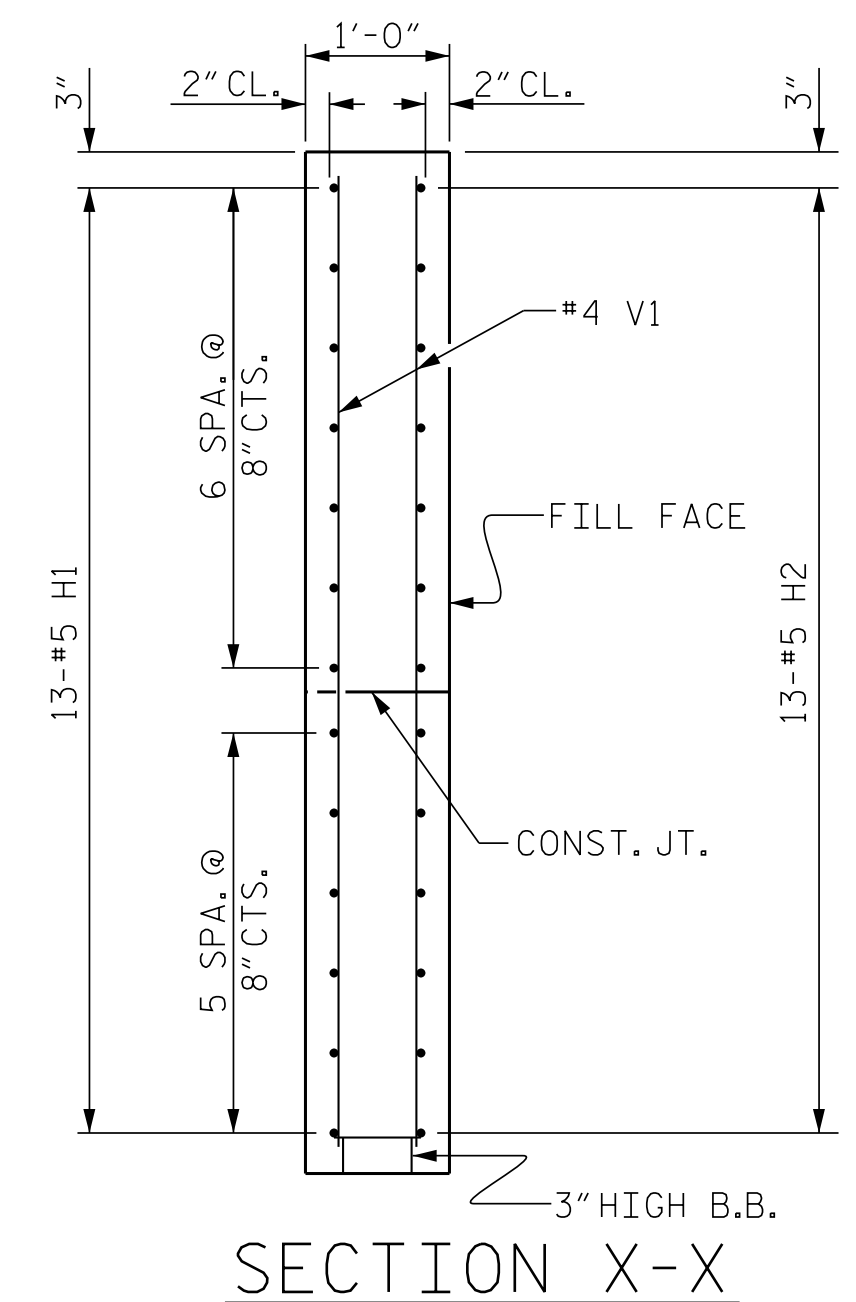


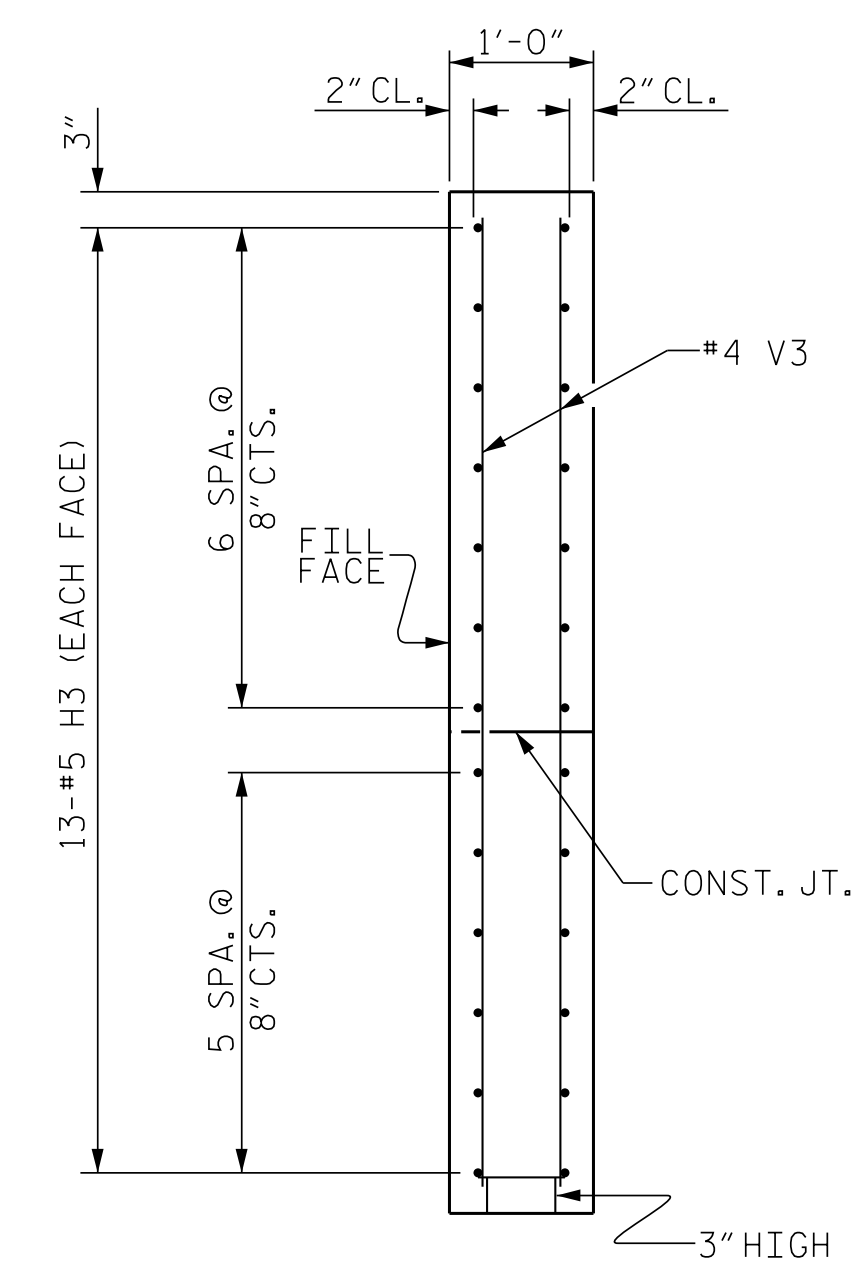
PLAN OF WING (W1)
STAGE I



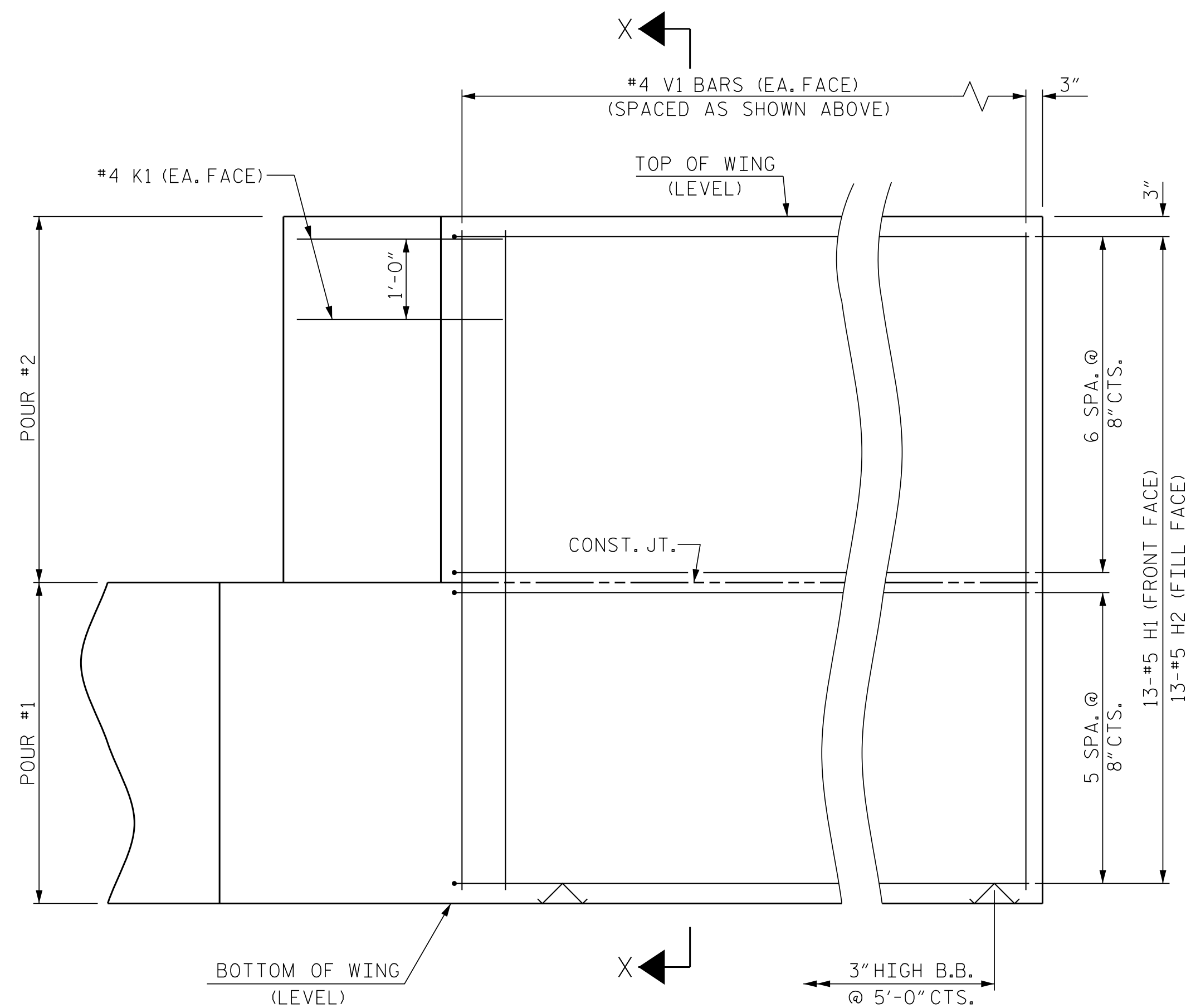
PLAN OF WING (W2)
STAGE II



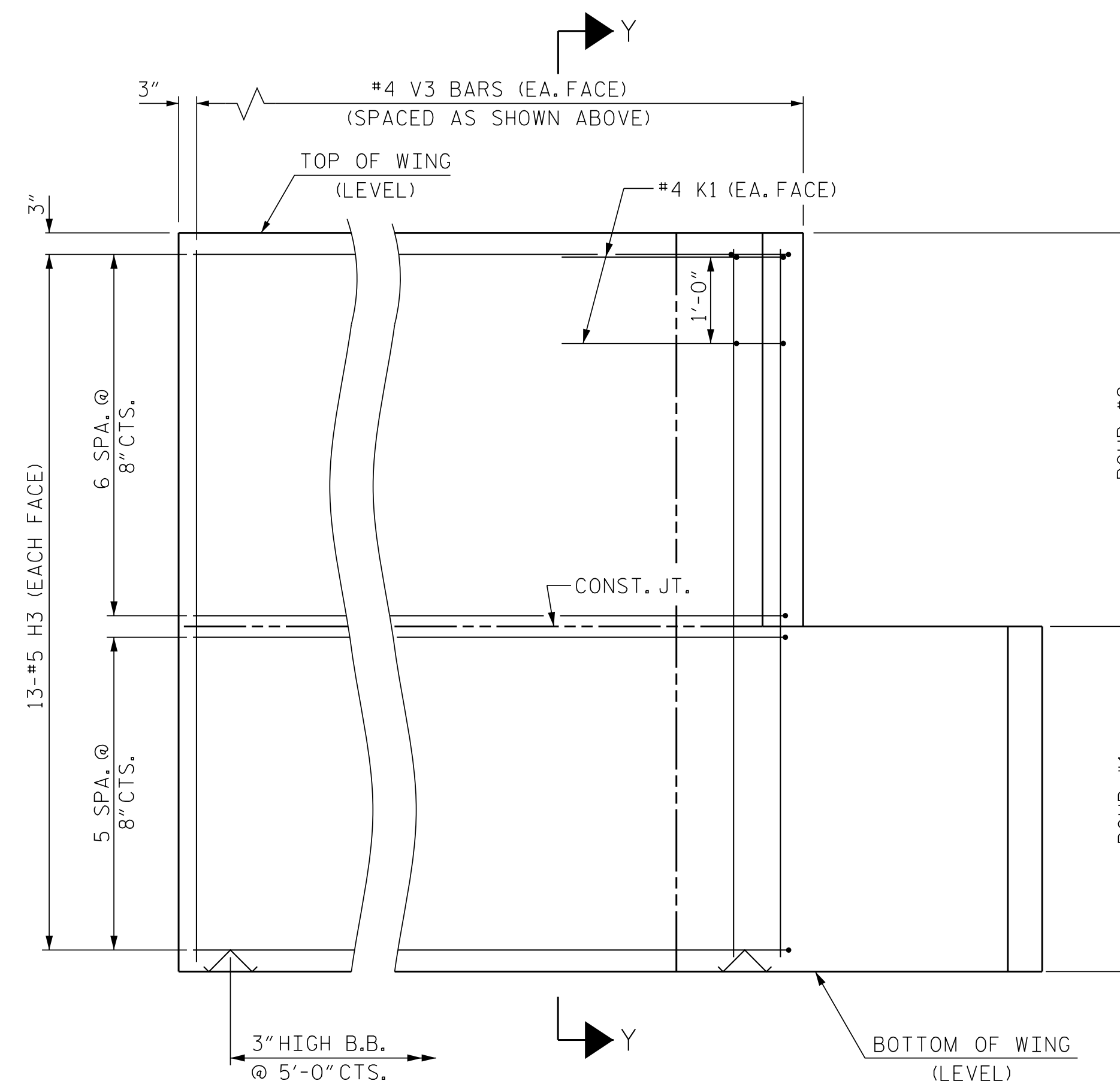
SECTION X-X



SECTION Y-Y



ELEVATION OF WING (W1)
STAGE I



ELEVATION OF WING (W2)
STAGE II

WING DETAILS

V&M
Vaughn & Melton
Consulting Engineers

Asheville, North Carolina
828-253-2196

- Boone, NC 828-355-9933
- Tri-Cities, TN 423-467-8400
- Knoxville, TN 865-546-5800
- Spartanburg, SC 864-574-4775
- Charleston, SC 843-974-5650
- Middlesboro, KY 606-248-6600
- Raleigh, NC 919-977-9455
- Charlotte, NC 704-357-0488
- Atlanta, GA 770-621-3509

Copyright © 2006 Vaughn & Melton, Inc. All Rights Reserved.



12/13/2021

PROJECT NO. U-5738

ROWAN COUNTY

STATION: 70+72.50 -L-

SHEET 3 OF 4

STATE OF NORTH CAROLINA
DEPARTMENT OF TRANSPORTATION
RALEIGH

SUBSTRUCTURE
END BENT 1
WING DETAILS

DOCUMENT NOT CONSIDERED
FINAL UNLESS ALL
SIGNATURES COMPLETED

DWN. BY: FRJ DATE: 11/18
CHKD. BY: CDB DATE: 11/18
DES. EGR. OF RECORD: CDB DATE: 11/18

REVISIONS						SHEET NO. S-26
NO.	BY:	DATE:	NO.	BY:	DATE:	
1			3			TOTAL SHEETS 39
2			4			