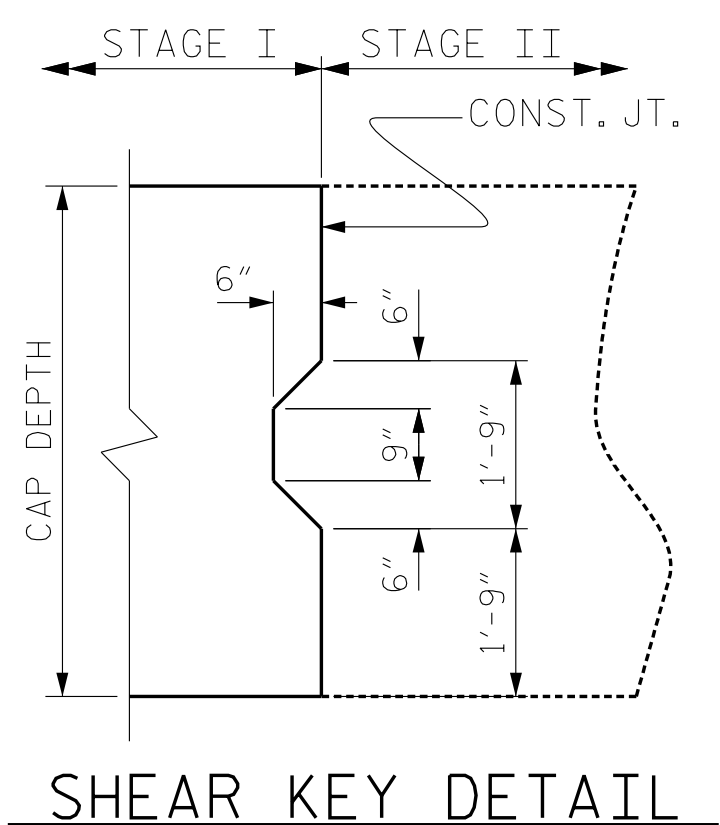
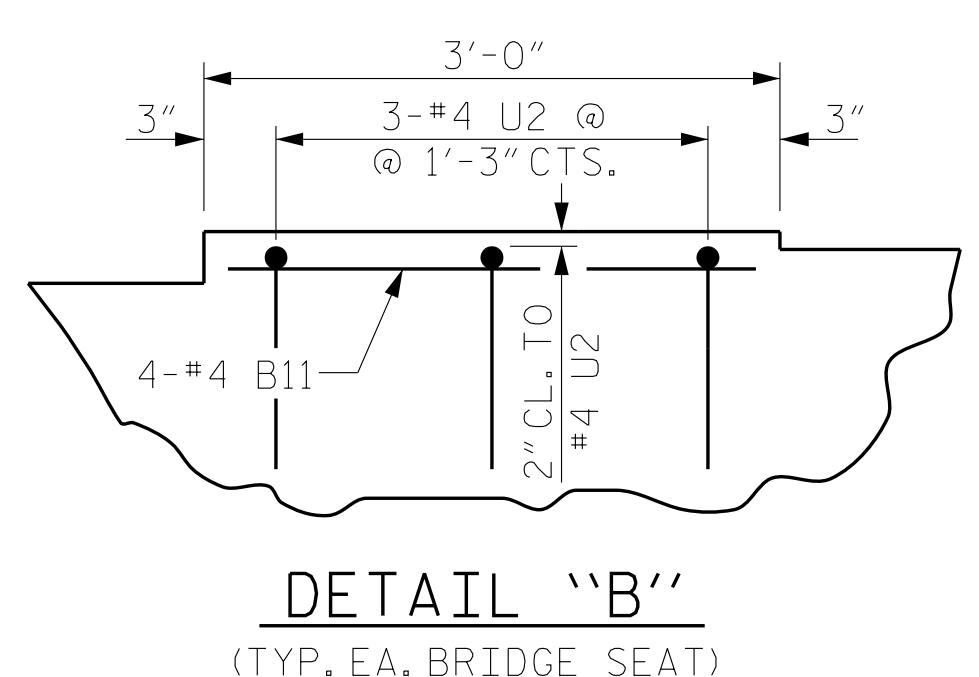
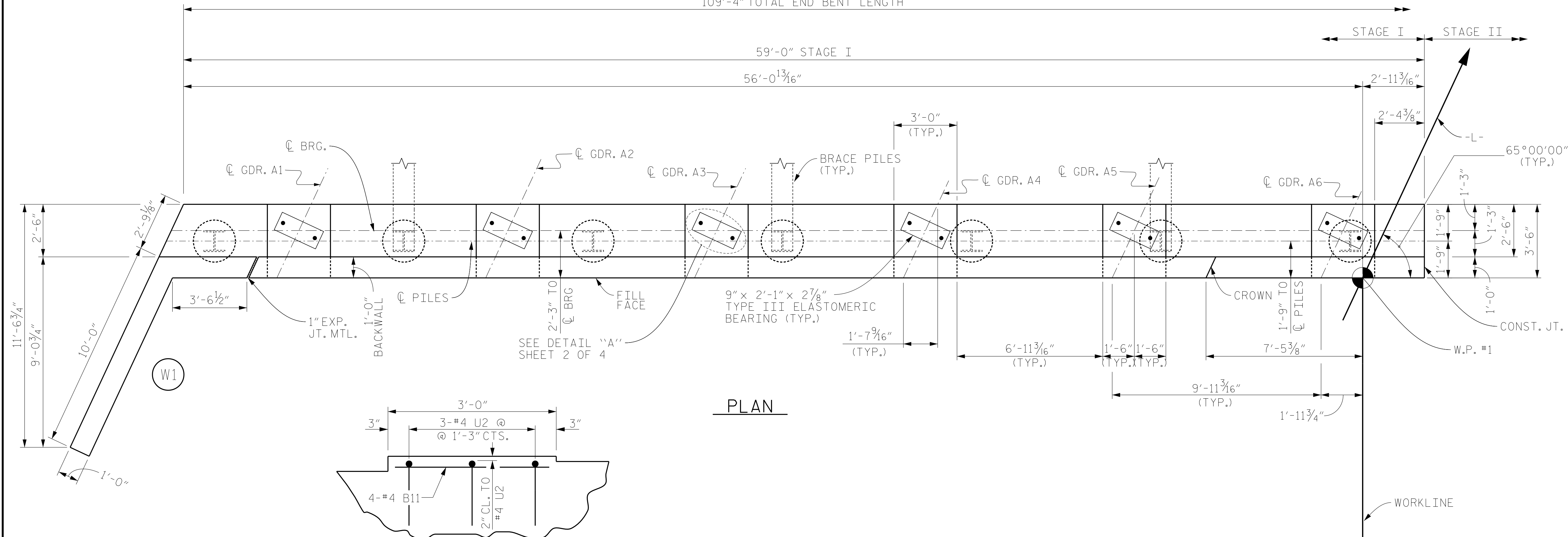


109'-4" TOTAL END BENT LENGTH

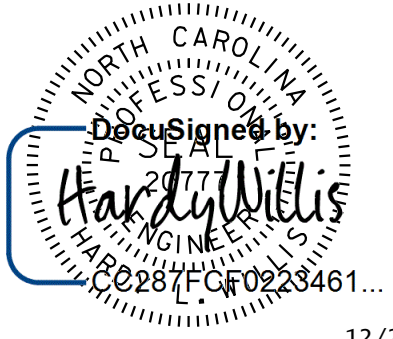
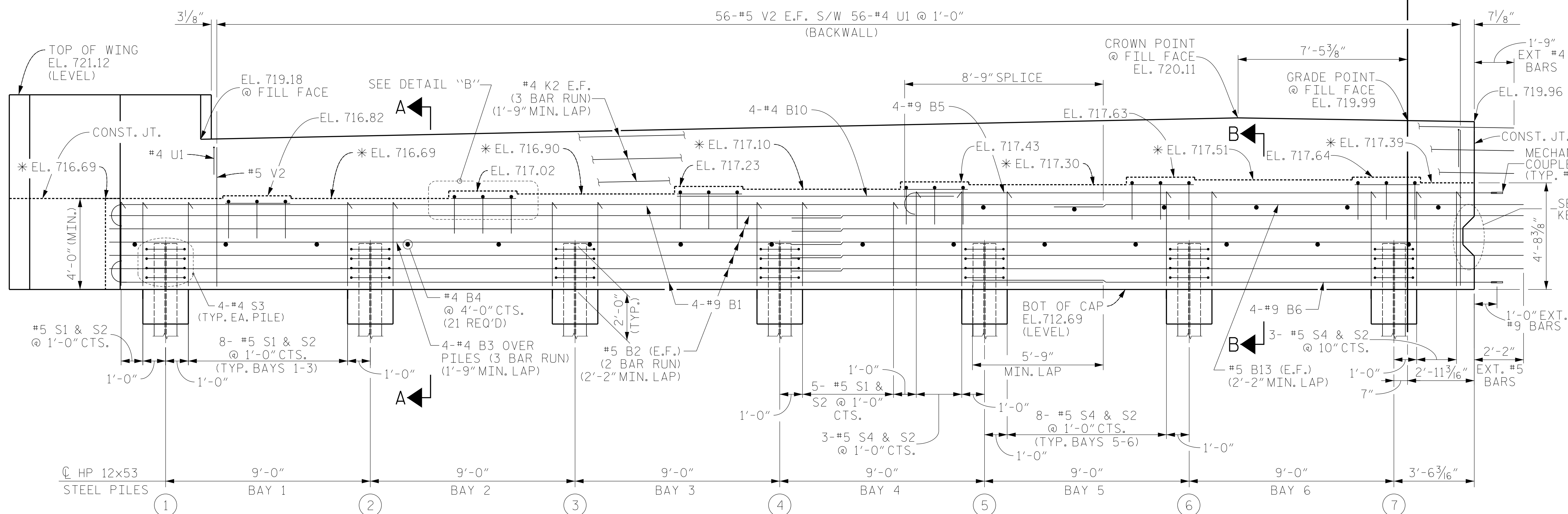


PLAN

DETAIL "B"
(TYP. EA. BRIDGE SEAT)

SHEAR KEY DETAIL

ELEVATION



V&M
Vaughn & Melton
Consulting Engineers
Asheville, North Carolina
828-253-2796
919-977-9455

- Boone, NC 828-355-9933
- Tri-Cities, TN 423-467-8401
- Knoxville, TN 865-546-5800
- Spartanburg, SC 864-574-4775
- Charleston, SC 843-974-5650
- Middlesboro, KY 606-248-6600
- Atlanta, GA 770-627-3509

Copyright © 2006 Vaughn & Melton, Inc. All Rights Reserved.

PROJECT NO. U-5738
ROWAN COUNTY
STATION: 70+72.50 -L-

SHEET 1 OF 4
STATE OF NORTH CAROLINA
DEPARTMENT OF TRANSPORTATION
RALEIGH
SUBSTRUCTURE
END BENT 1
STAGE I

DOCUMENT NOT CONSIDERED FINAL UNLESS ALL SIGNATURES COMPLETED		DWN. BY: FRJ	DATE: 11/18	REVISIONS		SHEET NO. S-24
		CHKD. BY: CDB	DATE: 11/18	NO.	BY:	TOTAL SHEETS 39
		DES. EGR. OF RECORD: CDB	DATE: 11/18	1		
				2		
				3		
				4		