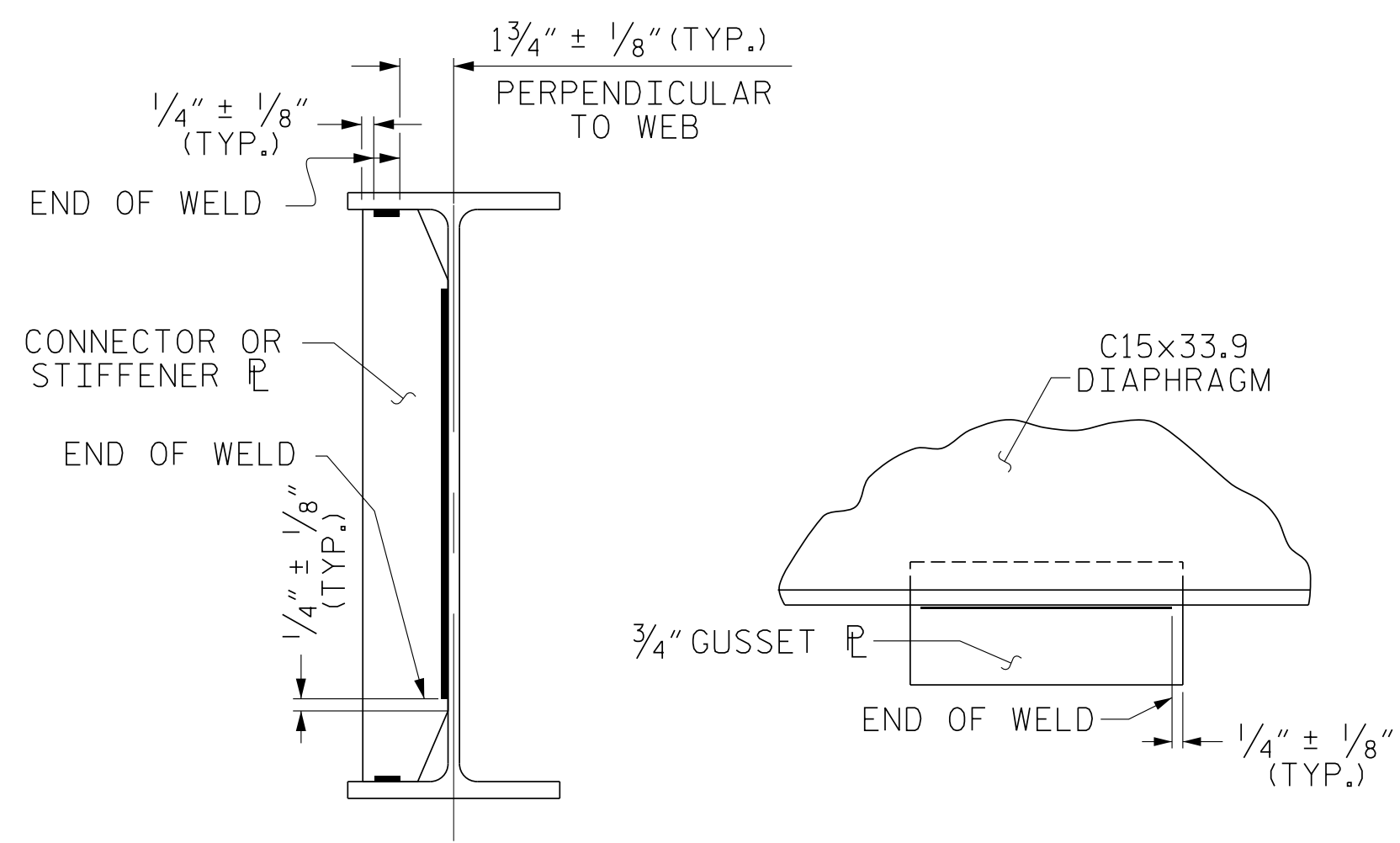
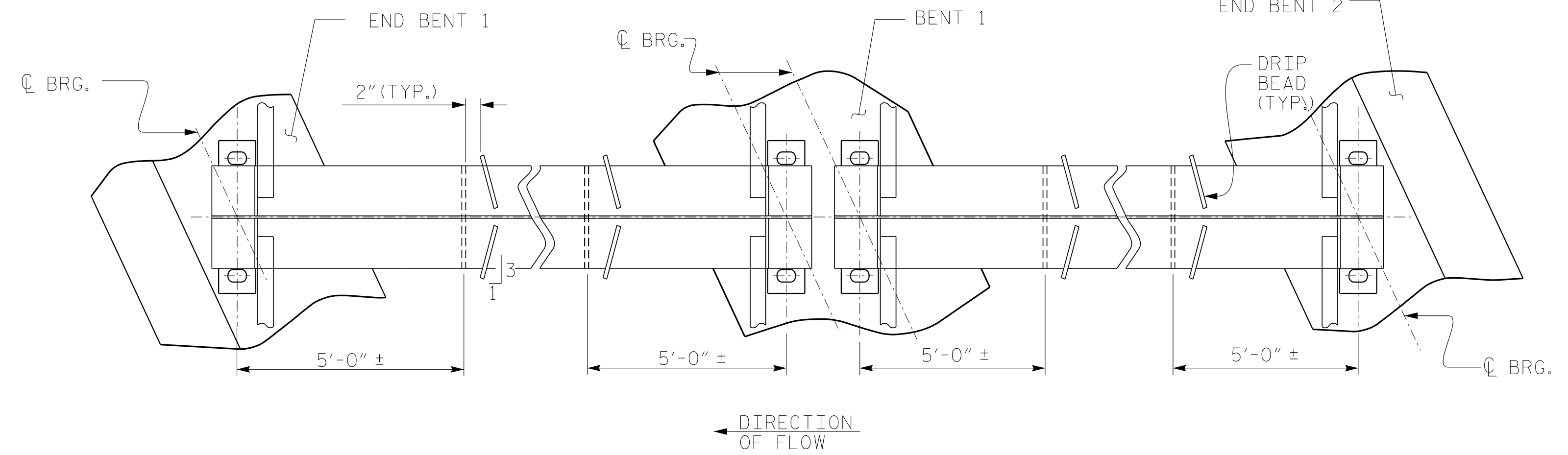


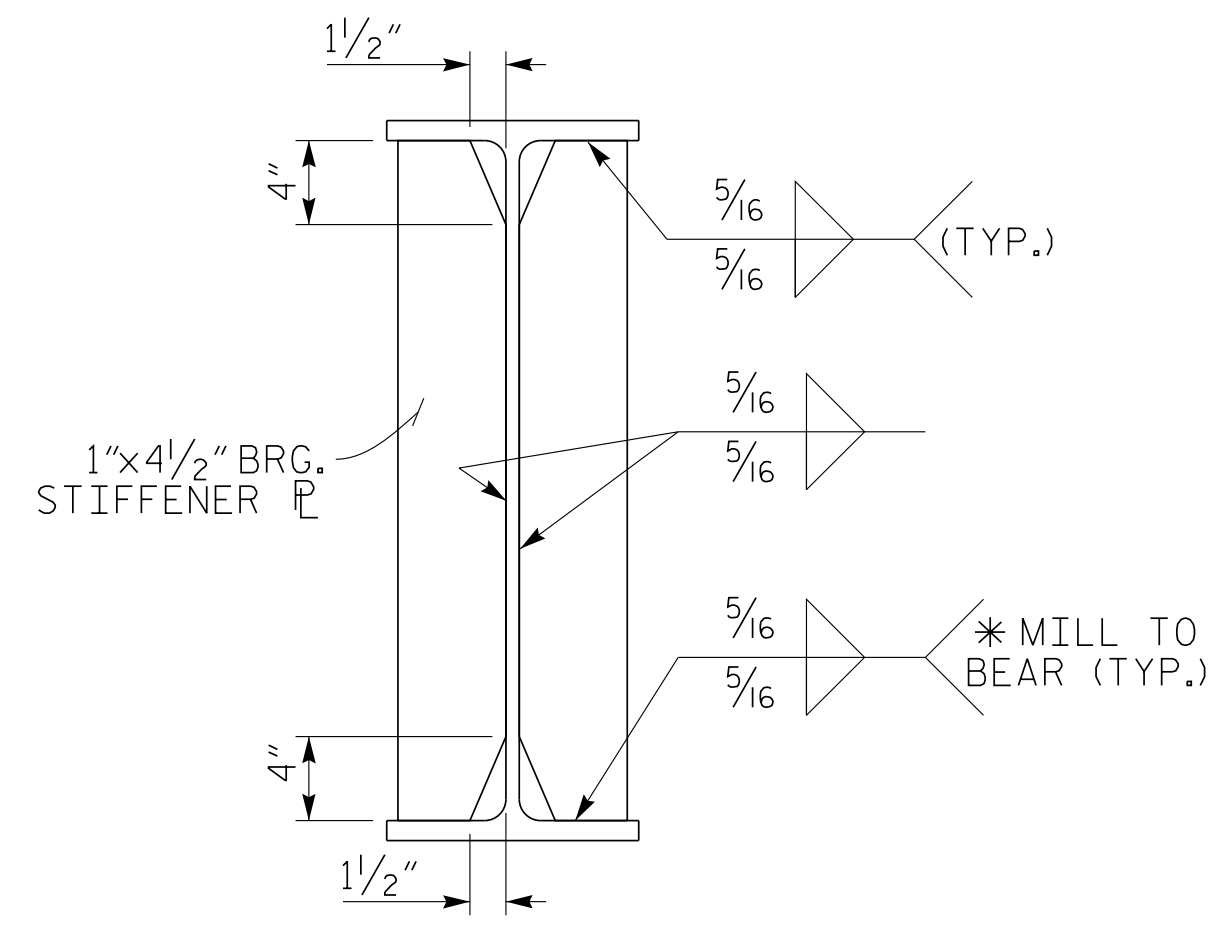
CONNECTOR PLATE
SPAN A



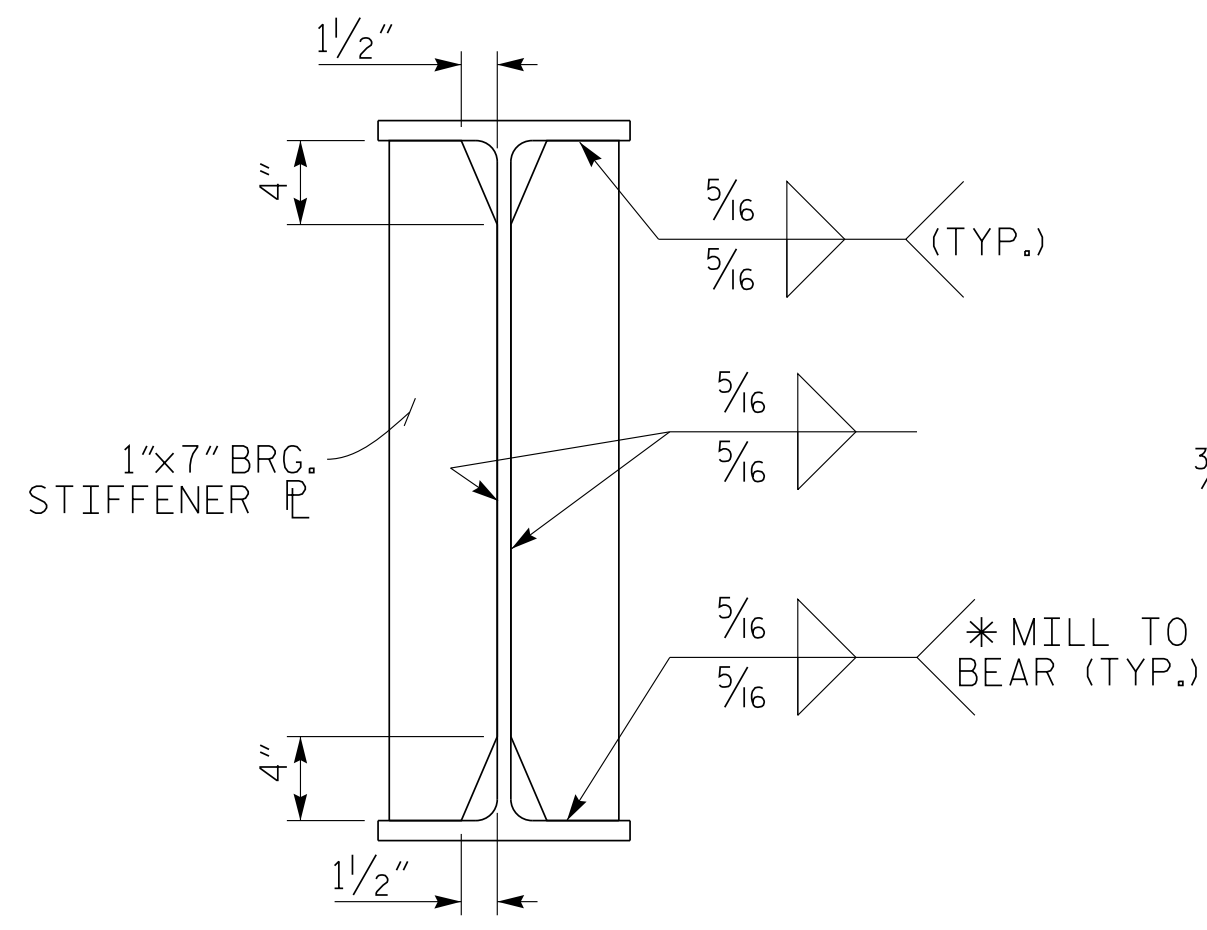
TYPICAL STIFFENER OR
CONNECTOR PLATE CONNECTION
TYPICAL GUSSET
PLATE CONNECTION
WELD TERMINATION DETAILS



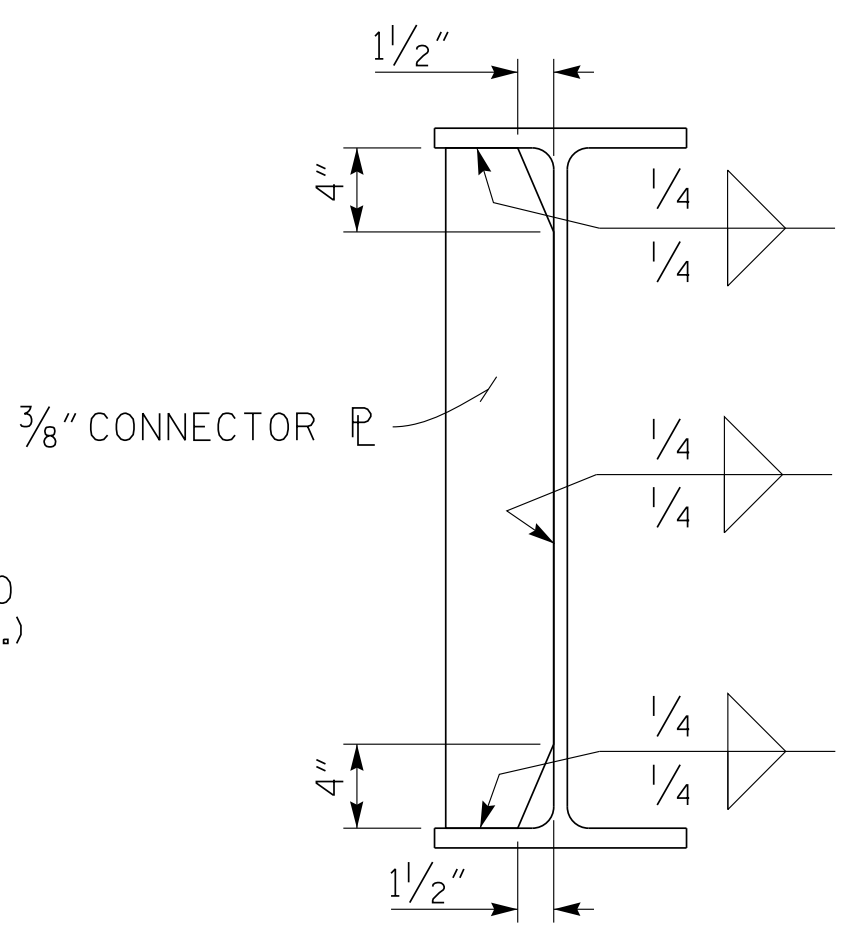
PART PLAN - BOTTOM FLANGE



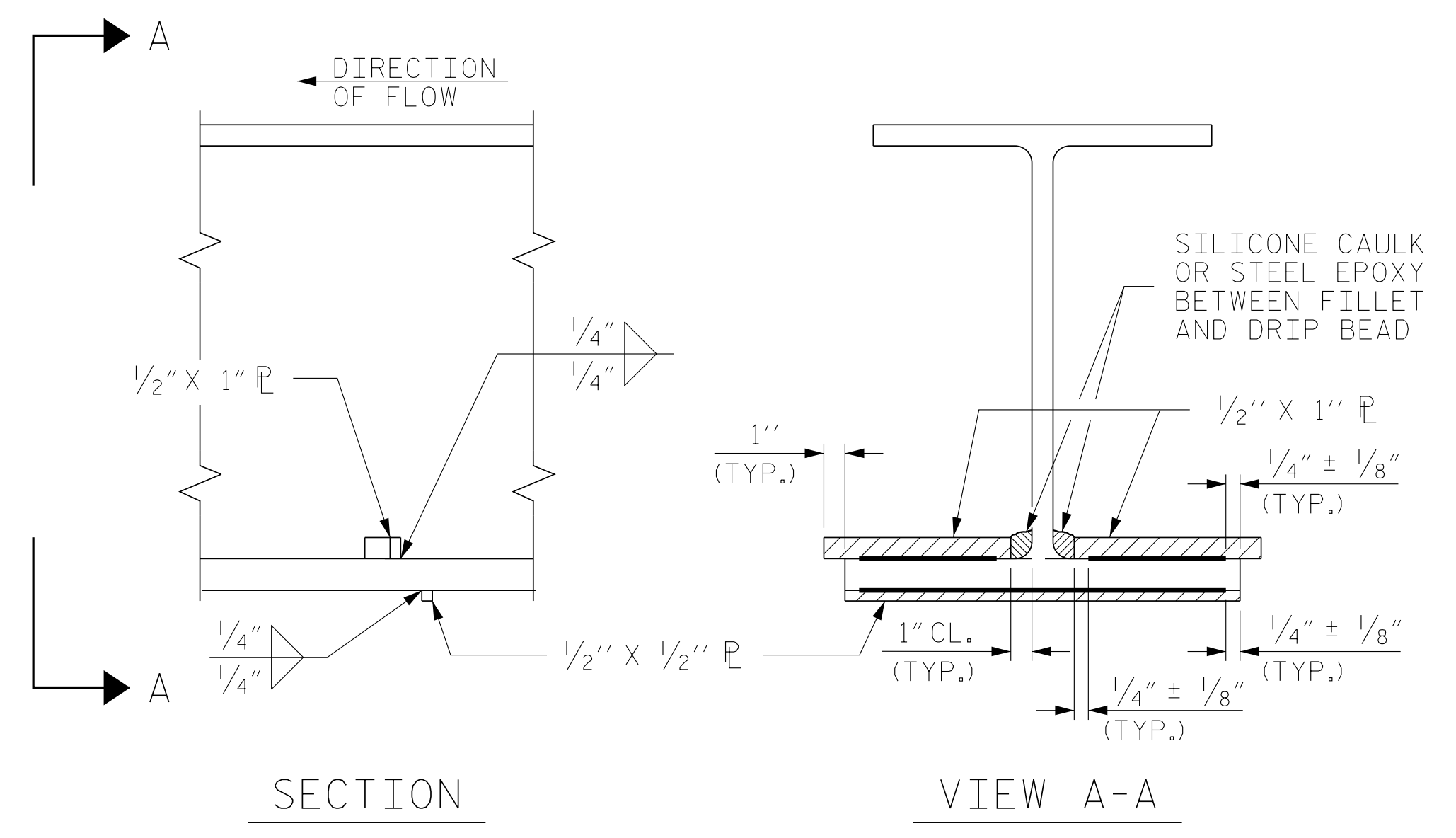
BEARING STIFFENER (SPAN A)
*WELD ONLY WHEN BEARING
STIFFENER IS ALSO CONNECTOR PLATE



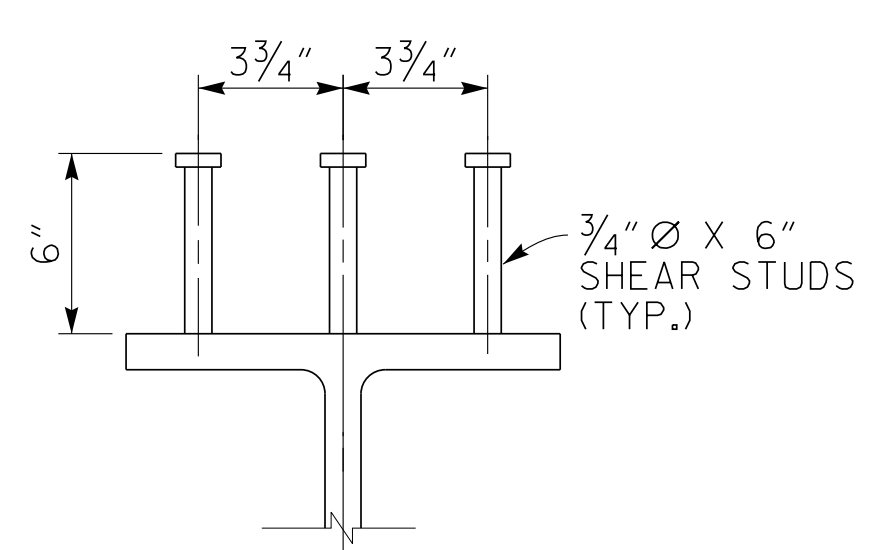
BEARING STIFFENER (SPAN B)
*WELD ONLY WHEN BEARING
STIFFENER IS ALSO CONNECTOR PLATE



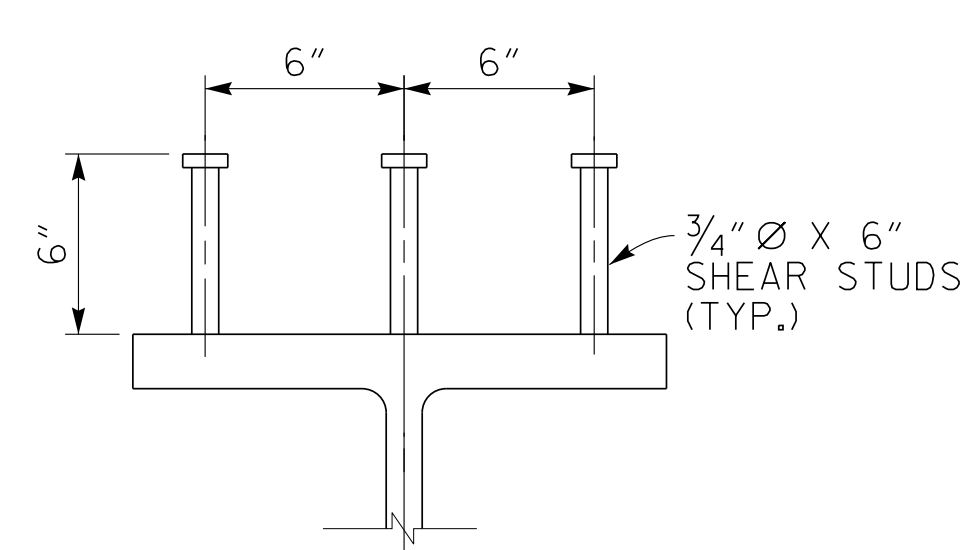
CONNECTOR PLATE
SPAN B



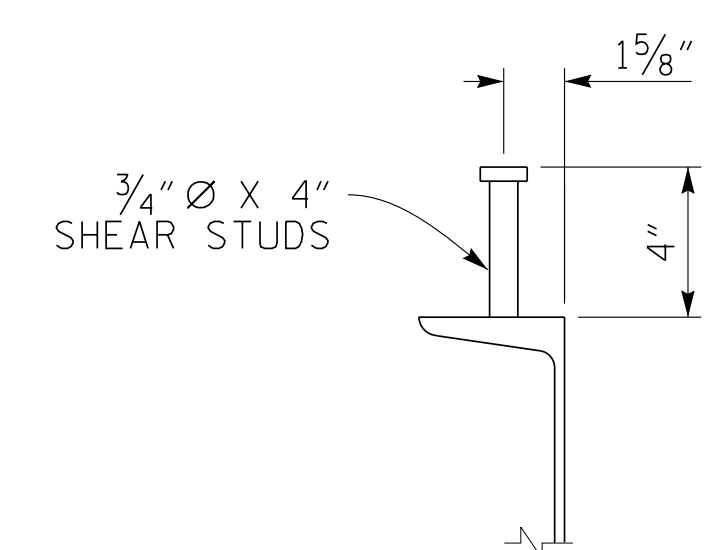
DRIP BEAD DETAILS



W30x116 SHEAR STUD DETAIL



W30x261 SHEAR STUD DETAIL



C15x33.9 SHEAR STUD DETAIL
TYP. ONLY @ END BENT DIAPHRAGM (D1)

V&M
Vaughn & Melton
Consulting Engineers
Asheville, North Carolina
828-253-2796

- Boone, NC 828-355-9933
- Tri-Cities, TN 423-467-8401
- Knoxville, TN 865-546-5800
- Spartanburg, SC 864-574-4775
- Charleston, SC 843-974-5650
- Middleboro, KY 606-248-5600
- Raleigh, NC 919-977-9455
- Charlotte, NC 704-357-0488
- Atlanta, GA 770-627-3509

Copyright © 2006 Vaughn & Melton, Inc. All Rights Reserved



12/13/2021

PROJECT NO. U-5738
ROWAN COUNTY
STATION: 70+72.50 -L-
SHEET 3 OF 3

STATE OF NORTH CAROLINA
DEPARTMENT OF TRANSPORTATION
RALEIGH
SUPERSTRUCTURE
STRUCTURAL STEEL
DETAILS

DOCUMENT NOT CONSIDERED
FINAL UNLESS ALL
SIGNATURES COMPLETED

DWN. BY: FRJ	DATE: 11/18
CHKD. BY: CDB	DATE: 11/18
DES. EGR. OF RECORD: CDB	DATE: 11/18

REVISIONS						SHEET NO.	
NO.	BY:	DATE:	NO.	BY:	DATE:	S-15	
1			3			TOTAL SHEETS	
2			4			39	