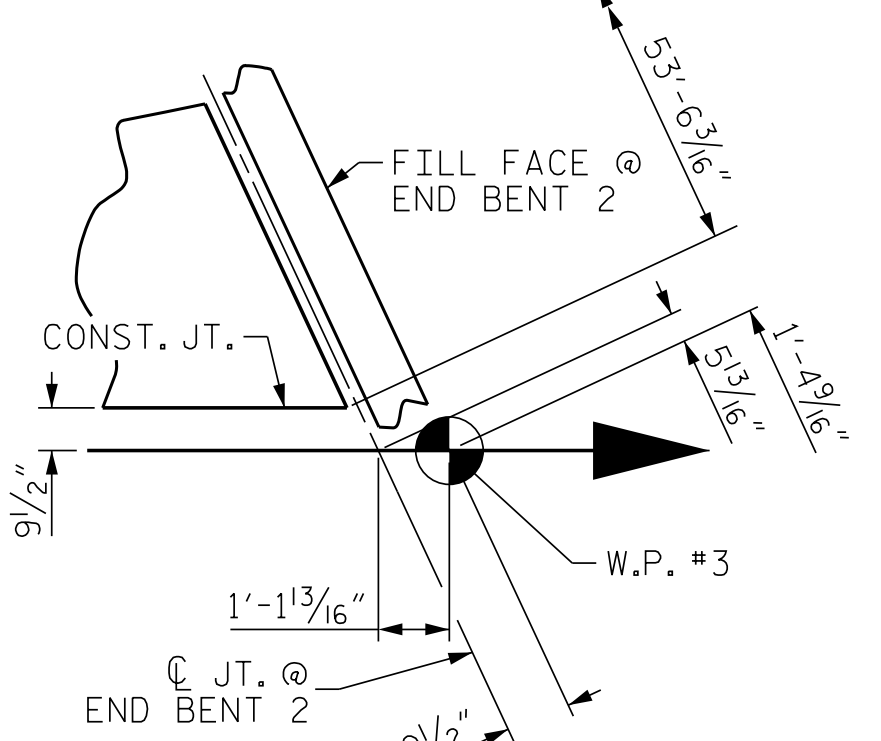
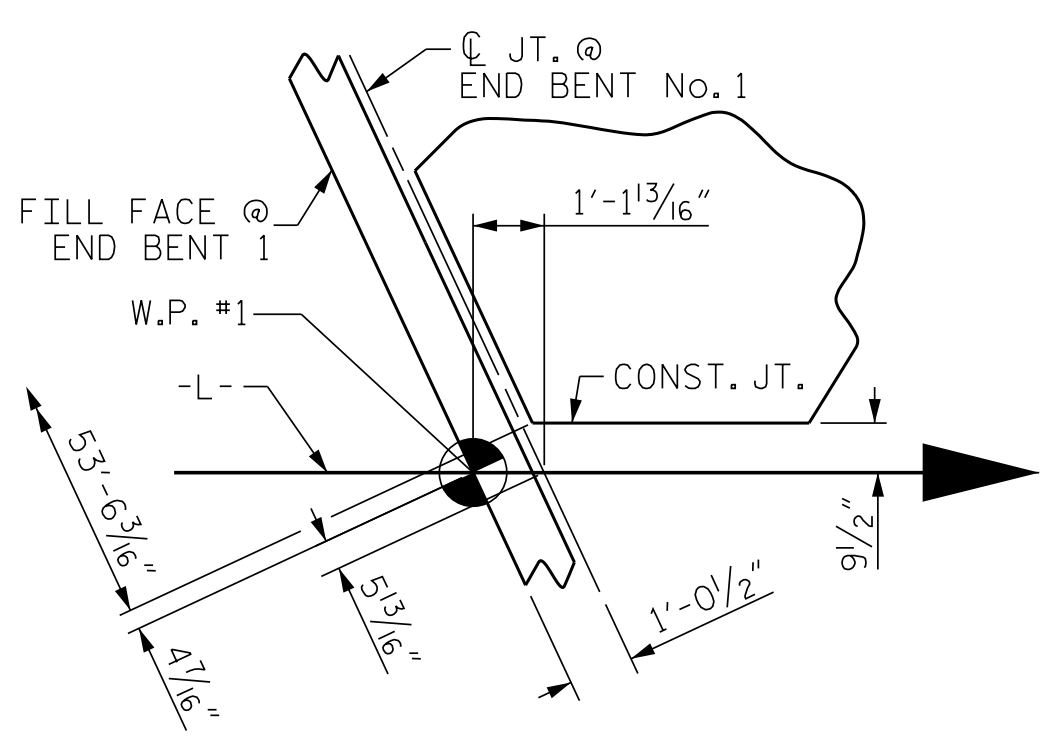


PLAN OF SPAN - STAGE I

NOTES

- SIDEWALK, PARAPET RAIL AND RAISED MEDIAN NOT SHOWN FOR CLARITY.
- FOR BARS IN SIDEWALK SEE "SECTION THRU SIDEWALK" AND "PLAN OF SIDEWALK"
- FOR BARS IN RAISED MEDIAN SEE "SECTION THRU RAISED MEDIAN" AND "PLAN OF RAISED MEDIAN"
- FOR BARS IN PARAPET RAIL SEE THREE BAR RAIL DETAILS.
- FOR TRANSVERSE CONSTRUCTION JOINT DETAILS SEE "POUR SEQUENCE" SHEET.



V&M
Vaughn & Melton
Consulting Engineers

Asheville, North Carolina
828-253-2796

Raleigh, NC 919-977-9455
Charlotte, NC 704-357-0488
Atlanta, GA 770-627-3509

Boone, NC 828-355-9933
Tri-Cities, TN 423-467-8401
Knoxville, TN 865-546-5800
Spartanburg, SC 864-574-4775
Charleston, SC 843-974-5650
Middlesboro, KY 606-248-6600

Copyright © 2006 Vaughn & Melton, Inc. All Rights Reserved



12/13/2021

PROJECT NO. U-5738
ROWAN COUNTY
STATION: 70+72.50 -L-

STATE OF NORTH CAROLINA
DEPARTMENT OF TRANSPORTATION
RALEIGH

SUPERSTRUCTURE
PLAN OF SPANS
STAGE I

DOCUMENT NOT CONSIDERED FINAL UNLESS ALL SIGNATURES COMPLETED

DWN. BY: FRJ DATE: 11/18
CHKD. BY: CDB DATE: 11/18
DES. EGR. OF RECORD: CDB DATE: 11/18

REVISIONS						SHEET NO. S-8
NO.	BY:	DATE:	NO.	BY:	DATE:	
1			3			TOTAL SHEETS 39
2			4			