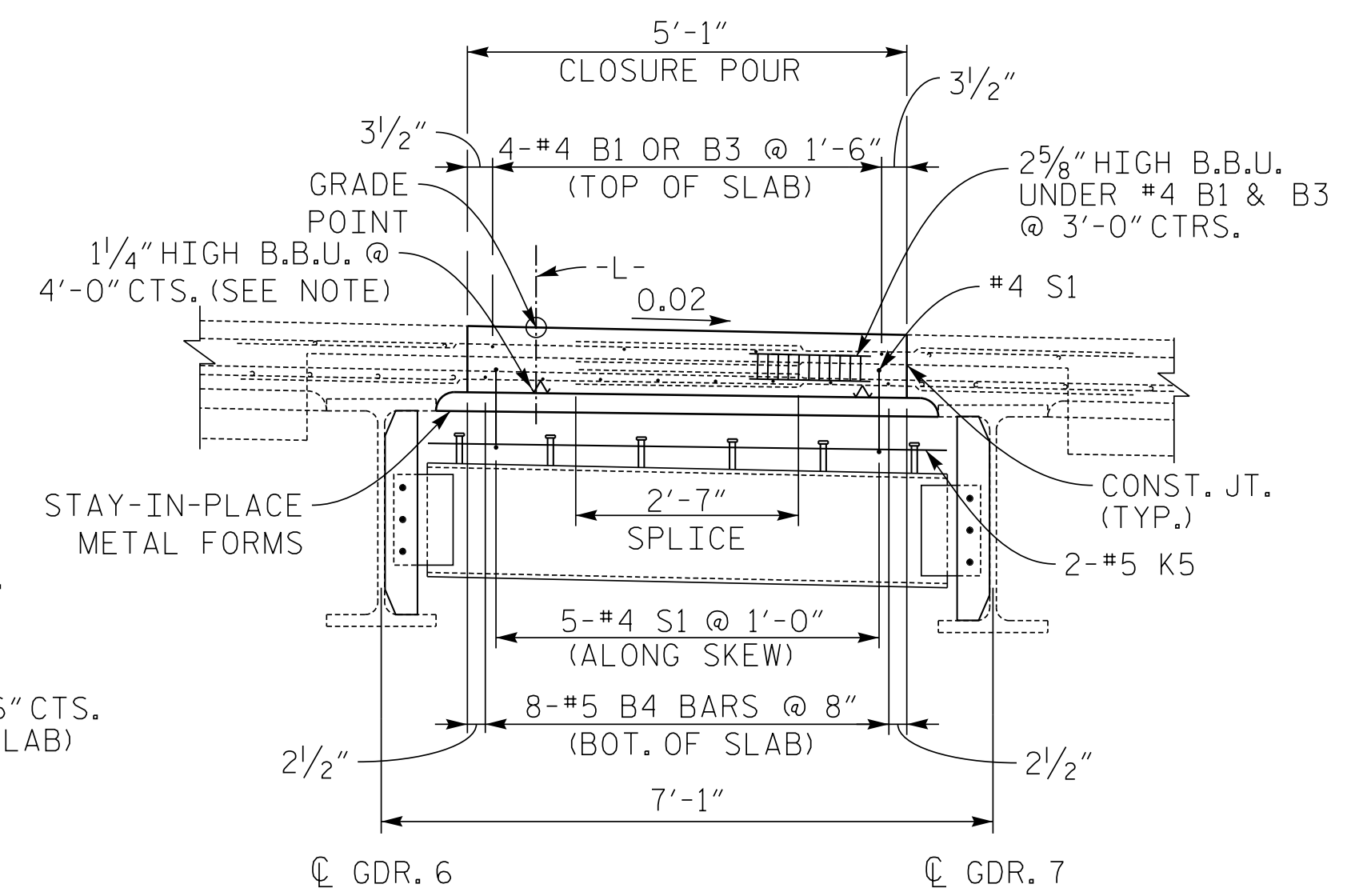
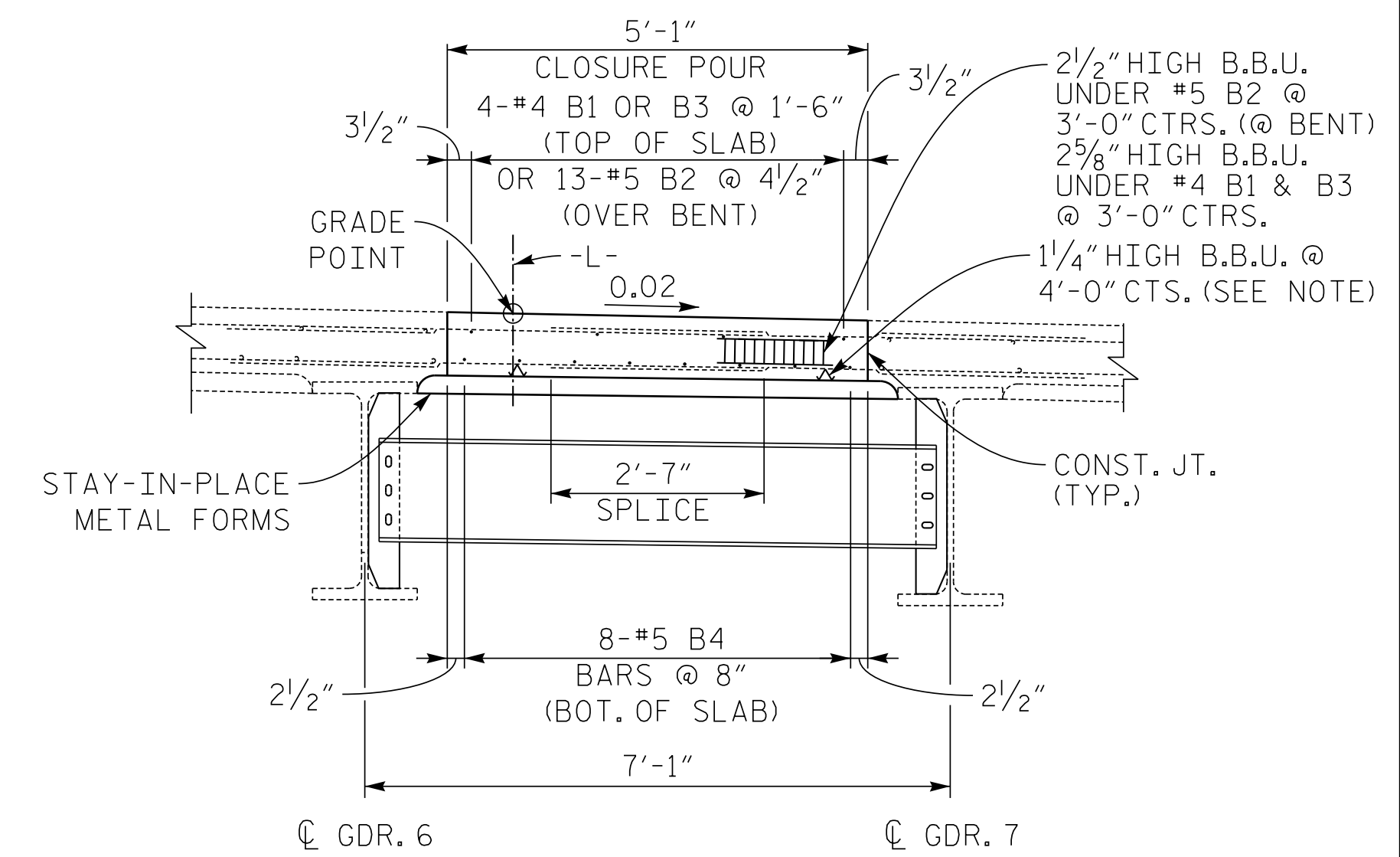


HALF SECTION (STAGE I)
SHOWING END BENT DIAPHRAGMS (D1)

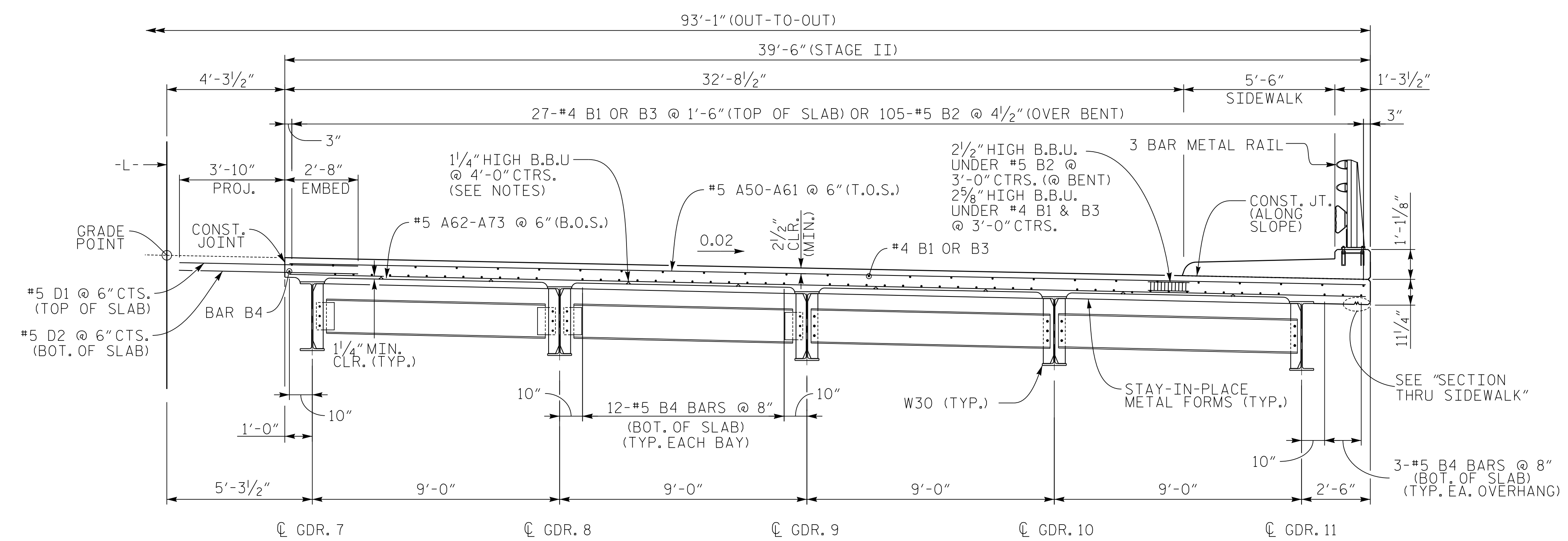
DIAPHRAGM DEPICTIONS SHOWN IN THE
HALF-SECTIONS, ARE TYPICAL FOR EACH STAGE



CLOSURE SECTION (STAGE III)
SHOWING END BENT DIAPHRAGMS (D4)



CLOSURE SECTION (STAGE III)
SHOWING INTERMEDIATE DIAPHRAGMS (D3)
(BENT DIAPHRAGMS (D4) SIMILAR
WITH ADDITION OF GUSSET PLATES)



SHOWING BENT DIAPHRAGMS (D1)

INTERMEDIATE DIAPHRAGMS (D2)

HALF SECTION (STAGE II)

V&M
Vaughn & Melton
Consulting Engineers
Asheville, North Carolina
828-253-2796

- Boone, NC 828-355-9933
- Tri-Cities, TN 423-467-8401
- Knoxville, TN 865-546-5800
- Spartanburg, SC 864-574-4775
- Charleston, SC 843-974-5650
- Middlesboro, KY 606-248-6600
- Raleigh, NC 919-977-9455
- Charlotte, NC 704-357-0488
- Atlanta, GA 770-627-3509

Copyright © 2006 Vaughn & Melton, Inc. All Rights Reserved



PROJECT NO. U-5738
ROWAN COUNTY
STATION: 70+72.50 -L-
SHEET 1 OF 2

STATE OF NORTH CAROLINA
DEPARTMENT OF TRANSPORTATION
RALEIGH

SUPERSTRUCTURE
TYPICAL SECTION

DOCUMENT NOT CONSIDERED
FINAL UNLESS ALL
SIGNATURES COMPLETED

DWN. BY: FRJ	DATE: 11/18
CHKD. BY: CDB	DATE: 11/18
DES. EGR. OF RECORD: CDB	DATE: 11/18

REVISIONS					
NO.	BY:	DATE:	NO.	BY:	DATE:
1			3		
2			4		

SHEET NO.
S-6
TOTAL SHEETS
39