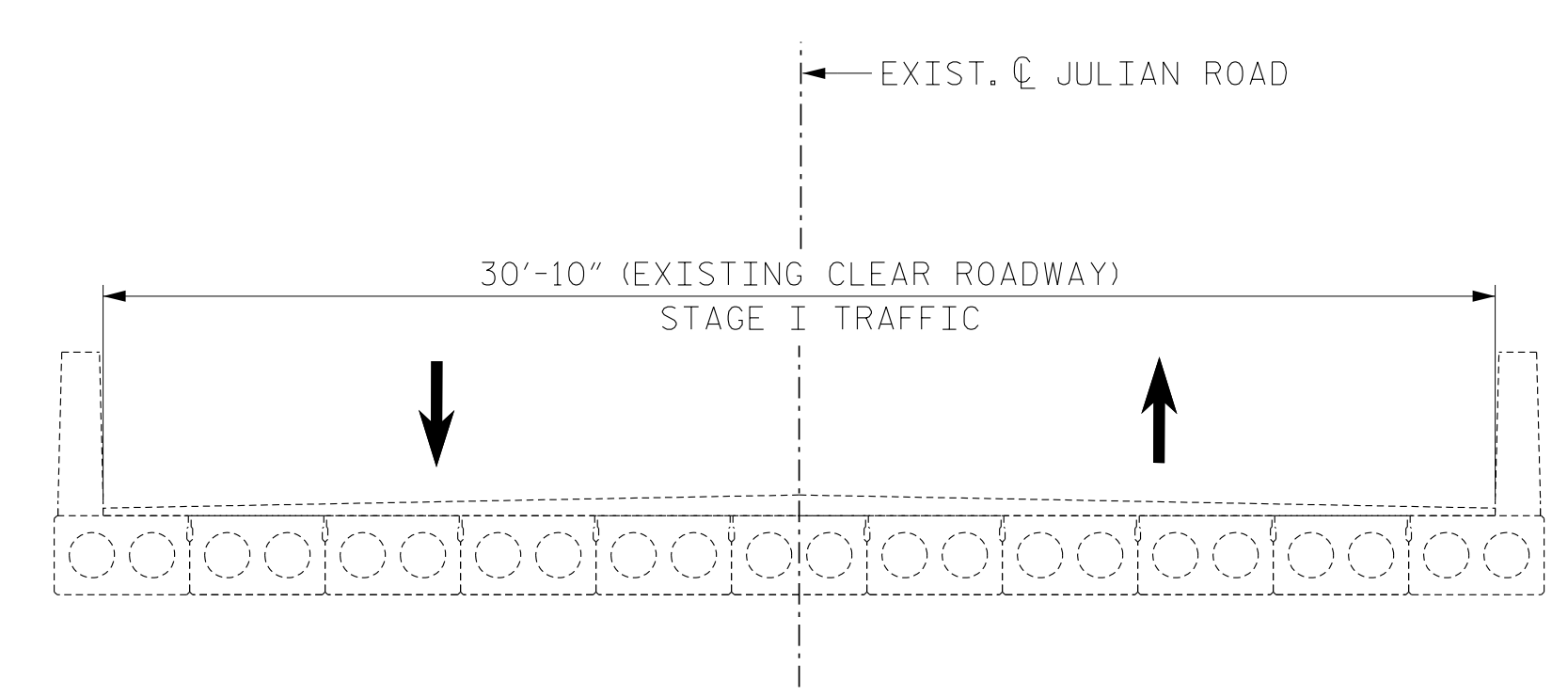


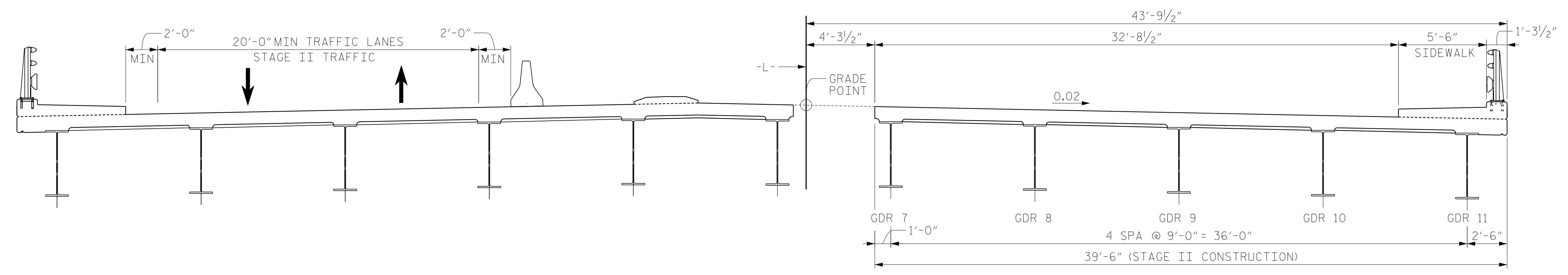
STAGE I CONSTRUCTION



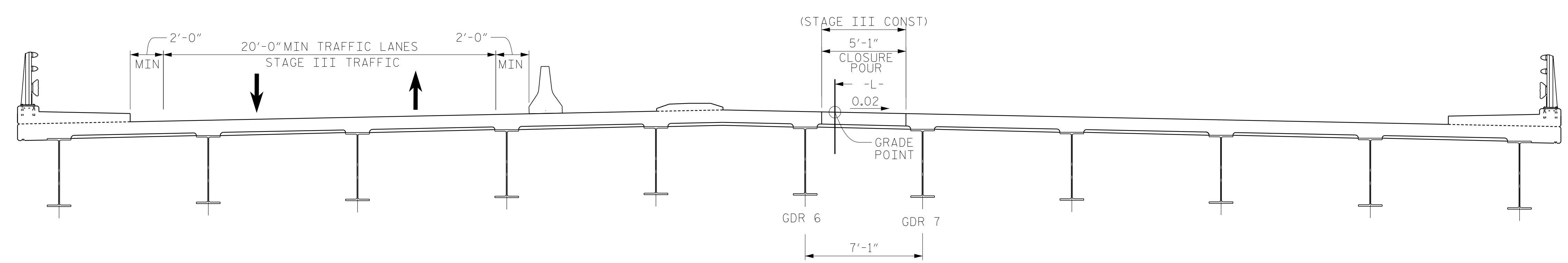
NOTE:  
SEE TRAFFIC CONTROL PLANS FOR LOCATION AND PAY LIMITS  
OF THE ANCHORED PORTABLE CONCRETE BARRIER.

CONSTRUCTION SEQUENCE

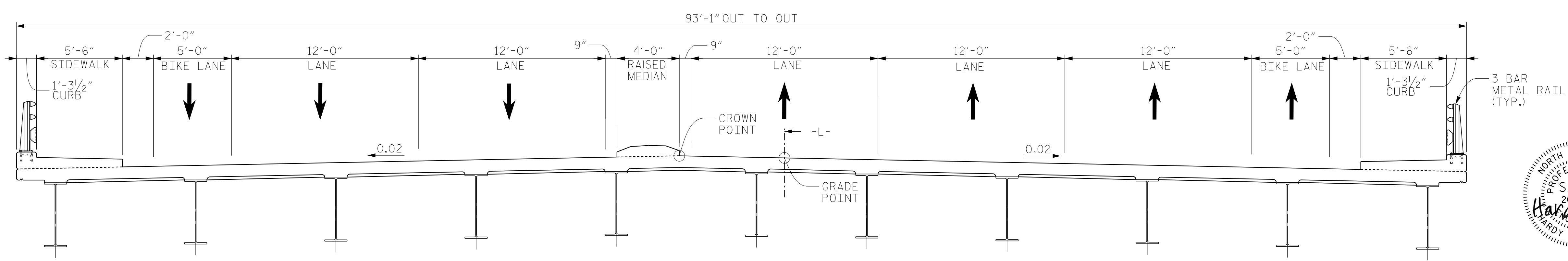
1. MAINTAIN TRAFFIC ON EXISTING BRIDGE.
2. CONSTRUCT LEFT SIDE OF PROPOSED BRIDGE, RAISED MEDIAN, AND LEFT SIDE APPROACH SLABS.
3. MOVE TRAFFIC ONTO LEFT SIDE OF NEW BRIDGE.
4. REMOVE EXISTING BRIDGE.
5. CONSTRUCT RIGHT SIDE OF PROPOSED BRIDGE.
6. CONTINUE TRAFFIC ON LEFT SIDE OF NEW BRIDGE AND CONSTRUCT CLOSURE POUR AND RIGHT SIDE APPROACH SLABS.
7. APPLY PAVEMENT MARKINGS. OPEN BRIDGE TO NORMAL TRAFFIC FLOW.



STAGE II CONSTRUCTION



STAGE III CONSTRUCTION



FINAL

**V&M**  
Vaughn & Melton  
Consulting Engineers  
Asheville, North Carolina  
828-253-2796

- Boone, NC 828-355-9933
- Tri-Cities, TN 423-467-8400
- Knoxville, TN 865-546-5800
- Spartanburg, SC 864-574-4775
- Charleston, SC 843-974-5650
- Middlesboro, KY 606-248-6600
- Raleigh, NC 919-977-9455
- Charlotte, NC 704-357-0488
- Atlanta, GA 770-627-3509

Copyright © 2006 Vaughn & Melton, Inc. All Rights Reserved

PROJECT NO. U-5738  
ROWAN COUNTY  
STATION: 70+72.50 -L-

STATE OF NORTH CAROLINA  
DEPARTMENT OF TRANSPORTATION  
RALEIGH

CONSTRUCTION SEQUENCE



12/13/2021

DOCUMENT NOT CONSIDERED  
FINAL UNLESS ALL  
SIGNATURES COMPLETED

DWN. BY: FRJ DATE: 11/18  
CHKD. BY: CDB DATE: 11/18  
DES. EGR. OF RECORD: CDB DATE: 11/18

REVISIONS						SHEET NO. S-5
NO.	BY:	DATE:	NO.	BY:	DATE:	
1			3			TOTAL SHEETS 39
2			4			