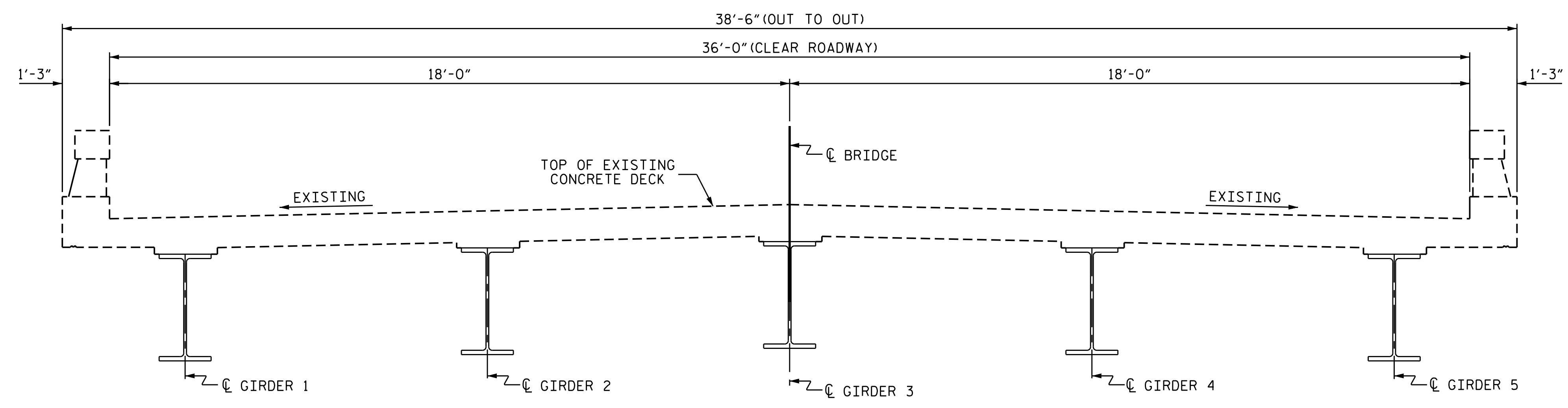
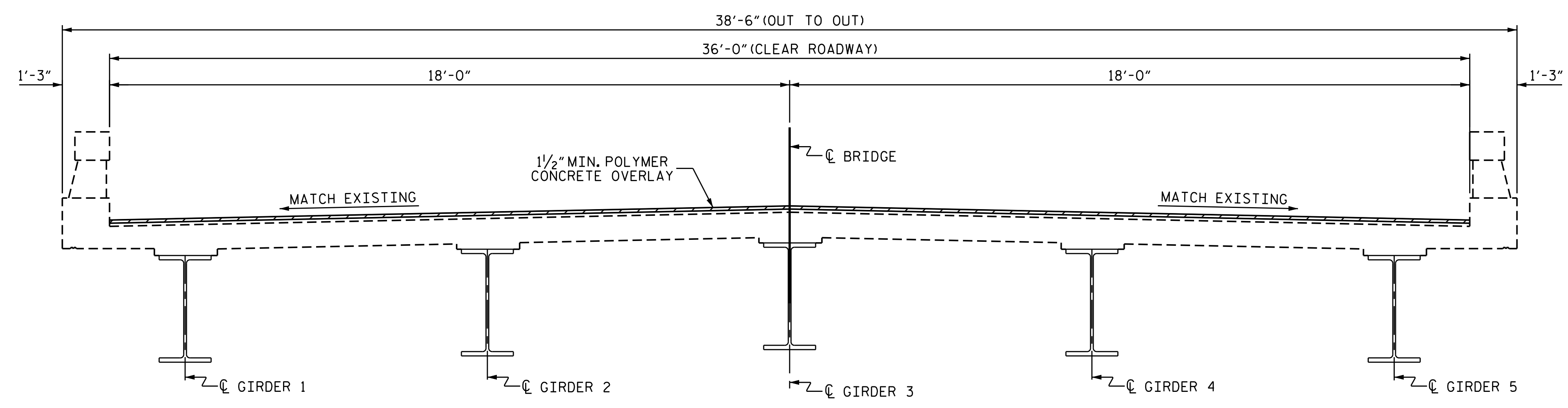


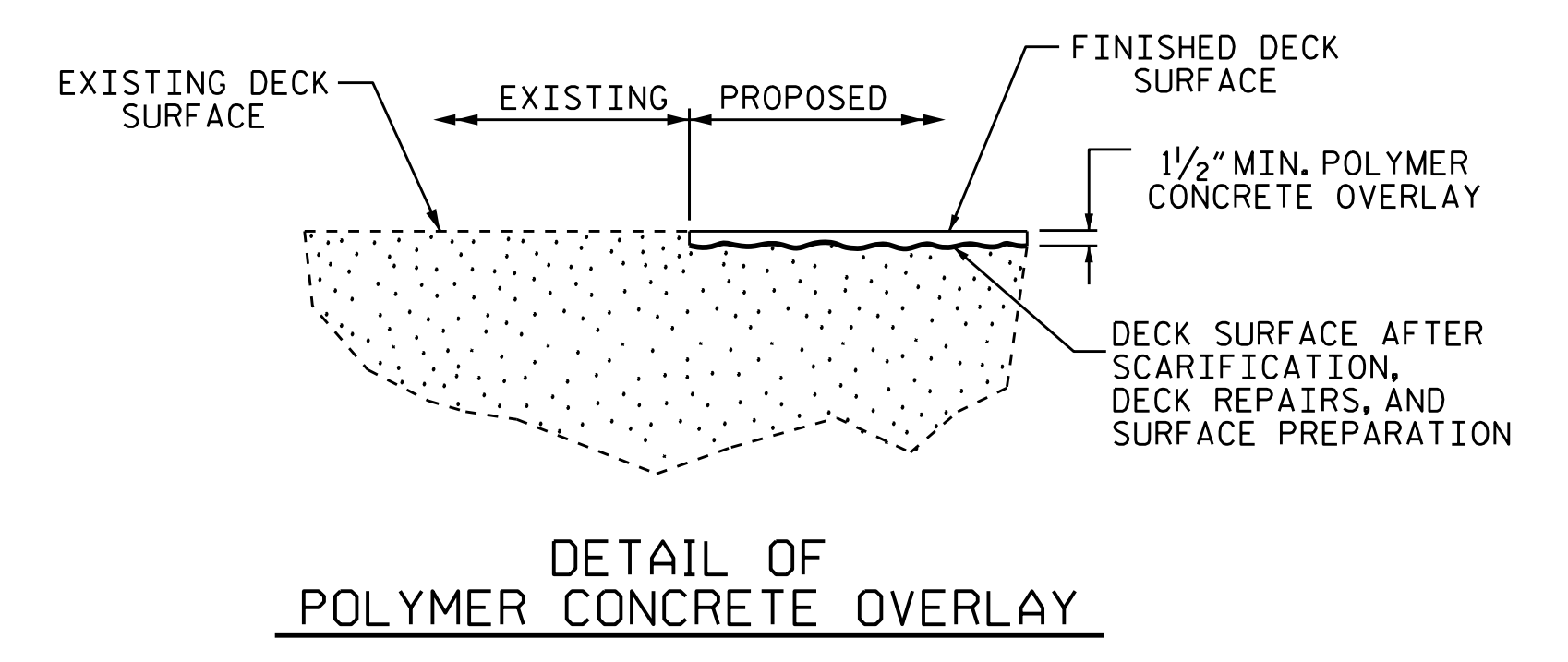
**NOTE:**  
 SEE TRAFFIC MANAGEMENT PLANS FOR LANE WIDTHS, SEQUENCING, AND OTHER TRAFFIC CONTROL MEASURES FOR STAGING OF POLYMER CONCRETE OVERLAY SYSTEM AND SURFACE PREPARATION.



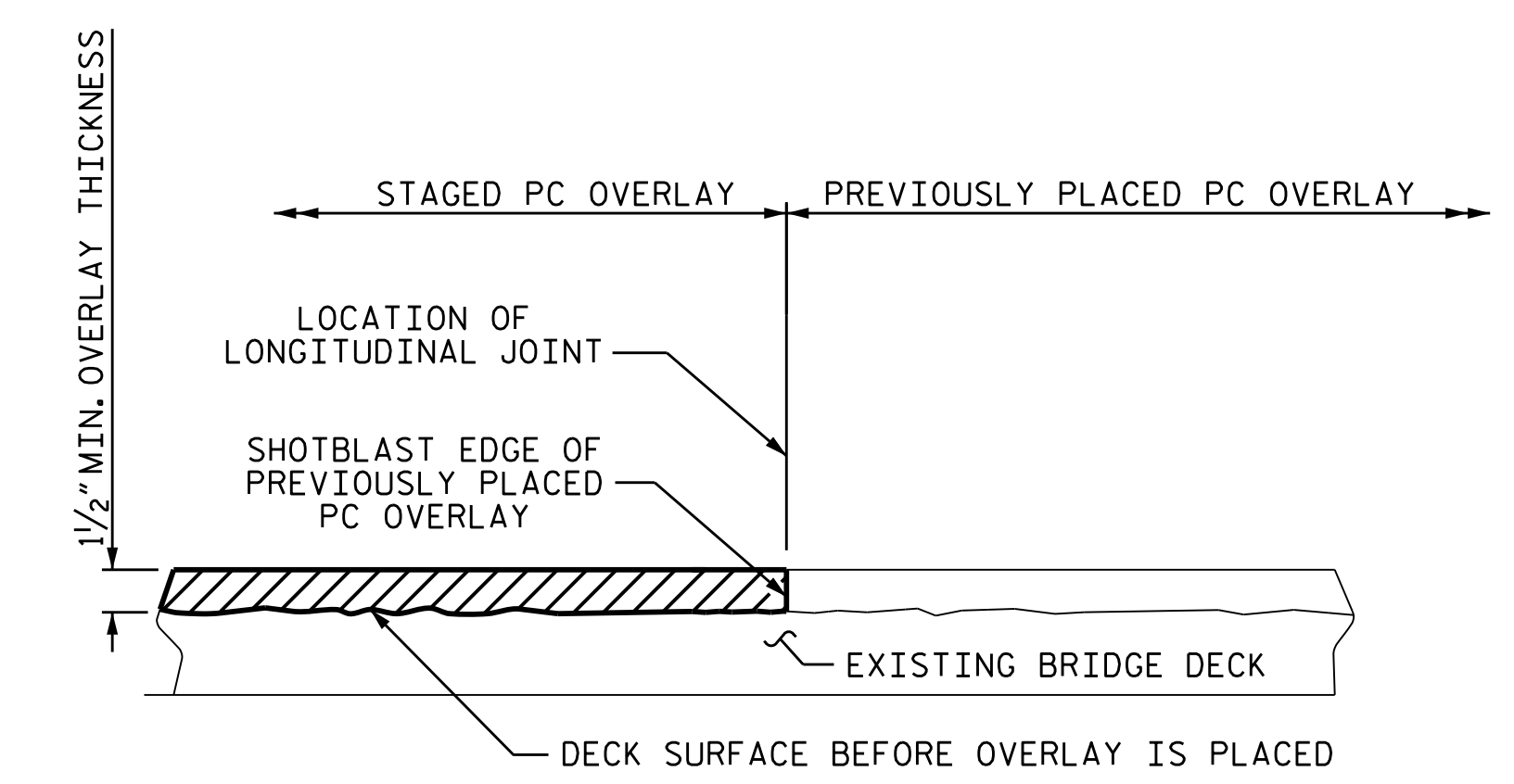
**TYPICAL SECTION**  
(EXISTING)



**TYPICAL SECTION**  
(PROPOSED)

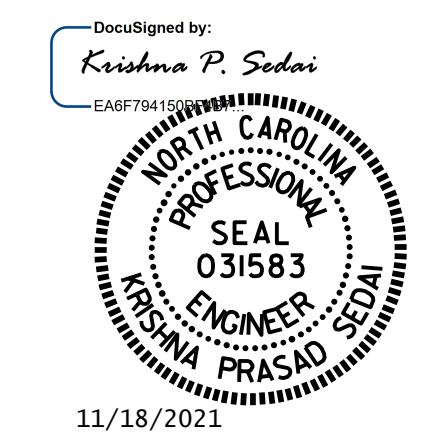


**DETAIL OF POLYMER CONCRETE OVERLAY**



**STAGED POLYMER CONCRETE (PC) OVERLAY JOINT**  
(AS NEEDED)

PROJECT NO. 15BPR.21  
MONTGOMERY COUNTY  
 BRIDGE NO. 610006



STATE OF NORTH CAROLINA  
 DEPARTMENT OF TRANSPORTATION  
 RALEIGH  
**TYPICAL SECTION & POLYMER CONCRETE OVERLAY DETAILS**

DRAWN BY : A. SORSENGINH DATE : 12/2018  
 CHECKED BY : E. BAYISSA DATE : 12/2018

REVISIONS						SHEET NO.
NO.	BY:	DATE:	NO.	BY:	DATE:	S1-4
1			3			TOTAL SHEETS
2			4			34

DOCUMENT NOT CONSIDERED FINAL UNLESS ALL SIGNATURES COMPLETED