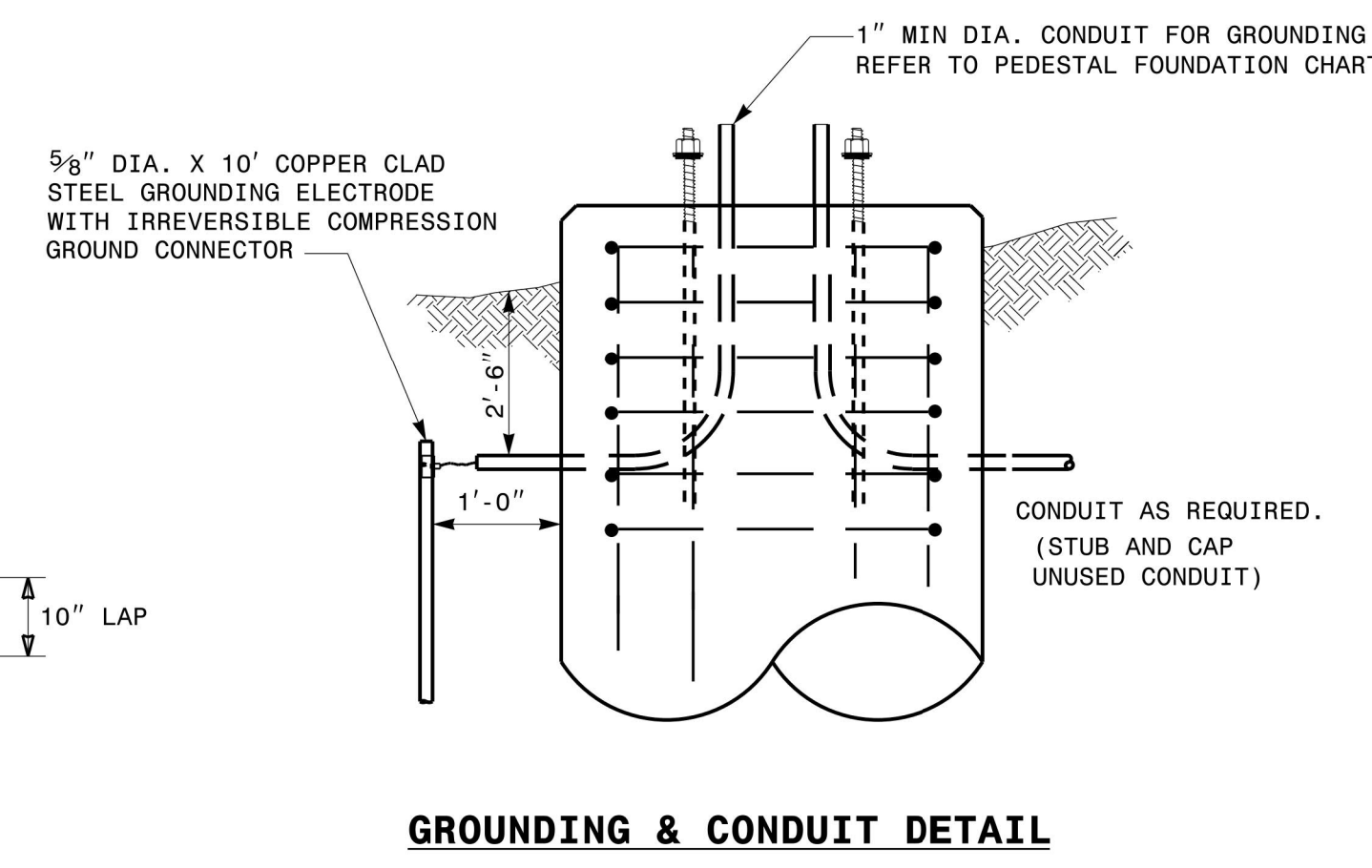
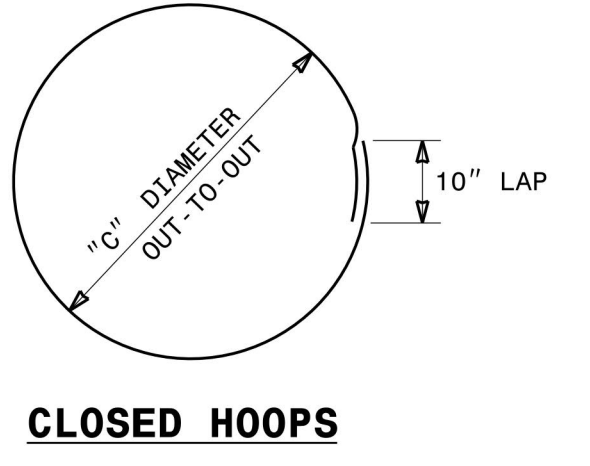
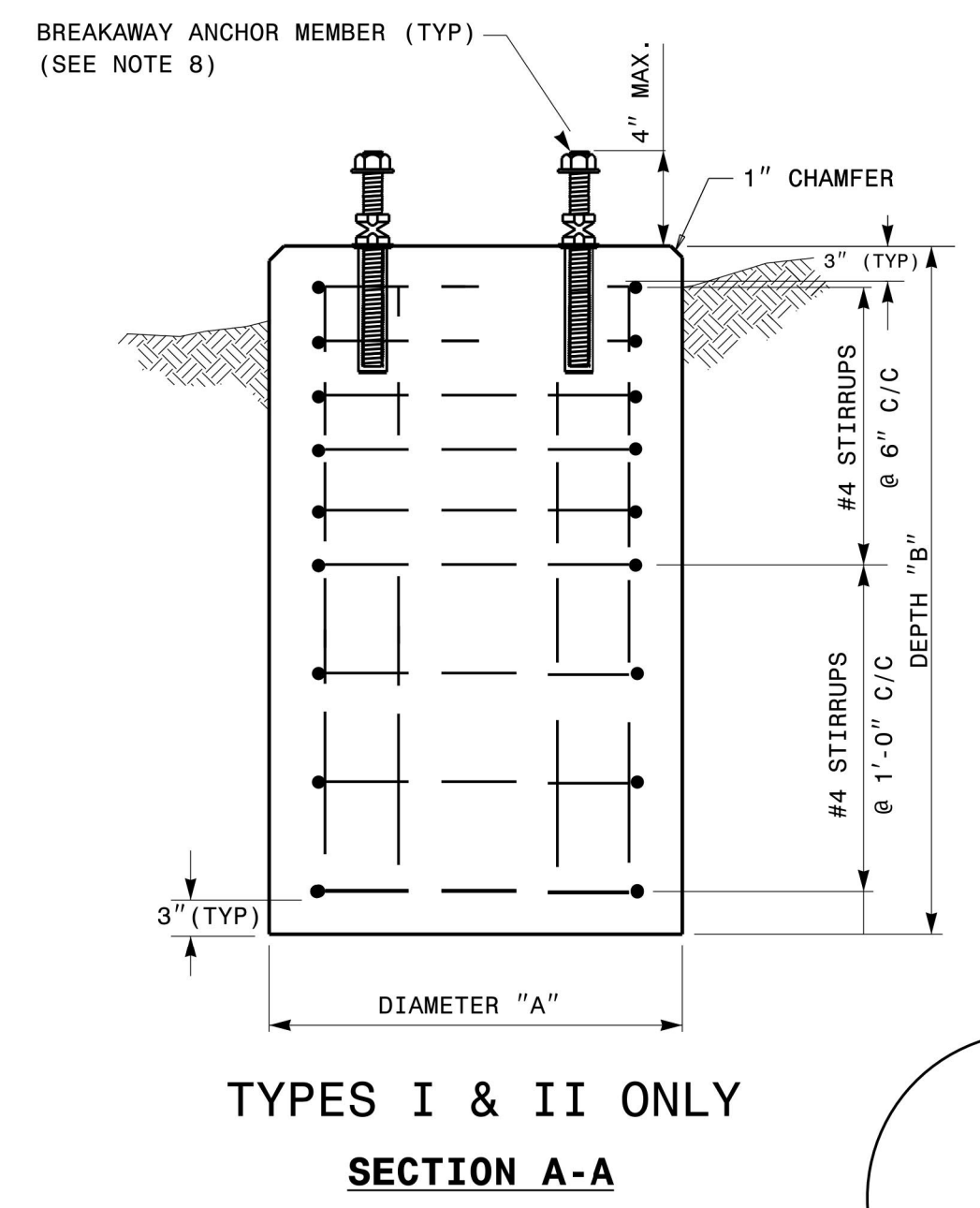
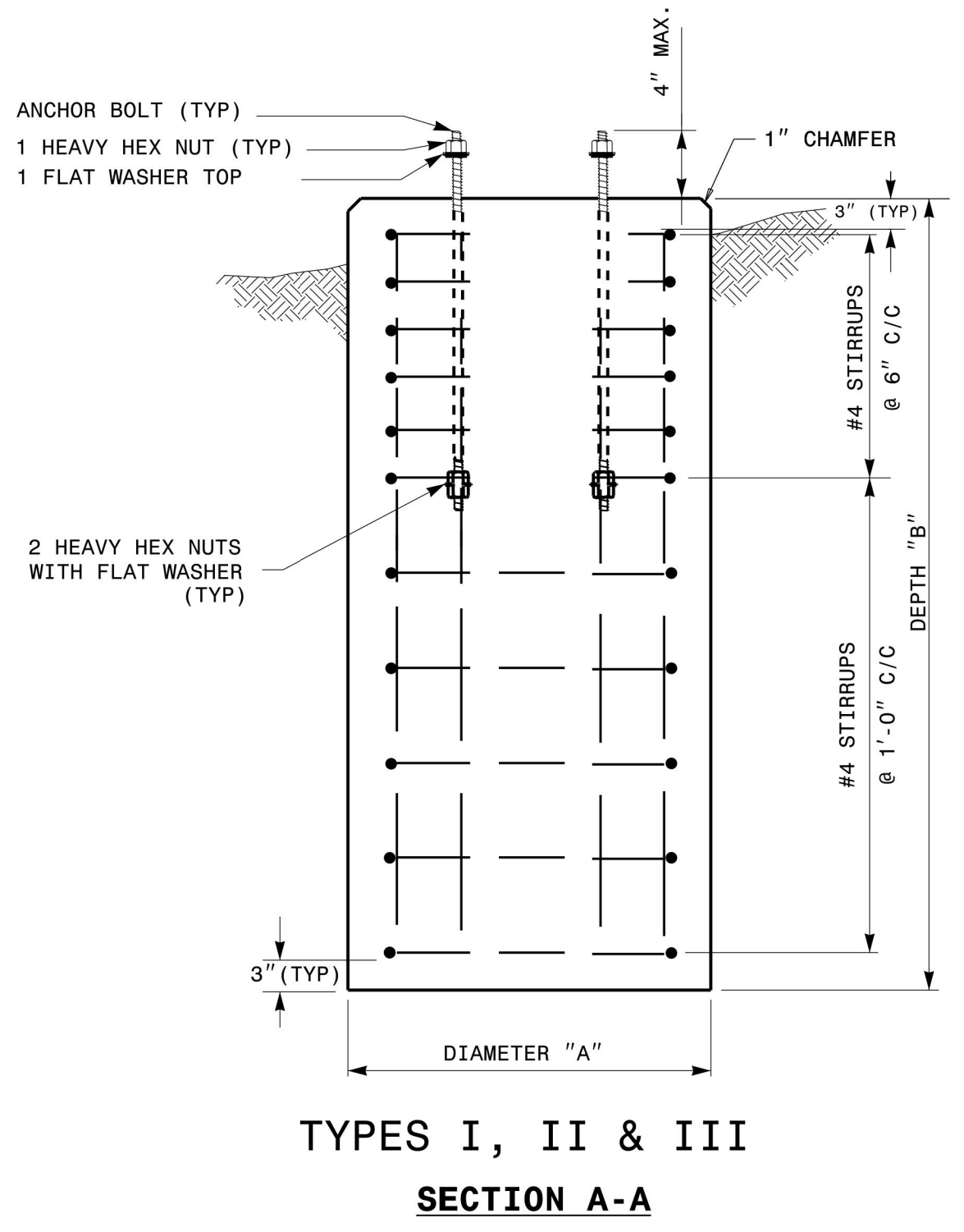


- NOTES:**
- CAST FOUNDATION AGAINST UNDISTURBED SOIL WHEREVER CONDITIONS PERMIT. IN UNSTABLE SOIL, CAST-IN-PLACE TUBE FORMS ARE ALLOWED WITH APPROVAL.
 - COMPLY WITH APPLICABLE PROVISIONS OF SECTION 825 FOR CONCRETE CONSTRUCTION.
 - USE CLASS "A" CONCRETE THAT MEETS THE REQUIREMENTS OF SECTION 1000 WITH A COMPRESSION STRENGTH AT 28 DAYS OF $F'_{c} = 3000$ PSI (MIN.).
 - USE ASTM GRADE 60 DEFORMED BARS FOR ALL REINFORCING STEEL.
 - GRADE IS ASSUMED TO BE (8H:1V) OR FLATTER. FOUNDATION SIZE AND DEPTHS ARE BASED ON THE FOLLOWING SOIL DESIGN PARAMETERS:
 - SANDY TYPE SOIL
 - NO GROUND WATER WITHIN 5'-0" OF SURFACE ELEVATION
 - WIND SPEED NOT TO EXCEED 140 MPH
 IF ACTUAL CONDITIONS VARY SUBSTANTIALLY FROM THOSE ASSUMED, THE FOUNDATION DEPTH MAY BE ADJUSTED. IN THIS CASE, CONTACT THE ENGINEER.
 - MAINTAIN AT LEAST 3" COVER ON ALL REINFORCEMENT.
 - ORIENT CONDUIT AS REQUIRED BY THE DESIGN OR AS DICTATED BY FIELD CONDITIONS.
 - USE ADHESIVE ANCHOR FOR THREADED COUPLING INSERT. FOR TYPE I MINIMUM DEPTH NECESSARY IS 0'-4 1/2" AND FOR TYPE II MINIMUM DEPTH NECESSARY IS 0'-6 5/8". FOLLOW MANUFACTURER'S INSTALLATION INSTRUCTIONS.



PEDESTAL FOUNDATION TYPE AND SIZE							
TYPE	PEDESTAL DESCRIPTION	SIZE			ANCHOR BOLT		INSTALL GROUNDING SYSTEM (YES/NO)
		DIAMETER "A" FT	DEPTH "B" FT	CONCRETE VOLUME CY	DIAMETER (MIN.) IN	LENGTH FT-IN	
I	PEDESTRIAN PUSHBUTTON	2'-0"	3'-6"	.41	1/2	1'-6"	NO
II	NORMAL-DUTY	2'-0"	5'-0"	.58	3/4	2'-0"	YES
III	HEAVY-DUTY	2'-6"	7'-0"	1.27	1	4'-0"	YES

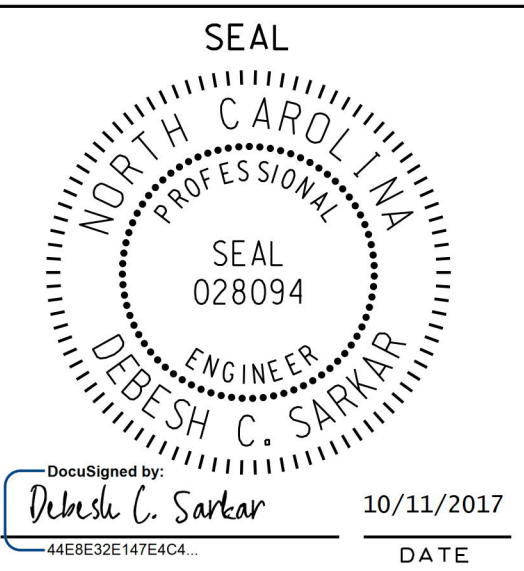
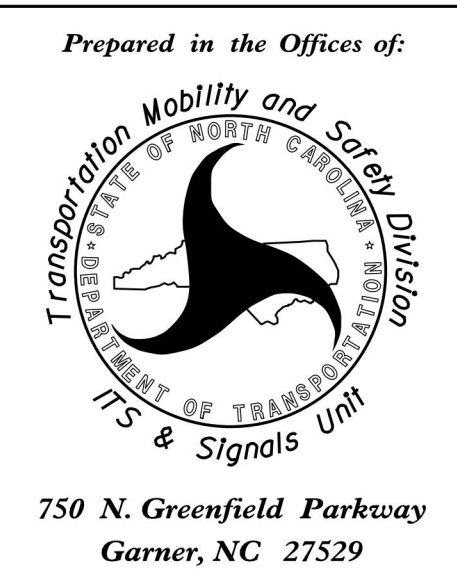
REINFORCING STEEL SCHEDULE												
TYPE	V-BAR				STIRRUP							
	SIZE #	QTY	LENGTH	WEIGHT LBS	QUANTITY			LENGTH	DIAMETER "C" FT	OVERLAP MIN.	WEIGHT LBS	TOTAL STEEL WEIGHT LBS
					VERTICAL ON 6" CENTERS	SPACING ON 12" CENTERS	TOTAL					
I	8	6	3'-0"	56	4	0	4	4	5'-7"	1'-6"	0'-10"	71
II	8	6	4'-6"	86	4	5	3	8	5'-7"	1'-6"	0'-10"	116
III	8	6	6'-6"	122	4	7	4	11	7'-2"	2'-0"	0'-10"	175

STATE OF NORTH CAROLINA
DEPT. OF TRANSPORTATION
RALEIGH, N.C.

ENGLISH STANDARD DRAWING FOR
PEDESTALS
FOUNDATIONS

SHEET 1 OF 1
1743D01

See Plate for Title



DOCUMENT NOT CONSIDERED
FINAL UNLESS ALL
SIGNATURES COMPLETED

750 N. Greenfield Parkway
Garner, NC 27529

DocuSigned by:
Debesh C. Sarkar
10/11/2017
DATE

11-0CT-2017_08x03
U:\2018_S14 Drawings\Plate Sheets\2018_Plate Sheet - .dgn
r:\rough